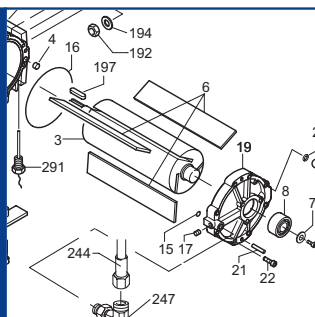


U 4.630


SERVICE

BECKER
D-42279 Wuppertal
www.becker-international.com

year XXXX
No **D** Index Variante

type **U 4.630-XX**

| | | |
|----------------|------|-------------------|
| frequency | XXXX | Hz |
| speed | XXXX | min ⁻¹ |
| power required | XXXX | kW |
| inlet capacity | XXXX | m ³ /h |
| pressure + | XXXX | mbar |
| vacuum - | XXXX | mbar |

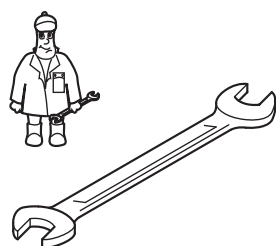
Made in Germany



Ersatzteilliste
Spare parts list
Liste de pièces de rechange
Listino pezzi di ricambio
Lista de piezas de recambio
Lista de peças sobresselentes
Reserveonderdelenlijst
Atsarginių dalių sąrašas
Varuosad nimekirja
Rezerves daļu saraksts

Reservedelsliste
Reservdelslista
Varaosuettelo
Reservedelsliste
Wykaz części zamiennych
Tartalékalkatrész lista
Seznam náhradních dílů
Seznam nadomestnih delov
Zoznam náhradných dielov
Rezervni dijelovi popis

Lista pieselor de schimb
Páirteanna spártha liosta
Κατάλογος ανταλλακτικών
Yedek parça listesi
Списък на резервните части
Перечень запасных частей
スペアパーツリスト
예비 부품 목록
备用零件目录



| Pos. | Menge ²⁾ Quantity Quantité Quantità Cantidad | Bestell-Nr. Ident No. No. Identification No. Identificazione No. de pedido | Bezeichnung Description Designation Designazione Descripción |
|------|---|--|--|
| □ | 1 | 549000 26700 | Dichtungssatz, Complete set of seals, Jeu de joints, Kit di guarnizioni, Junta Completa |
| 6 | SATZ/KIT | 900581 00003 | Schieber, Rotor Vane, Palette, Empujador |
| 89 | 2 | 965411 00000 | Luftentölelement, Oil separating element, Element separation huile, Cartuccia sepa-ratore olio, Elemento de desaceitar de aire |
| 94 | 3 | 506000 12900 | Grobabscheider, Coarse separator, Separateur a gros, Separatore grossolano, Separador de solidos gruesos |

²⁾ erforderliche Bestellmenge / necessary order quantity / quantité nécessaire / quantità di ordinazione necessari / cantidad necesario

Wartung
Maintenance
Entretien
Manutenzione
Mantenimiento



U 4.630

Standard



Variante



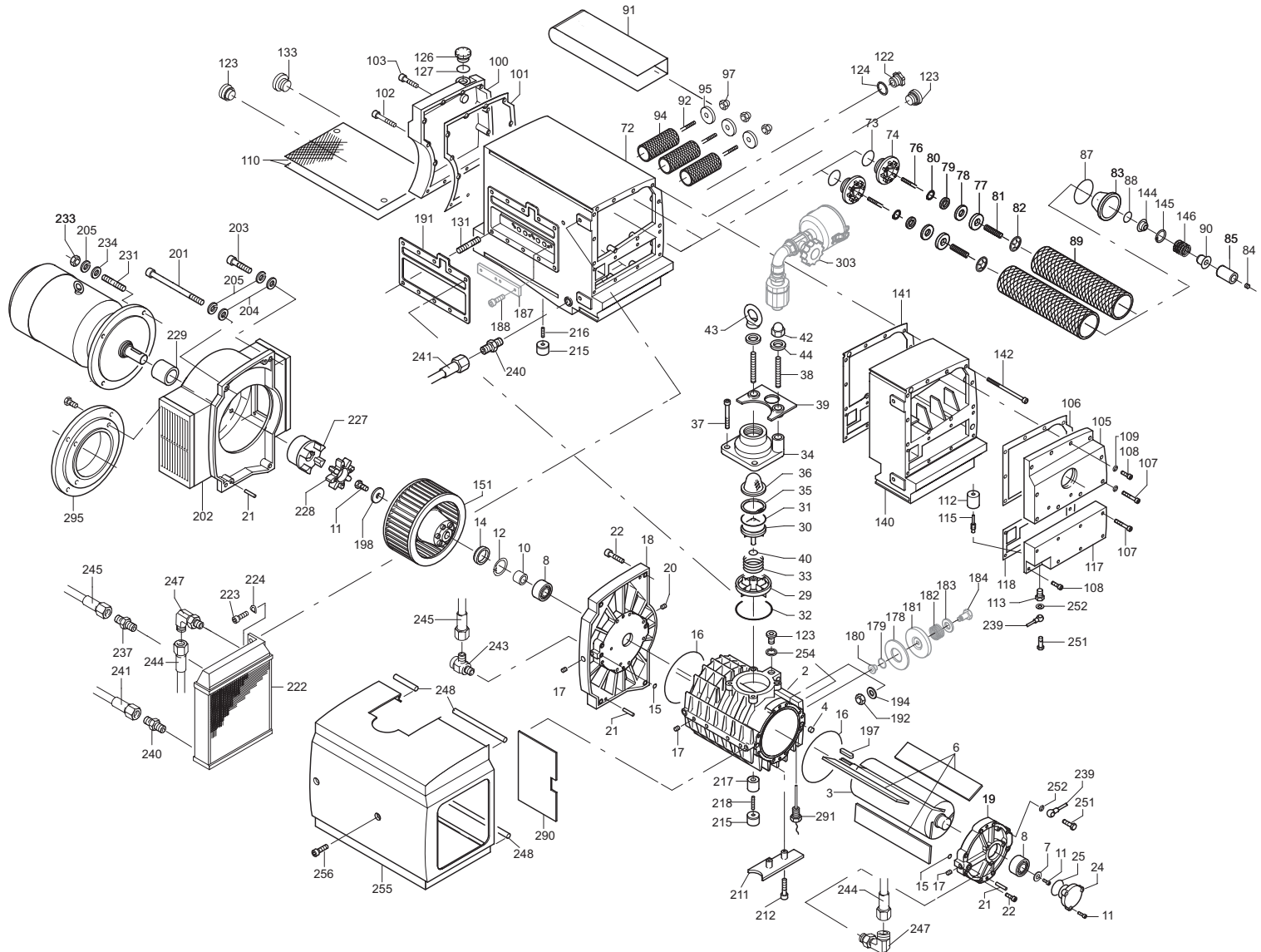
U 4.630/XX

①
U 4.630 F/K

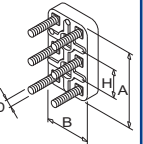
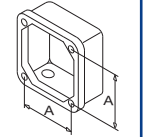
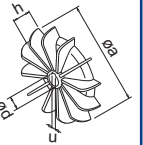
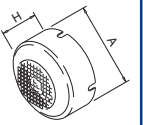
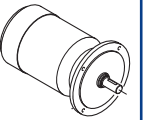
②
U 4.630 SA/K-25 + F/K-25

③ ④
U 4.630 SA/K-25 + F/K-25

⑤ ⑥
U 4.630 SA/K-51 + F/K-51



SERVICE ?






| D INDEX | Pos. | Bestell Nr. | Beschreibung | DE |
|------------|--------------|-------------------------------------|---|----|
| | | | | |
| U 4.630 | □ | 549000 26700 | DICHTUNGSSATZ ¹⁾ | |
| | 2 | 000101 26700 | GEHÄUSE | |
| | 3 | 020001 26700 | KOLBEN | |
| | 4 | 912818 00000 | VERSCHLUSSDECKEL | |
| | 6 | 900581 00003 | KUNSTSTOFFSCHIEBER (SATZ) ²⁾ | |
| | 7 | 016803 26600 | SPANNSCHEIBE | |
| | 8 | 906605 00000 | NADELLAGER | |
| | 10 | 906600 00800 | INNENRING | |
| | 11 | 945270 00000 | INNENSECHSKANTSCHRAUBE | |
| | 12 | 948209 10000 | SEEGER-RING | |
| | 14 | 906530 00000 | WELLENDICHTRING | |
| | 17 | 912871 00000 | VERSCHLUSS-SCHRAUBE | |
| | 18 | 000801 26600 | SEITENDECKEL | |
| | 19 | 000701 26600 | SEITENDECKEL | |
| | 20 | 912820 00000 | VERSCHLUSSDECKEL | |
| | 21 | 948744 00000 | KERBSTIFT | |
| | 22 | 945390 00000 | INNENSECHSKANTSCHRAUBE | |
| 24 | 005604 26600 | DECKEL | | |
| 29 | 029100 26600 | VENTILTRÄGER | | |
| 30 | 033904 26600 | VENTILPLATTE | | |
| 33 | 928603 10000 | DRUCKFEDER | | |
| 34 | 007800 26600 | GEWINDEFLANSCH | | |
| 35 | 948225 00000 | SICHERUNGSRING | | |
| 36 | 008000 26600 | SIEB | | |
| 37 | 945351 00000 | INNENSECHSKANTSCHRAUBE | | |
| 38 | 946967 00000 | STIFTSCHRAUBE | | |
| 39 | 003700 26600 | DECKEL | | |
| 42 | 947410 00000 | HUTMUTTER | | |
| 43 | 951604 00000 | RINGMUTTER | | |
| 44 | 947514 00000 | U-SCHEIBE | | |
| 72 | 002402 26600 | ÖLABSCHEIDERGEHÄUSE | | |
| 74 | 022800 26600 | FILTERTRAEGER | | |
| 76 | 951047 02000 | STIFTSCHRAUBE | | |
| 77 | 033901 26600 | VENTILPLATTE | | |
| 79 | 917551 04000 | PASS-SCHEIBE | | |
| 80 | 948128 04000 | SEEGERRING | | |
| 81 | 928602 80000 | DRUCKFEDER | | |
| 82 | 950185 00000 | KLEMMSCHEIBE | | |
| 83 | 005603 26600 | DECKEL | | |
| 84 | 945637 00000 | GEWINDESTIFT | | |
| 85 | 068010 26600 | SECHSKANTMUTTER | | |
| 89 | 965411 00000 | LUFTENTÖLELEMENT (2x) ²⁾ | | |
| 90 | 068008 26600 | DISTANZSTÜCK | | |
| 91 | 518301 26700 | HAUBE | | |
| 92 | 951041 02000 | STIFTSCHRAUBE | | |
| 94 | 506000 12900 | GROBABSCHIEDER (3x) ²⁾ | | |
| 95 | 905600 21900 | DECKEL | | |
| 97 | 947402 00000 | HUTMUTTER | | |
| 100 | 002504 26600 | ÖLABSCHEIDERDECKEL | | |
| 102 | 945391 00000 | INNENSECHSKANTSCHRAUBE | | |
| 103 | 945392 00000 | INNENSECHSKANTSCHRAUBE | | |
| 105 | 002500 26600 | ÖLABSCHEIDERDECKEL | | |
| 107 | 945395 00000 | INNENSECHSKANTSCHRAUBE | | |
| 108 | 945394 00000 | INNENSECHSKANTSCHRAUBE | | |
| 110 | 008003 26600 | SIEB | | |
| 112 | 867800 99559 | SCHWIMMER | | |
| 113 | 912300 00000 | ANSCHLUSS-SCHRAUBE | | |
| 115 | 003300 10700 | DÜSE | | |
| 117 | 002501 26600 | ÖLABSCHEIDERDECKEL | | |

| D INDEX | Pos. | Bestell Nr. | Beschreibung | DE |
|------------|------|--------------|---|----|
| | | | | |
| | 122 | 907309 00000 | ÖLSCHAUGLAS | |
| | 123 | 951220 00100 | VERSCHLUSS-SCHRAUBE | |
| | 126 | 916800 10000 | SCHRAUBDECKEL | |
| | 131 | 946945 00000 | STIFTSCHRAUBE | |
| | 133 | 951221 00100 | VERSCHLUSS-SCHRAUBE | |
| | 140 | 002501 26700 | ÖLABSCHEIDERDECKEL | |
| | 142 | 945396 00000 | INNENSECHSKANTSCHRAUBE | |
| | 144 | 068006 26600 | DISTANZSTÜCK | |
| | 145 | 948215 00000 | SEEGER-RING | |
| | 146 | 928603 30000 | DRUCKFEDER | |
| | 151 | 502301 26700 | VENTILATOR KOMPLETT | |
| | 178 | 030701 26600 | VENTILSCHEIBE | |
| | 192 | 947107 00000 | SECHSKANTMUTTER | |
| | 194 | 948516 00000 | FEDERRING | |
| | 197 | 947820 00000 | PASSFEDER | |
| | 198 | 016803 26600 | SCHEIBE | |
| | 201 | 945310 10000 | INNENSECHSKANTSCHRAUBE | |
| | 202 | 053200 26700 | LATERNE | |
| | 203 | 945388 00000 | INNENSECHSKANTSCHRAUBE | |
| | 204 | 947515 00000 | U-SCHEIBE | |
| | 205 | 948511 00000 | FEDERRING | |
| | 211 | 003701 26600 | DECKEL | |
| | 212 | 945333 00000 | INNENSECHSKANTSCHRAUBE | |
| | 215 | 741341 00000 | GUMMIPUFFER | |
| | 216 | 945633 00000 | GEWINDESTIFT | |
| | 217 | 068001 26600 | DISTANZSTÜCK | |
| | 218 | 946811 00000 | STIFTSCHRAUBE | |
| | 222 | 560200 26700 | KÜHLER, KOMPLETT | |
| | 223 | 945348 00000 | INNENSECHSKANTSCHRAUBE | |
| | 224 | 951710 00000 | FEDERSCHEIBE | |
| | 227 | 902104 26700 | MOTORKUPPLUNG | |
| | 228 | 902232 00000 | KUPPLUNGSSCHEIBE | |
| | 229 | 068005 26700 | DISTANZSTÜCK | |
| | 231 | 946962 00000 | STIFTSCHRAUBE | |
| | 233 | 947109 00000 | SECHSKANTMUTTER | |
| | 234 | 947509 00000 | U-SCHEIBE | |
| | 237 | 972308 00000 | ERMETO-VERSCHRAUBUNG | |
| | 239 | 512200 26600 | ÖLRÜCKFÜHRLEITUNG | |
| | 240 | 972305 00000 | ERMETO-VERSCHRAUBUNG | |
| | 241 | 012204 26700 | LEITUNG | |
| | 243 | 761703 01000 | ERMETO-VERSCHRAUBUNG | |
| | 244 | 012206 26600 | LEITUNG | |
| | 245 | 012205 26700 | LEITUNG | |
| | 247 | 961709 00000 | WINKEL | |
| | 248 | 064101 57000 | PROFILGUMMI | |
| | 251 | 009400 19000 | KUGELSTÜCKSCHRAUBE | |
| | 255 | 518302 26700 | HAUBE | |
| | 256 | 945389 00000 | INNENSECHSKANTSCHRAUBE | |
| | 290 | 060900 26600 | DÄMPFUNGMATTE | |
| | 291 | 943400 90000 | TEMPERATURFÜHLER | |
| | 303 | 768704 99626 | GASBALLASTVENTIL - OPTIONAL | |
| | | 960009 00200 | BECKER LUBE M 100 (MINERALÖL) - 5L | |
| | | 960016 00200 | BECKER LUBE S 100 (SYNTHETIKÖL) - 5L | |
| | | 960023 00200 | BECKER LUBE SL 100 (LEBENSMITTELBEREICH) - 5L | |

¹⁾ Dichtungssatz - 549000 26700 - Pos.: 15, 16, 25, 31, 32, 40, 73, 87, 88, 101, 106, 109, 118, 124, 127, 141, 191, 252, 254

²⁾ erforderliche Bestellmenge / Wartung

| D INDEX | Pos. | Ident No. | Description |  |
|------------|--------------|--|--|---|
| | | | | |
| U 4.630 | □ | 549000 26700 | SET OF SEALS ¹⁾ | |
| | 2 | 000101 26700 | PUMP-BODY | |
| | 3 | 020001 26700 | ROTOR | |
| | 4 | 912818 00000 | COVER LID | |
| | 6 | 900581 00003 | PLASTIC VANES (KIT) ²⁾ | |
| | 7 | 016803 26600 | SPRING WASHER | |
| | 8 | 906605 00000 | BEARING | |
| | 10 | 906600 00800 | INTERIOR RING | |
| | 11 | 945270 00000 | SOCKET HEAD SCREW | |
| | 12 | 948209 10000 | SEEGER-LOCKRING | |
| | 14 | 906530 00000 | SHAFT SEALING RING | |
| | 17 | 912871 00000 | LOCKING SCREW | |
| | 18 | 000801 26600 | LID | |
| | 19 | 000701 26600 | LID | |
| | 20 | 912820 00000 | COVER LID | |
| | 21 | 948744 00000 | GROOVED PIN | |
| | 22 | 945390 00000 | SOCKET HEAD SCREW | |
| 24 | 005604 26600 | COVER | | |
| 29 | 029100 26600 | VALVE SUPPORT | | |
| 30 | 033904 26600 | VALVE PLATE | | |
| 33 | 928603 10000 | PRESSURE SPRING | | |
| 34 | 007800 26600 | FLANGE | | |
| 35 | 948225 00000 | LOCKING RING | | |
| 36 | 008000 26600 | SIEVE | | |
| 37 | 945351 00000 | SOCKET HEAD SCREW | | |
| 38 | 946967 00000 | STUD | | |
| 39 | 003700 26600 | COVER | | |
| 42 | 947410 00000 | CAP NUT | | |
| 43 | 951604 00000 | RING UNIT | | |
| 44 | 947514 00000 | WASHER | | |
| 72 | 002402 26600 | HOUSING FOR OIL SEPARATION | | |
| 74 | 022800 26600 | FILTER HOLDER | | |
| 76 | 951047 02000 | STUD | | |
| 77 | 033901 26600 | VALVE PLATE | | |
| 79 | 917551 04000 | DISTANCE DISC | | |
| 80 | 948128 04000 | SEEGER LOCKRING | | |
| 81 | 928602 80000 | PRESSURE SPRING | | |
| 82 | 950185 00000 | SEEGER-LOCKRING | | |
| 83 | 005603 26600 | COVER | | |
| 84 | 945637 00000 | THREADED PIN | | |
| 85 | 068010 26600 | HEX.NUT | | |
| 89 | 965411 00000 | OIL SEPARATION ELEMENT (2x) ²⁾ | | |
| 90 | 068008 26600 | SPACER BLOCK | | |
| 91 | 518301 26700 | PROTECTING HOOD | | |
| 92 | 951041 02000 | STUD | | |
| 94 | 506000 12900 | COARSE SEPARATOR (3x) ²⁾ | | |
| 95 | 905600 21900 | LID | | |
| 97 | 947402 00000 | CAP NUT | | |
| 100 | 002504 26600 | OIL SEPARATOR COVER | | |
| 102 | 945391 00000 | SOCKET HEAD SCREW | | |
| 103 | 945392 00000 | SOCKET HEAD SCREW | | |
| 105 | 002500 26600 | OIL SEPARATOR COVER | | |
| 107 | 945395 00000 | SOCKET HEAD SCREW | | |
| 108 | 945394 00000 | SOCKET HEAD SCREW | | |
| 110 | 008003 26600 | SIEVE | | |
| 112 | 867800 99559 | FLOAT | | |
| 113 | 912300 00000 | CONNECTING SCREW | | |
| 115 | 003300 10700 | NOZZLE | | |
| 117 | 002501 26600 | OIL SEPARATOR COVER | | |

| D INDEX | Pos. | Ident No. | Description |  |
|------------|---|--------------|---|--|
| | | | | |
| | 122 | 907309 00000 | OIL SIGHT GLASS | |
| | 123 | 951220 00100 | LOCKING SCREW | |
| | 126 | 916800 10000 | COVER | |
| | 131 | 946945 00000 | STUD | |
| | 133 | 951221 00100 | LOCKING SCREW | |
| | 140 | 002501 26700 | OIL SEPARATOR COVER | |
| | 142 | 945396 00000 | SOCKET HEAD SCREW | |
| | 144 | 068006 26600 | SPACER BLOCK | |
| | 145 | 948215 00000 | SEEGER-LOCKRING | |
| | 146 | 928603 30000 | PRESSURE SPRING | |
| | 151 | 502301 26700 | FAN | |
| | 178 | 030701 26600 | VALVE WASHER | |
| | 192 | 947107 00000 | HEX. NUT | |
| | 194 | 948516 00000 | SPRING WASHER | |
| | 197 | 947820 00000 | KEY | |
| | 198 | 016803 26600 | WASHER | |
| | 201 | 945310 10000 | SOCKET HEAD SCREW | |
| | 202 | 053200 26700 | CONNECTION FLANGE | |
| | 203 | 945388 00000 | SOCKET HEAD SCREW | |
| | 204 | 947515 00000 | WASHER | |
| | 205 | 948511 00000 | SPRING WASHER | |
| | 211 | 003701 26600 | COVER | |
| | 212 | 945333 00000 | SOCKET HEAD SCREW | |
| | 215 | 741341 00000 | RUBBER BUFFER | |
| | 216 | 945633 00000 | THREADED PIN | |
| | 217 | 068001 26600 | SPACING COLLAR | |
| | 218 | 946811 00000 | STUD | |
| | 222 | 560200 26700 | COOLER | |
| | 223 | 945348 00000 | SOCKET HEAD SCREW | |
| | 224 | 951710 00000 | SPRING DISC | |
| | 227 | 902104 26700 | MOTOR COUPLING | |
| | 228 | 902232 00000 | COUPLING DISC | |
| | 229 | 068005 26700 | SPACING COLLAR | |
| | 231 | 946962 00000 | STUD | |
| | 233 | 947109 00000 | HEX. NUT | |
| | 234 | 947509 00000 | WASHER | |
| | 237 | 972308 00000 | THREADED JOINT | |
| | 239 | 512200 26600 | OIL RETURN PIPE | |
| | 240 | 972305 00000 | THREADED JOINT | |
| | 241 | 012204 26700 | PIPE | |
| | 243 | 761703 01000 | THREADED JOINT | |
| | 244 | 012206 26600 | PIPE | |
| | 245 | 012205 26700 | PIPE | |
| | 247 | 961709 00000 | ELBOW | |
| | 248 | 064101 57000 | RUBBER PROFIL | |
| | 251 | 009400 19000 | HOLLOW HOLDING SCREW | |
| | 255 | 518302 26700 | PROTECTING HOOD | |
| | 256 | 945389 00000 | SOCKET HEAD SCREW | |
| | 290 | 060900 26600 | SILENCER | |
| | 291 | 943400 90000 | TEMPERATURE PROBE | |
| | 303 | 768704 99626 | GAS BALLAST VALVE - OPTIONAL | |
| |  | 960009 00200 | BECKER LUBE M 100 (MINERAL OIL) - 5L | |
| | | 960016 00200 | BECKER LUBE S 100 (SYNTHETIC OIL) - 5L | |
| | | 960023 00200 | BECKER LUBE SL 100 (FOOD SECTOR) - 5L | |

¹⁾ Set of seals - 549000 26700 - Pos.: 15, 16, 25, 31, 32, 40, 73, 87, 88, 101, 106, 109, 118, 124, 127, 141, 191, 252, 254

²⁾ necessary order quantity / maintenance

| D INDICE | Pos. | No. Identification | Designation | FR | |
|-------------|--------------|---|--|----|--|
| | | | | | |
| U 4.630 | □ | 549000 26700 | JEU DE JOINTS ¹⁾ | | |
| | 2 | 000101 26700 | CARCASSE | | |
| | 3 | 020001 26700 | PISTON | | |
| | 4 | 912818 00000 | COUVERCLE | | |
| | 6 | 900581 00003 | PALETTE ON PLASTIQUE (KIT) ²⁾ | | |
| | 7 | 016803 26600 | RONDELLE DE SERRAGE | | |
| | 8 | 906605 00000 | ROULEMENT À AIGUILLES | | |
| | 10 | 906600 00800 | BAGUE INTERIEURE | | |
| | 11 | 945270 00000 | VIS HEXAGONALE INTERNE | | |
| | 12 | 948209 10000 | BAGUE DE SURETE | | |
| | 14 | 906530 00000 | BAGUE D'ETANCHEITE | | |
| | 17 | 912871 00000 | COUVERCLE | | |
| | 18 | 000801 26600 | COUVERCLE | | |
| | 19 | 000701 26600 | COUVERCLE | | |
| | 20 | 912820 00000 | BOUCHON | | |
| | 21 | 948744 00000 | GOUPILLE CYLINDRIQUE | | |
| | 22 | 945390 00000 | VIS HEXAGONALE INTERNE | | |
| 24 | 005604 26600 | COUVERCLE | | | |
| 29 | 029100 26600 | SUPPORT DE SOUPAPE | | | |
| 30 | 033904 26600 | CLAPET | | | |
| 33 | 928603 10000 | RESSORT DE PRESSION | | | |
| 34 | 007800 26600 | BRIDE | | | |
| 35 | 948225 00000 | BAGUE DE SURETE | | | |
| 36 | 008000 26600 | FILTRE | | | |
| 37 | 945351 00000 | VIS HEXAGONALE INTERNE | | | |
| 38 | 946967 00000 | TOURILLON | | | |
| 39 | 003700 26600 | COUVERCLE | | | |
| 42 | 947410 00000 | ECROU BORGNE | | | |
| 43 | 951604 00000 | ECROU A ANNEAU | | | |
| 44 | 947514 00000 | RONDELLE | | | |
| 72 | 002402 26600 | CARCASSE POUR SEPARATION D'HUILE | | | |
| 74 | 022800 26600 | SUPPORT FILTRE | | | |
| 76 | 951047 02000 | TOURILLON | | | |
| 77 | 033901 26600 | CLAPET | | | |
| 79 | 917551 04000 | DISQUE DE TOLERANCE | | | |
| 80 | 948128 04000 | BAGUE DE SURETE | | | |
| 81 | 928602 80000 | RESSORT DE PRESSION | | | |
| 82 | 950185 00000 | BAGUE DE SURETE | | | |
| 83 | 005603 26600 | COUVERCLE | | | |
| 84 | 945637 00000 | GOUPILLE FILETEE | | | |
| 85 | 068010 26600 | ECROU A 6PANS | | | |
| 89 | 965411 00000 | ELEMENT SEPARATION HUILE (2x) ²⁾ | | | |
| 90 | 068008 26600 | PIECE D'ECARTEMENT | | | |
| 91 | 518301 26700 | CARTER PROTECTEUR | | | |
| 92 | 951041 02000 | TOURILLON | | | |
| 94 | 506000 12900 | SEPARATEUR A GROS (3x) ²⁾ | | | |
| 95 | 905600 21900 | COUVERCLE | | | |
| 97 | 947402 00000 | ECROU BORGNE | | | |
| 100 | 002504 26600 | COUVERCLE SEPARATEUR D'HUILE | | | |
| 102 | 945391 00000 | VIS HEXAGONALE INTERNE | | | |
| 103 | 945392 00000 | VIS HEXAGONALE INTERNE | | | |
| 105 | 002500 26600 | COUVERCLE DU SEPARATEUR D'HUILE | | | |
| 107 | 945395 00000 | VIS HEXAGONALE INTERNE | | | |
| 108 | 945394 00000 | VIS HEXAGONALE INTERNE | | | |
| 110 | 008003 26600 | TAMIS | | | |
| 112 | 867800 99559 | PIED CAOUTCHOVE | | | |
| 113 | 912300 00000 | VIS DE RACCORD | | | |
| 115 | 003300 10700 | GICLEUR | | | |
| 117 | 002501 26600 | COUVERCLE DU SEPARATEUR D'HUILE | | | |

| D INDICE | Pos. | No. Identification | Designation | FR | |
|-------------|------|--------------------|---|----|--|
| | | | | | |
| | 122 | 907309 00000 | VERRE REGARD | | |
| | 123 | 951220 00100 | BOUCHON | | |
| | 126 | 916800 10000 | COUVERCLE | | |
| | 131 | 946945 00000 | PRISONNIER | | |
| | 133 | 951221 00100 | BOUCHON | | |
| | 140 | 002501 26700 | COUVERCLE SEPARATEUR D'HUILE | | |
| | 142 | 945396 00000 | VIS HEXAGONALE INTERNE | | |
| | 144 | 068006 26600 | PIECE D'ECARTEMENT | | |
| | 145 | 948215 00000 | BAGUE DE SURETE | | |
| | 146 | 928603 30000 | RESSORT DE PRESSION | | |
| | 151 | 502301 26700 | VENTILATEUR | | |
| | 178 | 030701 26600 | TETE DE SOUPAPE | | |
| | 192 | 947107 00000 | ECROU A 6 PANS | | |
| | 194 | 948516 00000 | ANNEAU RESSORT | | |
| | 197 | 947820 00000 | CLAVETTE | | |
| | 198 | 016803 26600 | RONDELLE | | |
| | 201 | 945310 10000 | VIS HEXAGONALE INTERNE | | |
| | 202 | 053200 26700 | BRIDE DE RACCORDEMENT | | |
| | 203 | 945388 00000 | VIS HEXAGONALE INTERNE | | |
| | 204 | 947515 00000 | RONDELLE | | |
| | 205 | 948511 00000 | ANNEAU RESSORT | | |
| | 211 | 003701 26600 | COUVERCLE | | |
| | 212 | 945333 00000 | VIS HEXAGONALE INTERNE | | |
| | 215 | 741341 00000 | AMORTISSEUR EN CAOUTCHOUC | | |
| | 216 | 945633 00000 | GOUPILLE FILETEE | | |
| | 217 | 068001 26600 | DONILLE D'ECARMENT | | |
| | 218 | 946811 00000 | TOURILLON | | |
| | 222 | 560200 26700 | REFROIDISSEUR | | |
| | 223 | 945348 00000 | VIS HEXAGONALE INTERNE | | |
| | 224 | 951710 00000 | DISQUE DE RESSORT | | |
| | 227 | 902104 26700 | ACCOUPLLEMENT MOTEUR | | |
| | 228 | 902232 00000 | DISQUE D'ACCOUPLLEMENT | | |
| | 229 | 068005 26700 | DONILLE D'ECARMENT | | |
| | 231 | 946962 00000 | TOURILLON | | |
| | 233 | 947109 00000 | ECROU A 6 PANS | | |
| | 234 | 947509 00000 | RONDELLE | | |
| | 237 | 972308 00000 | RACCORD A VIS | | |
| | 239 | 512200 26600 | TUYAU D'HUILE | | |
| | 240 | 972305 00000 | RACCORD A VIS | | |
| | 241 | 012204 26700 | TUYAU | | |
| | 243 | 761703 01000 | RACCORD A VIS | | |
| | 244 | 012206 26600 | TUYAU | | |
| | 245 | 012205 26700 | TUYAU | | |
| | 247 | 961709 00000 | COUDES | | |
| | 248 | 064101 57000 | CAOUTCHOUC PROFILE | | |
| | 251 | 009400 19000 | VIS CREUSE DE FIXATION | | |
| | 255 | 518302 26700 | CARTER PROTECTEUR | | |
| | 256 | 945389 00000 | VIS HEXAGONALE INTERNE | | |
| | 290 | 060900 26600 | AMORTISSEUR | | |
| | 291 | 943400 90000 | PALPEUR DE TEMPERATURE | | |
| | 303 | 768704 99626 | L'ESTE D'AIR - EN OPTION | | |
| | | 960009 00200 | BECKER LUBE M 100 (HUILE MINÉRALE) - 5L | | |
| | | 960016 00200 | BECKER LUBE S 100 (L'HUILE SYNTHÉTIQUE) - 5L | | |
| | | 960023 00200 | BECKER LUBE SL 100 (SECTEUR DE L'ALIMENTATION) - 5L | | |

¹⁾ Jeu de joints - 549000 26700 - Pos.: 15, 16, 25, 31, 32, 40, 73, 87, 88, 101, 106, 109, 118, 124, 127, 141, 191, 252, 254


²⁾ quantité nécessaire / entretien

| D INDICE | Pos. | No. Identificazione | Designazione | IT | |
|-------------|------|---------------------|---|----|--|
| | | | | | |
| U 4.630 | □ | 549000 26700 | SERIE DI GUARNIZIONE ¹⁾ | | |
| | 2 | 000101 26700 | CARCASSA | | |
| | 3 | 020001 26700 | ROTORE | | |
| | 4 | 912818 00000 | COPERCHIO | | |
| | 6 | 900581 00003 | PALETTE IN PLASTICA (KIT) ²⁾ | | |
| | 7 | 016803 26600 | RONDELLA DI SERRAGGIO | | |
| | 8 | 906605 00000 | CUSCINETTO AD AGHI | | |
| | 10 | 906600 00800 | ANELLO INTERNO | | |
| | 11 | 945270 00000 | VITE ESAGONALE INTERNA | | |
| | 12 | 948209 10000 | ANELLO DI SICUREZZA | | |
| | 14 | 906530 00000 | ANELLO DI TENUTA | | |
| | 17 | 912871 00000 | COPERCHIO | | |
| | 18 | 000801 26600 | COPERCHIO | | |
| | 19 | 000701 26600 | COPERCHIO | | |
| | 20 | 912820 00000 | TAPPO A VITE | | |
| | 21 | 948744 00000 | PERNO | | |
| | 22 | 945390 00000 | VITE ESAGONALE INTERNA | | |
| | 24 | 005604 26600 | COPERCHIO | | |
| | 29 | 029100 26600 | SEDE DELLA VALVOLA | | |
| | 30 | 033904 26600 | SUPPORTO VALVOLA | | |
| | 33 | 928603 10000 | MOLLA DELLA PRESSIONE | | |
| | 34 | 007800 26600 | FLANGIA | | |
| | 35 | 948225 00000 | ANELLO DI SICUREZZA | | |
| | 36 | 008000 26600 | FILTRO | | |
| | 37 | 945351 00000 | VITE ESAGONALE INTERNA | | |
| | 38 | 946967 00000 | L'ASTA A VITE | | |
| | 39 | 003700 26600 | COPERCHIO | | |
| | 42 | 947410 00000 | DADO CIECO | | |
| | 43 | 951604 00000 | GOLFARE CON FORO FILETTATO | | |
| | 44 | 947514 00000 | RONDELLA | | |
| | 72 | 002402 26600 | CARCASSE SEPARAZIONE OLIO | | |
| | 74 | 022800 26600 | SUPPORTO FILTRO | | |
| | 76 | 951047 02000 | L'ASTA A VITE | | |
| | 77 | 033901 26600 | SUPPORTO VALVOLA | | |
| | 79 | 917551 04000 | DISCO A DISTANZA | | |
| | 80 | 948128 04000 | ANELLO DI SICUREZZA | | |
| | 81 | 928602 80000 | MOLLA DELLA PRESSIONE | | |
| | 82 | 950185 00000 | ANELLO DI SICUREZZA | | |
| | 83 | 005603 26600 | COPERCHIO | | |
| | 84 | 945637 00000 | SPINA FILETTATURA | | |
| | 85 | 068010 26600 | DADO ESAGONALE | | |
| | 89 | 965411 00000 | CARTUCCIA SEPARATORE OLIO (2x) ²⁾ | | |
| | 90 | 068008 26600 | DISTANZIATORE | | |
| | 91 | 518301 26700 | CARTER DI PROTEZIONE | | |
| | 92 | 951041 02000 | L'ASTA A VITE | | |
| | 94 | 506000 12900 | SEPARATORE GROSSOLANO (3x) ²⁾ | | |
| | 95 | 905600 21900 | COPERCHIO | | |
| | 97 | 947402 00000 | DADO CIECO | | |
| | 100 | 002504 26600 | COPERCHIO SEPARATOR OLIO | | |
| | 102 | 945391 00000 | VITE ESAGONALE INTERNA | | |
| | 103 | 945392 00000 | VITE ESAGONALE INTERNA | | |
| | 105 | 002500 26600 | COPERCHIO SEPARATORE OLIO | | |
| | 107 | 945395 00000 | VITE ESAGONALE INTERNA | | |
| | 108 | 945394 00000 | VITE ESAGONALE INTERNA | | |
| | 110 | 008003 26600 | STACCIO | | |
| | 112 | 867800 99559 | GALLEGGIANTE | | |
| | 113 | 912300 00000 | ATTACO FILETTATO | | |
| | 115 | 003300 10700 | UGELLO | | |
| | 117 | 002501 26600 | COPERCHIO SEPARATORE OLIO | | |

| D INDICE | Pos. | No. Identificazione | Designazione | IT | |
|-------------|------|---------------------|---|----|--|
| | | | | | |
| | 122 | 907309 00000 | SPIA LIVELLO OLIO | | |
| | 123 | 951220 00100 | VITE DI CHIUSURA | | |
| | 126 | 916800 10000 | COPERCHIO | | |
| | 131 | 946945 00000 | L'ASTA A VITE | | |
| | 133 | 951221 00100 | VITE DI CHIUSURA | | |
| | 140 | 002501 26700 | COPERCHIO SEPARATORE OLIO | | |
| | 142 | 945396 00000 | VITE ESAGONALE INTERNA | | |
| | 144 | 068006 26600 | DISTANZIATORE | | |
| | 145 | 948215 00000 | ANELLO DI SICUREZZA | | |
| | 146 | 928603 30000 | MOLLA DELLA PRESSIONE | | |
| | 151 | 502301 26700 | VEENTILATORE | | |
| | 178 | 030701 26600 | DISCO DELLA VALVOLA | | |
| | 192 | 947107 00000 | DADO ESAGONALE | | |
| | 194 | 948516 00000 | RONDELLA GROWER | | |
| | 197 | 947820 00000 | CHIAVETTA | | |
| | 198 | 016803 26600 | RONDELLA | | |
| | 201 | 945310 10000 | VITE ESAGONALE INTERNA | | |
| | 202 | 053200 26700 | FLANGIA DI RACCORDE | | |
| | 203 | 945388 00000 | VITE ESAGONALE INTERNA | | |
| | 204 | 947515 00000 | RONDELLA PIANA | | |
| | 205 | 948511 00000 | RONDELLA GROWER | | |
| | 211 | 003701 26600 | COPERCHIO | | |
| | 212 | 945333 00000 | VITE ESAGONALE INTERNA | | |
| | 215 | 741341 00000 | AMMORTIZZATORE IN GOMMA | | |
| | 216 | 945633 00000 | VITE SENZA TESTA | | |
| | 217 | 068001 26600 | BOCCOLA DISTANZIATRICE | | |
| | 218 | 946811 00000 | VITE PRIGIONIERA | | |
| | 222 | 560200 26700 | RAFFREDDATORE | | |
| | 223 | 945348 00000 | VITE ESAGONALE INTERNA | | |
| | 224 | 951710 00000 | DISCO A MOLLA | | |
| | 227 | 902104 26700 | GIUNTO MOTORE | | |
| | 228 | 902232 00000 | DISCO GUINTO | | |
| | 229 | 068005 26700 | BOCCOLA DISTANZIATRICE | | |
| | 231 | 946962 00000 | VITE PRIGIONIERA | | |
| | 233 | 947109 00000 | DADO ESAGONALE | | |
| | 234 | 947509 00000 | RONDELLA PIANA | | |
| | 237 | 972308 00000 | RACCORDO A VITE | | |
| | 239 | 512200 26600 | CONDOTTO OLIO | | |
| | 240 | 972305 00000 | RACCORDO A VITE | | |
| | 241 | 012204 26700 | CONDOTTO | | |
| | 243 | 761703 01000 | RACCORDO A VITE | | |
| | 244 | 012206 26600 | CONDOTTO | | |
| | 245 | 012205 26700 | CONDOTTO | | |
| | 247 | 961709 00000 | GOMITO | | |
| | 248 | 064101 57000 | GOMMA PROFILOTO | | |
| | 251 | 009400 19000 | VITE PASSAGGIO OLIO | | |
| | 255 | 518302 26700 | CARTER DI PROTEZIONE | | |
| | 256 | 945389 00000 | VITE ESAGONALE INTERNA | | |
| | 290 | 060900 26600 | SILENZIATORE | | |
| | 291 | 943400 90000 | PALPATORE DI TEMPERATURA | | |
| | 303 | 768704 99626 | VALVOLA DI ZAVORATRICE - OPZIONALE | | |
| | | 960009 00200 | BECKER LUBE M 100 (OLIO MINERALE) - 5L | | |
| | | 960016 00200 | BECKER LUBE S 100 (OLIO SINTETICO) - 5L | | |
| | | 960023 00200 | BECKER LUBE SL 100 (SETTORE ALIMENTARE) - 5L | | |

¹⁾ Serie di guarnizione - 549000 26700 - Pos.: 15, 16, 25, 31, 32, 40, 73, 87, 88, 101, 106, 109, 118, 124, 127, 141, 191, 252, 254

²⁾ quantità di ordinazione necessari / manutenzione

| D INDICE | Pos. | No. De pedido | Descripción |  |
|-------------|------|---------------|--|---|
| U 4.630 | ■ | 549000 26700 | JUNTA COMPLETA ¹⁾ | |
| | 2 | 000101 26700 | CARCASA | |
| | 3 | 020001 26700 | ÉMBOLO | |
| | 4 | 912818 00000 | TAPA | |
| | 6 | 900581 00003 | DESPLAZADOR DE PLÁSTICO (KIT) ²⁾ | |
| | 7 | 016803 26600 | DISCO DE REFUERZO | |
| | 8 | 906605 00000 | COJINETE DE AGUJAS | |
| | 10 | 906600 00800 | ANILLO INTERIOR | |
| | 11 | 945270 00000 | TORNILLO HEXAGONAL INTERIOR | |
| | 12 | 948209 10000 | ANILLO DE RETENCIÓN | |
| | 14 | 906530 00000 | ANILLO DE JUNTA DE ÁRBOL | |
| | 17 | 912871 00000 | TAPA | |
| | 18 | 000801 26600 | TAPA LATERAL | |
| | 19 | 000701 26600 | TAPA LATERAL | |
| | 20 | 912820 00000 | TORNILLO DE CIERRE | |
| | 21 | 948744 00000 | PASADOR CILÍNDRICO ESTRIADO | |
| | 22 | 945390 00000 | TORNILLO HEXAGONAL INTERIOR | |
| | 24 | 005604 26600 | TAPA | |
| | 29 | 029100 26600 | SOPORTE DE VÁLVULA | |
| | 30 | 033904 26600 | PLACA DE VÁLVULA | |
| | 33 | 928603 10000 | MUELLE DE COMPRESIÓN | |
| | 34 | 007800 26600 | BRIDA ROSCADA | |
| | 35 | 948225 00000 | ANILLO DE ASEGURAMIENTO | |
| | 36 | 008000 26600 | CRIBA | |
| | 37 | 945351 00000 | TORNILLO HEXAGONAL INTERIOR | |
| | 38 | 946967 00000 | ESPÁRRAGO | |
| | 39 | 003700 26600 | TAPA | |
| | 42 | 947410 00000 | TUERCA DE CAPERUZA | |
| | 43 | 951604 00000 | TUERCA DE CÁNCAMO | |
| | 44 | 947514 00000 | ARANDELA | |
| | 72 | 002402 26600 | CARCASA DE SEPARADOR DE ACEITE | |
| | 74 | 022800 26600 | SOPORTE DE FILTRO | |
| | 76 | 951047 02000 | ESPÁRRAGO | |
| | 77 | 033901 26600 | PLACA DE VÁLVULA | |
| | 79 | 917551 04000 | ARANDELA DE AJUSTE | |
| | 80 | 948128 04000 | ANILLO DE RETENCIÓN | |
| | 81 | 928602 80000 | MUELLE DE COMPRESIÓN | |
| | 82 | 950185 00000 | ABRAZADERA DE APRIETE | |
| | 83 | 005603 26600 | TAPA | |
| | 84 | 945637 00000 | VARILLA ROSCADA | |
| | 85 | 068010 26600 | TUERCA HEXAGONAL | |
| | 89 | 965411 00000 | ELEMENTO DE DESACEITAR DE AIRE (2x) ²⁾ | |
| | 90 | 068008 26600 | PIEZA DISTANCIADORA | |
| | 91 | 518301 26700 | SOMBRETERE | |
| | 92 | 951041 02000 | ESPÁRRAGO | |
| | 94 | 506000 12900 | SEPARADOR DE SÓLIDOS GRUESOS (3x) ²⁾ | |
| | 95 | 905600 21900 | TAPA | |
| | 97 | 947402 00000 | TUERCA CIEGA | |
| | 100 | 002504 26600 | TAPA DE SEPARADOR DE ACEITE | |
| | 102 | 945391 00000 | TORNILLO HEXAGONAL INTERIOR | |
| | 103 | 945392 00000 | TORNILLO HEXAGONAL INTERIOR | |
| | 105 | 002500 26600 | TAPA DE SEPARADOR DE ACEITE | |
| | 107 | 945395 00000 | TORNILLO HEXAGONAL INTERIOR | |
| | 108 | 945394 00000 | TORNILLO HEXAGONAL INTERIOR | |
| | 110 | 008003 26600 | CRIBA | |
| | 112 | 867800 99559 | FLOTADOR | |
| | 113 | 912300 00000 | TORNILLO DE EMPALME | |
| | 115 | 003300 10700 | TOBERA | |
| | 117 | 002501 26600 | TAPA DE SEPARADOR DE ACEITE | |

| D INDICE | Pos. | No. De pedido | Descripción |  |
|-------------|---|---------------|---|--|
| | 122 | 907309 00000 | CRISTAL MIRILLA DE ACEITE | |
| | 123 | 951220 00100 | TORNILLO DE CIERRE | |
| | 126 | 916800 10000 | TAPA ROSCADA | |
| | 131 | 946945 00000 | ESPÁRRAGO | |
| | 133 | 951221 00100 | TORNILLO DE CIERRE | |
| | 140 | 002501 26700 | TAPA DE SEPARADOR DE ACEITE | |
| | 142 | 945396 00000 | TORNILLO HEXAGONAL INTERIOR | |
| | 144 | 068006 26600 | PIEZA DISTANCIADORA | |
| | 145 | 948215 00000 | ANILLO DE RETENCIÓN | |
| | 146 | 928603 30000 | MUELLE DE COMPRESIÓN | |
| | 151 | 502301 26700 | VENTILADOR COMPLETO | |
| | 178 | 030701 26600 | DISCO DE VÁLVULA | |
| | 192 | 947107 00000 | TUERCA HEXAGONAL | |
| | 194 | 948516 00000 | ARANDELA DE MUELLE | |
| | 197 | 947820 00000 | LENGÜETA DE AJUSTE | |
| | 198 | 016803 26600 | ARANDELA | |
| | 201 | 945310 10000 | TORNILLO HEXAGONAL INTERIOR | |
| | 202 | 053200 26700 | FAROL | |
| | 203 | 945388 00000 | TORNILLO HEXAGONAL INTERIOR | |
| | 204 | 947515 00000 | ARANDELA | |
| | 205 | 948511 00000 | ARANDELA DE MUELLE | |
| | 211 | 003701 26600 | TAPA | |
| | 212 | 945333 00000 | TORNILLO HEXAGONAL INTERIOR | |
| | 215 | 741341 00000 | AMORTIGUADOR DE GOMA | |
| | 216 | 945633 00000 | VARILLA ROSCADA | |
| | 217 | 068001 26600 | PIEZA DISTANCIADORA | |
| | 218 | 946811 00000 | ESPÁRRAGO | |
| | 222 | 560200 26700 | REFRIGERADOR, COMPLETO | |
| | 223 | 945348 00000 | TORNILLO HEXAGONAL INTERIOR | |
| | 224 | 951710 00000 | ARANDELA ELÁSTICA | |
| | 227 | 902104 26700 | ACOPLAMIENTO DE MOTOR | |
| | 228 | 902232 00000 | DISCO DE ACOPLAMIENTO | |
| | 229 | 068005 26700 | PIEZA DISTANCIADORA | |
| | 231 | 946962 00000 | ESPÁRRAGO | |
| | 233 | 947109 00000 | TUERCA HEXAGONAL | |
| | 234 | 947509 00000 | ARANDELA | |
| | 237 | 972308 00000 | ATORNILLADURA ERMETO | |
| | 239 | 512200 26600 | CONDUCTO DE RETROALIMENTACIÓN DE ACEITE | |
| | 240 | 972305 00000 | ATORNILLADURA ERMETO | |
| | 241 | 012204 26700 | CONDUCTO | |
| | 243 | 761703 01000 | ATORNILLADURA ERMETO | |
| | 244 | 012206 26600 | CONDUCTO | |
| | 245 | 012205 26700 | CONDUCTO | |
| | 247 | 961709 00000 | ÁNGULO | |
| | 248 | 064101 57000 | GOMA PERFILADA | |
| | 251 | 009400 19000 | TORNILLO DE PIEZA ESFÉRICA | |
| | 255 | 518302 26700 | SOMBRETERE | |
| | 256 | 945389 00000 | TORNILLO HEXAGONAL INTERIOR | |
| | 290 | 060900 26600 | ESTERA DE AMORTIGUADOR | |
| | 291 | 943400 90000 | SENSOR DE TEMPERATURA | |
| | 303 | 768704 99626 | VÁLVULA DE LASTRE DE GAS - OPCIONAL | |
| |  | 960009 00200 | BECKER LUBE M 100 (ACEITE MINERAL) - 5L | |
| | | 960016 00200 | BECKER LUBE S 100 (ACEITE SINTÉTICO) - 5L | |
| | | 960023 00200 | BECKER LUBE SL 100 (SECTOR ALIMENTARIO) - 5L | |

¹⁾ Junta completa - 5549000 26700 - Pos.: 15, 16, 25, 31, 32, 40, 73, 87, 88, 101, 106, 109, 118, 124, 127, 141, 191, 252, 254

²⁾ cantidad necesario / mantenimiento

| U 4.630 | Variante | Pos. ²⁾ | Bestell Nr. / Ident No. / No. Identification / No. Identificazione / No. De pedido | | Beschreibung / Description / Designation / Designazione / Descripcion |
|--|--------------|--------------------|---|-------------------------|--|
| | | | | | |
| ① U 4.630 F/K | | 78 | 030701 26600 | | VENTILSCHEIBE / VALVE WASHER / TETE DE SOUPAPE / DISCO DELLA VALVOLA / DISCO DE VÁLVULA |
| | | 179 | 030702 26600 | | VENTILSCHEIBE / VALVE WASHER / TETE DE SOUPAPE / DISCO DELLA VALVOLA / DISCO DE VÁLVULA |
| | | 180 | 016802 26600 | | SPANNSCHEIBE / CLAMPING DISC / DISQUE DE SERRAGE / DISCO DI FISSAGGIO / ARANDELA TENSORA |
| | | 181 | 033901 26600 | | VENTILPLATTE / VALVE PLATE / CLAPET / SUPPORTO VALVOLA / PLACA DE VÁLVULA |
| | | 182 | 928603 20000 | | DRUCKFEDER / PRESSURE SPRING / RESSORT DE PRESSION / MOLLA DELLA PRESSIONE / MUELLE DE COMPRESIÓN |
| | | 183 | 016800 26600 | | SPANNSCHEIBE / CLAMPING DISC / DISQUE DE SERRAGE / DISCO DI FISSAGGIO / ARANDELA TENSORA |
| | | 184 | 028501 26600 | | VENTILBOLZEN / VALVE BOLT / TIGE DE SOUPAPE / VALVOLA BULLONE / BULÓN DE VÁLVULA |
| | | 187 | 013300 26600 | | PRALLBLECH / BAFFLE / DÉFLECTEUR / DEFLETTORE / DEFLECTOR |
| | | 188 | 945330 00000 | | INNENSECHSKANTSCHRAUBE / SOCKET HEAD SCREW / VIS HEXAGONALE INTERNE / VITE ESAGONALE INTERNA / TORNILLO HEXAGONAL INTERIOR |
| ② U 4.630 (USA) (all variants, plus auxiliaries) | | 34 | 007801 26600 | 007800 26600 | GEWINDEFLANSCH / FLANGE / BRIDE / FLANGIA / BRIDA ROSCADA |
| | | 105 | 002503 26600 | 002500 26600 | ÖLABSCHEIDERDECKEL / OIL SEPARATOR COVER / COUVERCLE DE SEPARATEUR D'HUILE / COPERCHIO SEPARAZIONE OLIO / TAPA DE SEPARADOR DE ACEITE |
| | | 227 | 902105 26700 | 902104 26700 | MOTORKUPPLUNG / COUPLING MOTORSIDE / ACCOUPLEMENT MOTEUR / GUINTO MOTORE / ACOPLAMIENTO DE MOTOR |
| | | 229 | 068094 26700 | 068095 26700 | DISTANZSTÜCK / SPACER BLOCK / PIECE D'ECARTEMENT / DISTANZIATORE / PIEZA DISTANCIADORA |
| | | 295 | 037900 26700 | | ZWISCHENFLANSCH / FLANGE / BRIDE / FLANGIA / BRIDA INTERMEDIA |
| ③ U 4.630 SA/K-25 ④ U 4.630 F/K-25 - mit Öl-Wasser-Kühler - with oil-to-water heat exchanger - avec réfrigérant à l'huile et à l'eau - con radiatore ad olio - acqua - con refrigerador aceite-agua | | 72 | 002403 26600 | 002402 26600 | ÖLABSCHEIDERGEHÄUSE / HOUSING FOR OIL SEPARATION / CORP DE SEPARATEUR D'HUILE / CARCASSA SEPARAZIONE OLIO / CARCASA DE SEPARADOR DE ACEITE |
| | | 116 | 012400 26600 | | ZWISCHENSTÜCK / INTERMEDIATE PIECE / BRIDE / FLANGE / PIEZA INTERMEDIA |
| | | 121 | 560202 26600 | | KÜHLER / COOLER / REFROIDISSEUR / RAFFREDDATORE / REFRIGERADOR |
| | | 125 | 948029 00000 | | KUPFERRING / SEALING RING / JOINT / ANELLO / ANILLO DE COBRE |
| ⑤ U 4.630 SA/K-51 ⑥ U 4.630 F/K-51 - mit Ölbadheizung, Niveau-Geber und Thermostat - with oil bath heating, level transmitter and heat valve - avec chauffage du bain d'huile, capteur de niveau et thermostat - con riscaldamento a bagno d'olio, indicatore di livello e termostato - con calefacción de baño de aceite, codificador de nivel y termostato | | 72 | 002403 26600 | 002402 26600 | ÖLABSCHEIDERGEHÄUSE / HOUSING FOR OIL SEPARATION / CORP DE SEPARATEUR D'HUILE / CARCASSA SEPARAZIONE OLIO / CARCASA DE SEPARADOR DE ACEITE |
| | | 121 | 560201 26600 | | ROHRHEIZKÖRPER / PIPE HEATER / CORPS DE CHAUFFE / SCALDIGLIA / CALEFACTOR TUBULAR |
| | | 129 | 943400 70000 | | TEMPERATURWÄCHTER / THERMOSTAT / THERMOSTAT / INTERRUPTORE TERMICO / TERMOSTATO |
| | | 130 | 300300 07000 | | REDUZIER-NIPPEL / REDUCING BUSHES / MAMELONS REDUITS / RACCORDO DI RIDUZIONE / BOQUILLA DE REDUCCIÓN |
| | | 133 | | 954224 00000 | VERSCHLUSSSCHRAUBE / SCREW PLUG / BOUCHON / VITE DI CHIUSURA / TORNILLO DE CIERRE |
| | | 134 | 741103 99682 | | NIVEAUGEBER / LEVEL TRANSMITTER / CAPTEUR DE NIVEAU / INDICATORE DI LIVELLO / CODIFICADOR DE NIVEL |

²⁾ variantenabhängige Bauteile / variant-dependent components / composants variante-dependantes / componenti variante-dispendenti / componentes variante-dependientes