


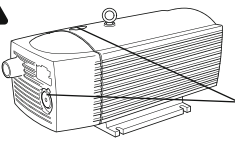








BETRIEBSANLEITUNG  
OPERATING INSTRUCTIONS  
INSTRUCCIONES DE SERVICE  
ISTRUZIONI D'USO  
HANDLEIDING  
INSTRUCCIONES PARA EL MANEJO  
MANUAL DE INSTRUÇÕES  
NAUDOJIMOSI INSTRUKCIJA  
KASUTUSJUHEND  
LIETOŠANAS INSTRUKCIJA  
DRIFTSINSTRUKS  
DRIFTSINSTRUKTIONER  
DRIFTSVEJLEDNING  
INSTRUKCJA OBSŁUGI

KEZELÉSI ÚTMUTATÓ  
NÁVOD K OBSLUZE  
NAVODILO ZA UPORABO  
NÁVOD NA OBSLUHU  
UPUTE ZA RAD  
MANUAL DE OPERATII  
TREORACHA OIBRIÚCHÁIN  
ΟΔΗΓΙΕΣ ΧΡΗΣΗΣ  
EL KITABI  
ИНСТРУКЦИИ ЗА ЕКСПЛОАТАЦИЯ  
ИНСТРУКЦИЯ ПО ЕКСПЛУАТАЦИИ  
取扱説明書  
사용설명서  
使用说明书




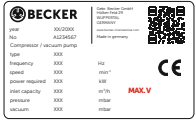
## VT 4.40

**MAKE IT BECKER.**

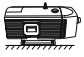

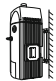
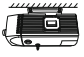



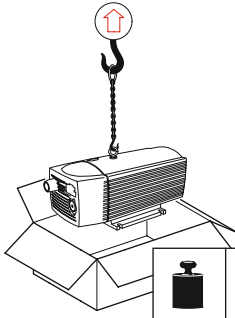
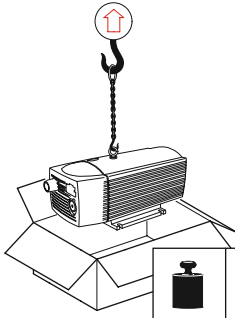





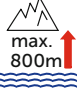
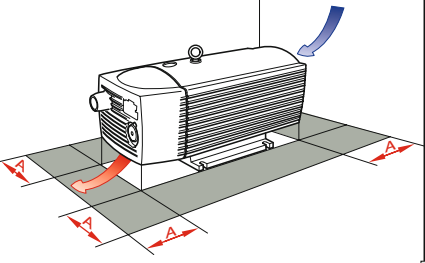
1

 <p><b>MAX. VACUUM</b></p>	 <p>mbar</p>
 <p><b>MAX. V</b></p>	 <p>m<sup>3</sup>/h</p>
<p><b>L<sub>pA</sub></b> )))</p> <p>DIN EN ISO 11203 Accuracy Class 2 K<sub>pA</sub> = 3 dB(A) l ← 1m</p>	<p>L<sub>pA</sub> = 67 dB(A) - 50Hz L<sub>pA</sub> = 72 dB(A) - 60Hz</p>

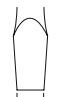
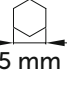

2

			
			
			
			 <p>39 kg 85 lbs</p>

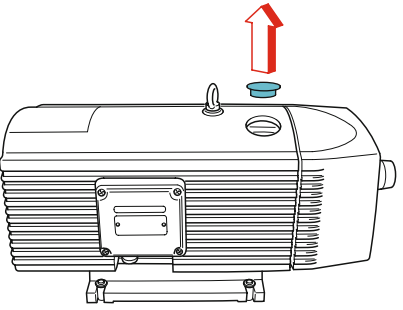
3

<p>A &gt; 100mm A &gt; 4"</p>	 <p>&gt; 5°C/41°F &lt; 45°C/113°F</p>	 <p>max. 90%</p>	 <p>max. 800m ↑</p>
			

4

 <p>6 mm</p>	 <p>5 mm</p>	 <p>7 mm</p>
---	---	---

5


--

6

**MOTOR-PROTECTION =**

(CF 1,XX)		SERVICE FACTOR <b>X</b> RATED CURRENT
50Hz	60Hz	
XXX / 200X Y	XXX / 200X Y	
(XX / 0X X)	(XX / 0X X)	

7

8

3 ph

9

10

0

2

10 [m]

3/4"

1"

1" + 1x




**Standard VT 4.40/0-90**


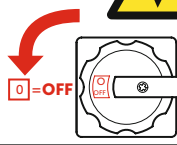


11





<b>Standard</b>	VT 4.40/0-90 (Index A)
	MAX. -0,7 bar/-20,7 in.HG
MAX.	VT 4.40/0-90 (Index B)
-0,85 bar	↳ Standard
-25,1 in.HG	

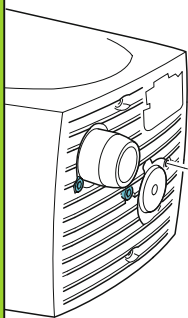
12

**Maintenance**

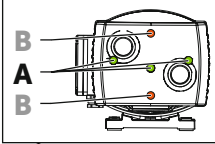













3x	<b>A</b> <input checked="" type="checkbox"/>	<b>6.2Nm</b>
2x	<b>-X</b> <input type="checkbox"/>	<b>2Nm</b>



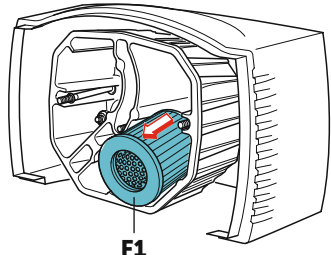


**CLEANING INTERVAL**

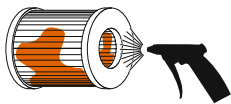
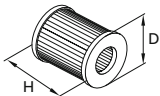
↑	40h
↓	200h

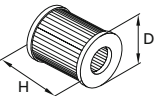


EN149 - FFP3  
42 CFR 84 - N100

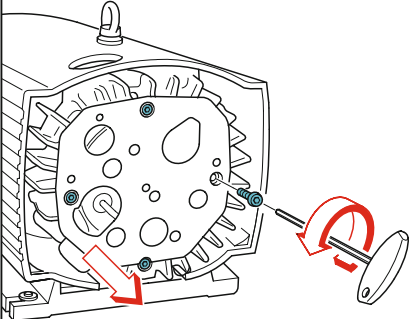



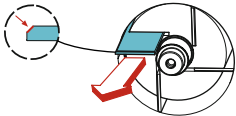
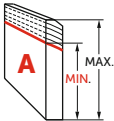

**F1**

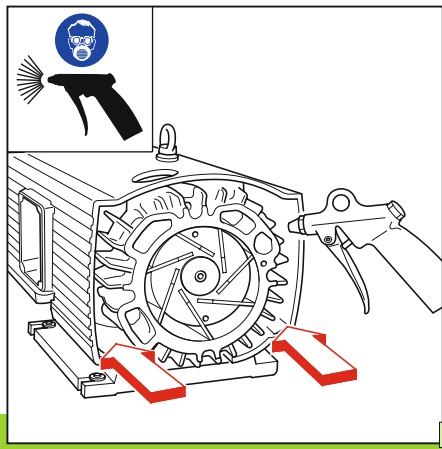


**F1:**      D: 64 mm  
                  H: 70 mm  
                  No.: 9095050000



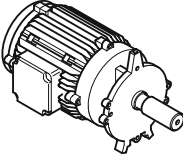


 <p><b>3000 h</b></p>	
	<p><b>Standard</b></p> <p><math>A_{MIN} = 28\text{mm}</math></p> <p><b>VT 4.40/0-90</b></p> <p><math>A_{MIN} = 33\text{mm}</math></p> <p><b>A &lt; A<sub>MIN</sub></b></p> 
<p><b>Standard</b> → No. 90135200007 (SET)</p>	
<p><b>VT 4.40/0-90</b> (Index <b>B</b>) → No. 90139700007 (SET)</p>	

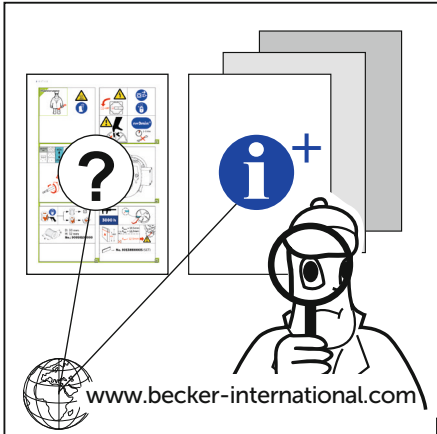
19



20

 	
<p>This pump falls under an exemption from EU 2019/1781 as the motor and the pump have common parts.</p>	

21



[www.becker-international.com](http://www.becker-international.com)

22



[WWW.BECKER-INTERNATIONAL-SHOP.COM](http://WWW.BECKER-INTERNATIONAL-SHOP.COM)

Gebr. Becker GmbH  
 Hoelker Feld 29-31  
 42279 WUPPERTAL  
 GERMANY  
[info@becker-international.com](mailto:info@becker-international.com)  
[www.becker-international.com](http://www.becker-international.com)





**MAKE IT BECKER.**

28100027602 | 2021-06-01 | All rights reserved