


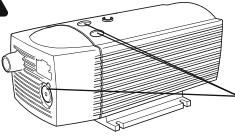


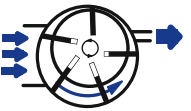




BETRIEBSANLEITUNG
OPERATING INSTRUCTIONS
INSTRUCCIONES DE SERVICE
ISTRUZIONI D'USO
HANDLEIDING
INSTRUCCIONES PARA EL MANEJO
MANUAL DE INSTRUÇÕES
NAUDOJIMOSI INSTRUKCIJA
KASUTUSJUHEND
LIETOŠANAS INSTRUKCIJA
DRIFTSINSTRUKS
DRIFTSINSTRUKTIONER
DRIFTSVEJLEDNING
INSTRUKCJA OBSŁUGI

KEZELÉSI ÚTMUTATÓ
NÁVOD K OBSLUZE
NAVODILO ZA UPORABO
NÁVOD NA OBSLUHU
UPUTE ZA RAD
MANUAL DE OPERATII
TREORACHA OIBRIÚCHÁIN
ΟΔΗΓΙΕΣ ΧΡΗΣΗΣ
EL KITABI
ИНСТРУКЦИИ ЗА ЕКСПЛОАТАЦИЯ
ИНСТРУКЦИЯ ПО ЕКСПЛОАТАЦИИ
取扱説明書
사용설명서
使用说明书

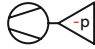



VT 4.10

MAKE IT BECKER.




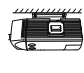
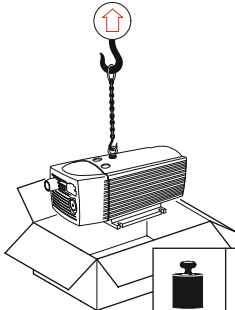


 	
	
 <p>AIR</p>	 
	 



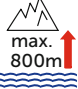
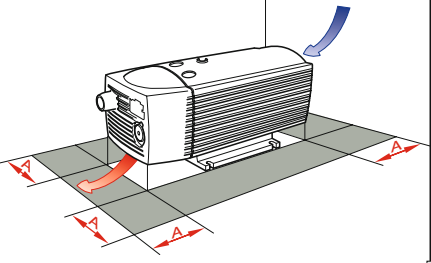
1

 <p>MAX. VACUUM</p>	 <p>mbar</p>
 <p>MAX.</p>	 <p>m³/h</p>
<p>L_{pA})))</p> <p>DIN EN ISO 11203 Accuracy Class 2 K_{pA} = 3 dB(A) l ← 1m</p>	<p>L_{pA} = 60 dB(A) - 50Hz L_{pA} = 62 dB(A) - 60Hz</p>

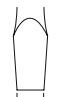
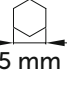

2

			
<p>✓</p>	<p>?</p>	<p>BECKER</p>	<p>BECKER</p>
			
			<p>16 kg 35.3 lbs</p>

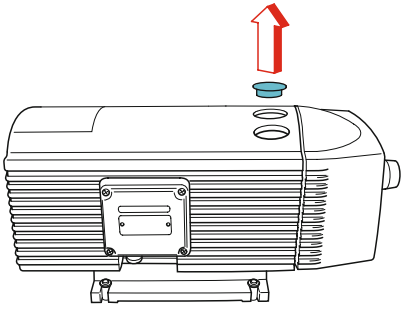
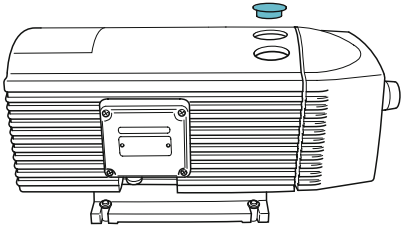
3

<p>A > 100mm A > 4"</p>	 <p>> 5°C/41°F < 45°C/113°F</p>	 <p>max. 90%</p>	 <p>max. 800m</p>
			

4

 <p>6 mm</p>	 <p>5 mm</p>	 <p>7 mm</p>
---	---	---

5

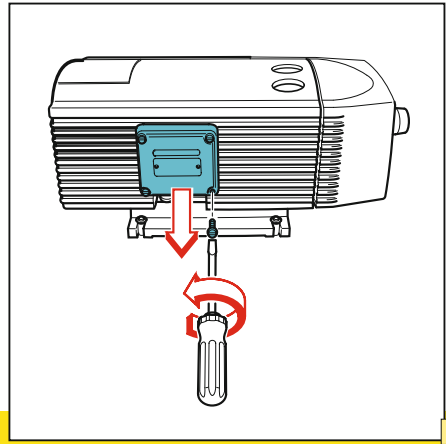
6

MOTOR-PROTECTION =

(cf. LXX)	
50Hz	60Hz
XXX / 2XXX V	XXX / 2XXX V
(XX / XX A)	(XX / XX A)

SERVICE FACTOR X RATED CURRENT

7



8

3 ph

9

3 ph

10

0 2 10 [m]

VACUUM

11

MAX. -0,85 bar
-25,1 in.Hg

12

Maintenance




n=0min⁻¹

2-3 Min

13

14

3x	A <input checked="" type="checkbox"/>	6.2Nm
2x	-X <input type="checkbox"/>	2Nm

CLEANING INTERVAL

40h

200h

EN149 - FFP3
42 CFR 84 - N100

F1

15

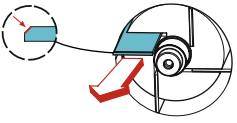
16

F1: D: 38 mm
H: 38 mm
No.: 9095180000


17


18

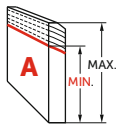

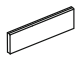
3000 h




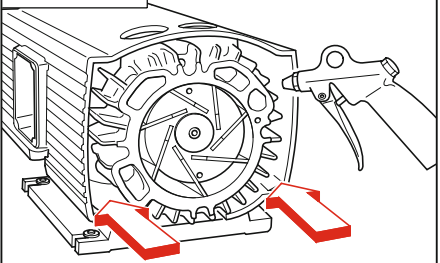

$A_{MAX} = 27\text{mm}$
 $A_{MIN} = 18\text{mm}$

$A_{T-} < 18\text{mm}$ → 


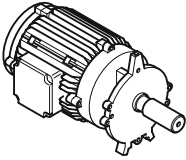
 → No. 90132700007 (SET)

19

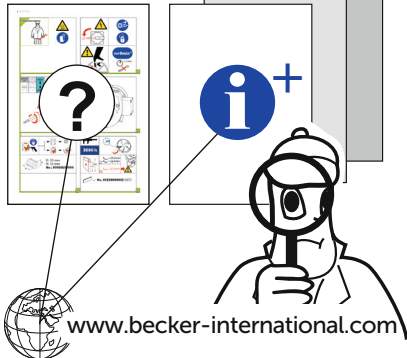


20

~~Regulation
EU 2019/1781~~

This pump falls under an exemption from EU 2019/1781 as the motor and the pump have common parts.

21

www.becker-international.com

22



WWW.BECKER-INTERNATIONAL-SHOP.COM

Gebr. Becker GmbH
 Hoelker Feld 29-31
 42279 WUPPERTAL
 GERMANY
info@becker-international.com
www.becker-international.com





MAKE IT BECKER.

28100027302 | 2021-06-01 | All rights reserved