

BETRIEBSANLEITUNG
OPERATING INSTRUCTIONS
INSTRUCCIONES DE SERVICE
ISTRUZIONI D'USO
HANDLEIDING
INSTRUCCIONES PARA EL MANEJO
MANUAL DE INSTRUÇÕES
NAUDOJIMOSI INSTRUKCIJA
KASUTUSJUHEND
LIETOŠANAS INSTRUKCIJA
DRIFTSINSTRUKS
DRIFTSINSTRUKTIONER
DRIFTSVEJLEDNING
INSTRUKCJA OBSŁUGI

KEZELÉSI ÚTMUTATÓ
NÁVOD K OBSLUZE
NAVODILO ZA UPORABO
NÁVOD NA OBSLUHU
UPUTE ZA RAD
MANUAL DE OPERATII
TREORACHA OIBRIÚCHÁIN
ΟΔΗΓΙΕΣ ΧΡΗΣΗΣ
EL KITABI
ИНСТРУКЦИИ ЗА ЕКСПЛОАТАЦИЯ
ИНСТРУКЦИЯ ПО ЕКСПЛОАТАЦИИ
取扱説明書
사용설명서
使用说明书


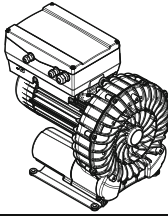

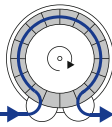


SV 300

MAKE IT BECKER.

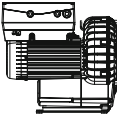



VARIAIR
UNIT








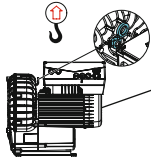
 **BECKER**

 	
 <p><input checked="" type="checkbox"/> AIR</p>	 


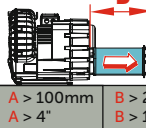
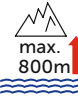
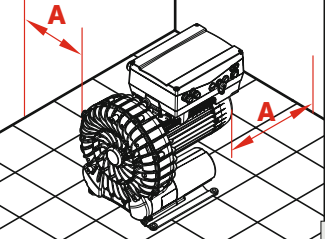

1

	 <p>m³/h mbar</p>
<p>DIN EN ISO 11203 Accuracy Class 2 K_{PA} = 3 dB(A) l ← 1m</p>	

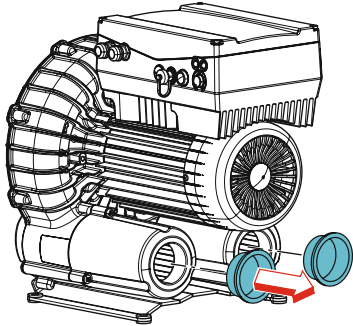
2

<p>static inst. ①-④</p>	  <p>dynamic installation not permitted</p>
 <p>①</p>	 <p>②</p>
 <p>③</p>	 <p>④</p>
<p> The pump must be securely mounted at the place of installation. Physical tension on the blower housing must be avoided.</p>	
 <p>49.5 kg 109 lbs</p>	

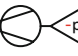
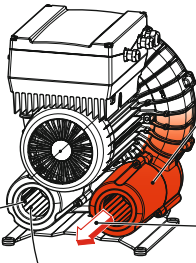



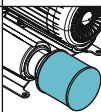
3

 <p>40°C/104°F -10°C/14°F</p>	 <p>optional en option opcionale optional Filter</p>
<p>INLET AIR</p> <p>40°C/104°F 0°C/32°F</p>	<p>A > 100mm A > 4"</p> <p>B > 295mm B > 11½"</p>
<p>max. 800m</p> 	
<p>max. 90%</p> 	

4



5

<p> VACUUM</p>		<p> PRESSURE</p>
		 <p>AIR >100°C >212°F</p>
<p>optional en option opcionale optional</p> 		<p style="text-align: right;">6</p>

<p>VAU 4/4 VAU(w) 7.5/3 VAU 11-22/3</p>	<p>*) Circuit breaker VAU 4/4 → C 16 VAU 7.5/3 → C 20</p>	

7

	<p>Input:V Output: 3~.....HzHz Ser.-Nr.: IP... C E Art.-Nr. VAU 4/4</p>

8

3 **2Nm**

1 2 3

PE

9

2.5mm




1 2 3 PE

10


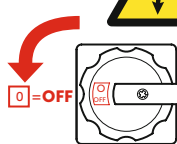




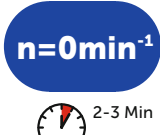

<p>+P</p> <p>PRESSURE</p>	<p>G 2½</p>	<p>-P</p> <p>VACUUM</p>
---	--------------------	---------------------------------------

11

Maintenance

12

13

CLEANING INTERVAL

SUCTION AIR

40h
↕
200h

optional
en option
opcionale
opcional

VAU SV 300/1
VAU SV 300/2

F1

14

CLEANING INTERVAL

SUCTION AIR

40h
↕
200h

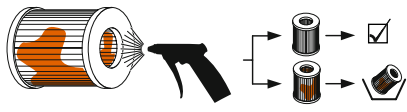
VACUUM
PRESSURE

optional
en option
opcionale
opcional

G 2


F2

15






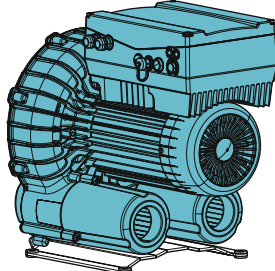
F1: PRESSURE
VAU SV 300/1 → No.: 9095900000
VAU SV 300/2 → No.: 9095730000

F2: VACUUM
+ PRESSURE
No.: 90951030000



EN149 - FFP3
42 CFR 84 - N100

16

17



Gebr. Becker GmbH
Hoelker Feld 29-31
42279 WUPPERTAL
GERMANY
info@becker-international.com
www.becker-international.com



The logo consists of a circular icon with three stylized human figures inside, followed by the word **BECKER** in a bold, blue, sans-serif font.



MAKE IT BECKER.

28.10.0016651 | 2021-12-17 | All rights reserved