

BETRIEBSANLEITUNG
OPERATING INSTRUCTIONS
INSTRUCTIONS DE SERVICE
ISTRUZIONI D'USO
HANDLEIDING
INSTRUCCIONES PARA EL MANEJO
MANUAL DE INSTRUÇÕES
NAUDOJIMOSI INSTRUKCIJA
KASUTUSJUHEND
LIETOŠANAS INSTRUKCIJA
DRIFTSINSTRUKS
DRIFTSINSTRUKTIONER
DRIFTSVEJLEDNING
INSTRUKCJA OBSŁUGI

KEZELÉSI ÚTMUTATÓ
NÁVOD K OBSLUZE
NAVODILO ZA UPORABO
NÁVOD NA OBSLUHU
UPUTE ZA RAD
MANUAL DE OPERATII
TREORACHA OIBRIÚCHÁIN
ΟΔΗΓΙΕΣ ΧΡΗΣΗΣ
EL KITABI
ИНСТРУКЦИИ ЗА ЕКСПЛОАТАЦИЯ
ИНСТРУКЦИЯ ПО ЕКСПЛУАТАЦИИ
取扱説明書
사용설명서
使用说明书


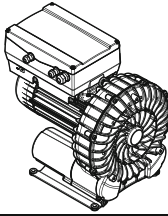

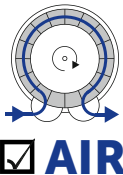




SV 201

MAKE IT BECKER.

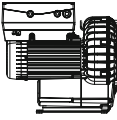
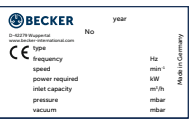


VARIAIR
UNIT










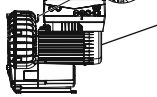
 **BECKER**

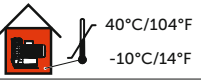
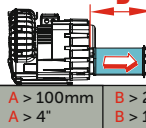
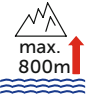
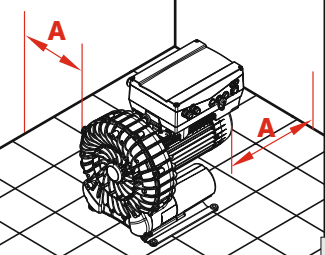
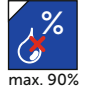
1

		m ³ /h mbar
	SV 201/1 (Pressure/Vacuum) ▶ 67 Hz, +235/-215 mbar L _{PA} = 77.7/77.2 dB(A)	
DIN EN ISO 11203 Accuracy Class 2 K _{pA} = 3 dB(A) l←1m	SV 201/2 (Pressure/Vacuum) ▶ 67 Hz, +370/-290 mbar L _{PA} = 73.9/73.5 dB(A)	

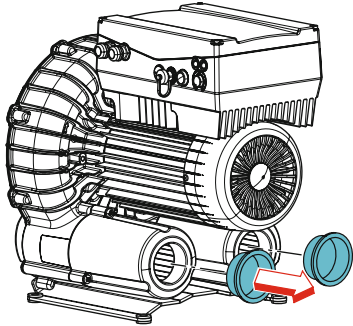
2

static inst. ①-④			dynamic installation not permitted
			
 The pump must be securely mounted at the place of installation. Physical tension on the blower housing must be avoided.			
			
		32 kg 70.5 lbs	


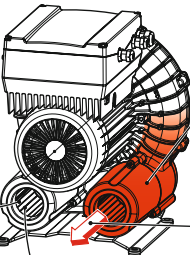




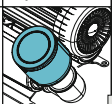
3

	40°C/104°F -10°C/14°F		optional en option optionale optional Filter
INLET AIR	40°C/104°F 0°C/32°F	A > 100mm A > 4"	B > 295mm B > 11½"
	max. 800m		
	max. 90%		

4



5

	VACUUM			PRESSURE
				
				AIR >100°C >212°F
		optional en option optionale optional		

6

<p>VAU 4/4 VAU(w) 7.5/3 VAU 11-22/3</p>	<p>*) Circuit breaker VAU 4/4 → C 16</p>	

7

	<p>Input:V Output: 3~.....Hz IP... C E Art.-Nr. VAU 4/4 ...</p>

8

3 **2Nm**

1 2 3

PE

9

2.5mm


1 1 2 1 3


10

<p>PRESSURE</p>	<p>G 2</p>	<p>VACUUM</p>


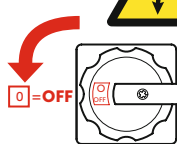




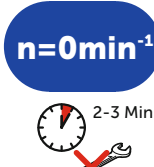
11

Maintenance




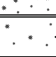


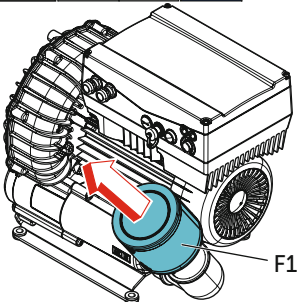


12




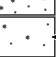








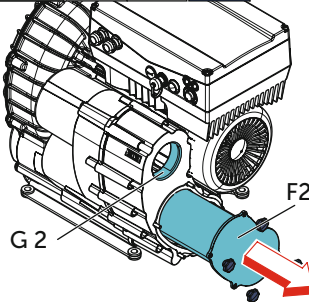
13

	SUCTION AIR		40h ↕ 200h	PRESSURE
CLEANING INTERVAL				optional en option optionale opcional

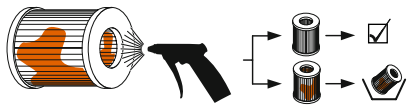


14

	SUCTION AIR		40h ↕ 200h	VACUUM PRESSURE
CLEANING INTERVAL				optional en option optionale opcional




15





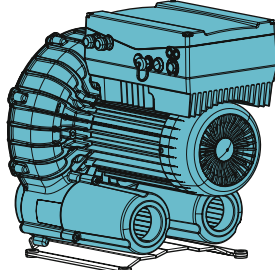
F1: PRESSURE
No.: 74000501000

F2: VACUUM
+ PRESSURE
No.: 90951070000



EN149 - FFP3
42 CFR 84 - N100

16

17





MAKE IT BECKER.

28100060251 | 2021-08-12 | All rights reserved