

BETRIEBSANLEITUNG  
OPERATING INSTRUCTIONS  
INSTRUCCIONES DE SERVICE  
ISTRUZIONI D'USO  
HANDLEIDING  
INSTRUCCIONES PARA EL MANEJO  
MANUAL DE INSTRUÇÕES  
NAUDOJIMOSI INSTRUKCIJA  
KASUTUSJUHEND  
LIETOŠANAS INSTRUKCIJA  
DRIFTSINSTRUKS  
DRIFTSINSTRUKTIONER  
DRIFTSVEJLEDNING  
INSTRUKCJA OBSŁUGI

KEZELÉSI ÚTMUTATÓ  
NÁVOD K OBSLUZE  
NAVODILO ZA UPORABO  
NÁVOD NA OBSLUHU  
UPUTE ZA RAD  
MANUAL DE OPERATII  
TREORACHA OIBRIÚCHÁIN  
ΟΔΗΓΙΕΣ ΧΡΗΣΗΣ  
EL KITABI  
ИНСТРУКЦИИ ЗА ЕКСПЛОАТАЦИЯ  
ИНСТРУКЦИЯ ПО ЕКСПЛУАТАЦИИ  
取扱説明書  
사용설명서  
使用说明书


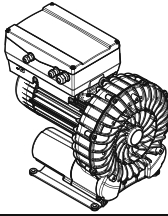

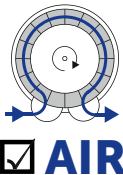




## SV 130

**MAKE IT BECKER.**

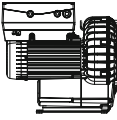
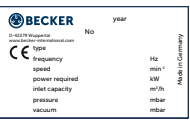


**VARIAIR**  
UNIT








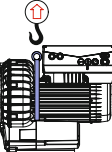

 **BECKER**


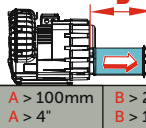
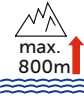
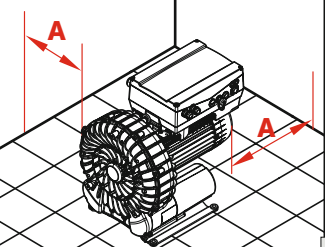

1

		m <sup>3</sup> /h mbar
	SV 130/1 (Pressure/Vacuum) ▶ 67 Hz, +260/-215 mbar L <sub>PA</sub> = 70.1/69.8 dB(A)	
DIN EN ISO 11203 Accuracy Class 2 K <sub>pA</sub> = 3 dB(A) l←1m	SV 130/2 (Pressure/Vacuum) ▶ 67 Hz, +395/-290 mbar L <sub>PA</sub> = 71.1/68.2 dB(A)	

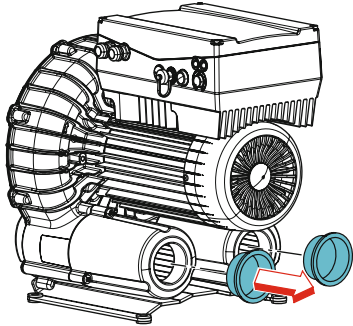
2

static inst. ①-④			dynamic installation not permitted
			
<p> The pump must be securely mounted at the place of installation. Physical tension on the blower housing must be avoided.</p>			
			
		31 kg 68.5 lbs	

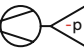
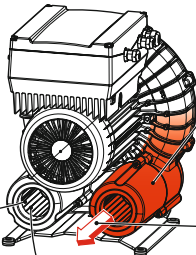
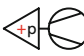



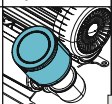
3

	40°C/104°F -10°C/14°F		optional en option optionale optional Filter
INLET AIR	40°C/104°F 0°C/32°F		A > 100mm A > 4"
	max. 800m		
	max. 90%		

4



5

		
VACUUM		PRESSURE
		
		AIR >100°C >212°F
	optional en option optionale optional	

6

<p>VAU 4/4 VAU(w) 7.5/3 VAU 11-22/3</p>	<p>*) Circuit breaker VAU 4/4 → C 16</p>	

7

	<p>BECKER Ser.-Nr.: .....</p>	<p>Input: .....V ..... Hz Output: 3~..... Hz IP... C E Art.-Nr. VAU 4/4 ... .....</p>

8

3 2Nm

1 2 3

PE

9

2.5mm

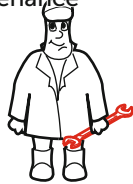


1 1 2 1 3

10


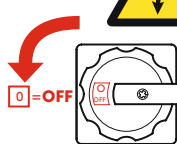




<p><b>PRESSURE</b></p>	<p><b>G 1½</b></p>	<p><b>VACUUM</b></p>

11


**Maintenance**

12

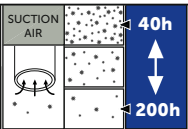
**n=0min<sup>-1</sup>**



13

**CLEANING INTERVAL**

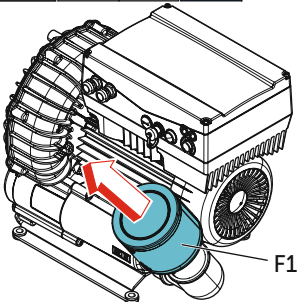
SUCTION AIR



40h  
↕  
200h

**PRESSURE**

optional  
en option  
opcionale  
opcional

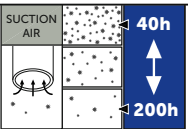


F1

14

**CLEANING INTERVAL**

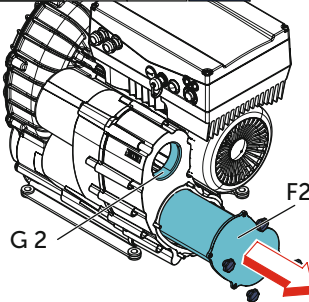
SUCTION AIR



40h  
↕  
200h

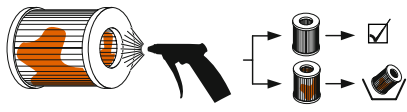
**VACUUM PRESSURE**

optional  
en option  
opcionale  
opcional



G 2 F2

15




**F1: PRESSURE**

No.: 74000501000

---




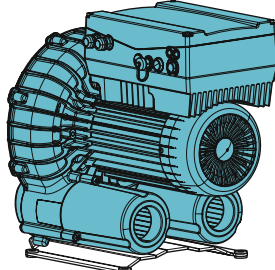
**F2: VACUUM + PRESSURE**

No.: 90951070000

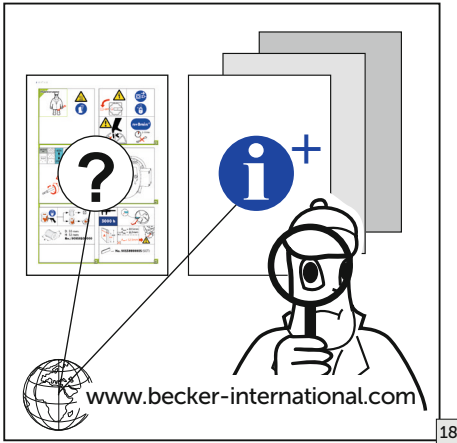


**EN149 - FFP3**  
42 CFR 84 - N100

16

17



Gebr. Becker GmbH  
Hoelker Feld 29-31  
42279 WUPPERTAL  
GERMANY  
[info@becker-international.com](mailto:info@becker-international.com)  
[www.becker-international.com](http://www.becker-international.com)



The logo consists of a circular icon with three stylized human figures inside, followed by the word **BECKER** in a bold, blue, sans-serif font.



**MAKE IT BECKER.**

28100060151 | 2021-08-12 | All rights reserved