


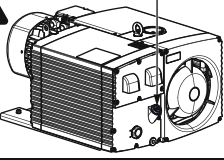


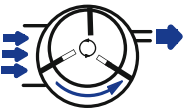




BETRIEBSANLEITUNG  
OPERATING INSTRUCTIONS  
INSTRUCTIONS DE SERVICE  
ISTRUZIONI D'USO  
HANDLEIDING  
INSTRUCCIONES PARA EL MANEJO  
MANUAL DE INSTRUÇÕES  
NAUDOJIMOSI INSTRUKCIJA  
KASUTUSJUHEND  
LIETOŠANAS INSTRUKCIJA  
DRIFTSINSTRUKS  
DRIFTSINSTRUKTIONER  
DRIFTSVEJLEDNING  
INSTRUKCJA OBSŁUGI

KEZELÉSI ÚTMUTATÓ  
NÁVOD K OBSLUZE  
NAVODILO ZA UPORABO  
NÁVOD NA OBSLUHU  
UPUTE ZA RAD  
MANUAL DE OPERATII  
TREORACHA OIBRIÚCHÁIN  
ΟΔΗΓΙΕΣ ΧΡΗΣΗΣ  
EL KITABI  
ИНСТРУКЦИИ ЗА ЕКСПЛОАТАЦИЯ  
ИНСТРУКЦИЯ ПО ЕКСПЛУАТАЦИИ  
取扱説明書  
사용설명서  
使用说明书

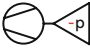
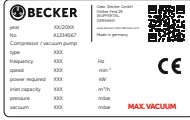

## U 5.201

**MAKE IT BECKER.**





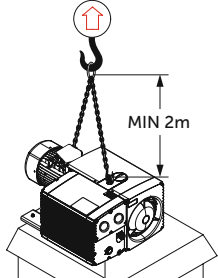



 	 <p>Becker Lube M/S/SL/SM 100 ▷ 5.0 Liter</p>	
		
 <p><input checked="" type="checkbox"/> AIR</p>		
		


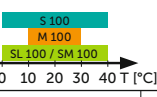

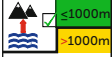

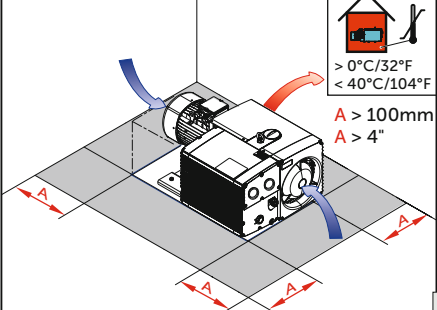
1

 <p><b>MAX. VACUUM</b></p>		<p>mbar</p>
	 <p><b>MAX.</b></p>	
<p>DIN EN ISO 11203 Accuracy Class 2 K<sub>pA</sub> = 3 dB(A) l ← 1m</p>		<p>L<sub>pA</sub> = 72 dB(A) - 50Hz L<sub>pA</sub> = 74 dB(A) - 60Hz</p>





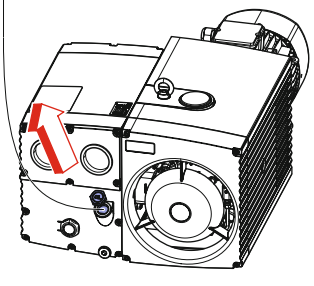
2

			 <p>119 kg 263 lbs</p>
			
			


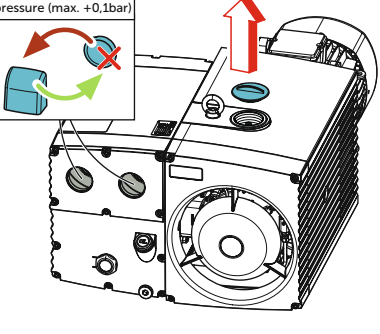
3

		<p>Avoid condensation</p>  <p>max. 90%</p>	
<p>Please consult </p>			
			

4

 <p>▶ 23</p>			
<p><b>5.0 Liter</b></p>			
			

5

	<p>exhaust air has to escape without back-pressure (max. +0.1bar)</p>
	

6

<b>Standard</b>	
< 2m	G2
> 2m...10m	G2½

**VACUUM**

7

optional en option opcionale opcional	
--	--

8

--	--	--	--

9

10

	Standard
	Optional

$p_{abs}$  [mbar]

Standard | Optional

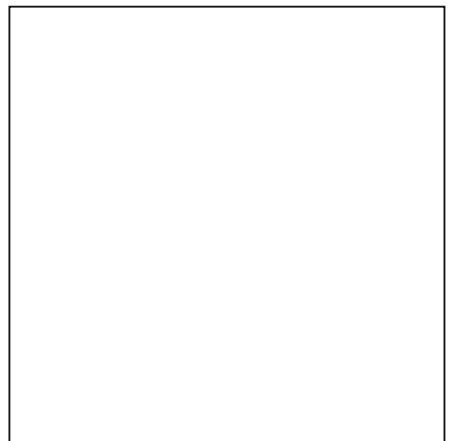
0 | |

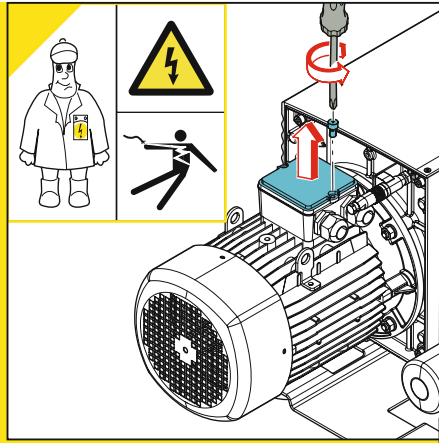
**Standard**      **0.1/1.0 mbar [abs]**

**Optional**      **0.1/3.0 mbar [abs]**

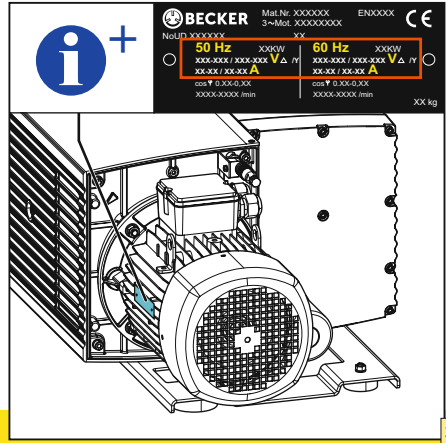
Spare parts list

11

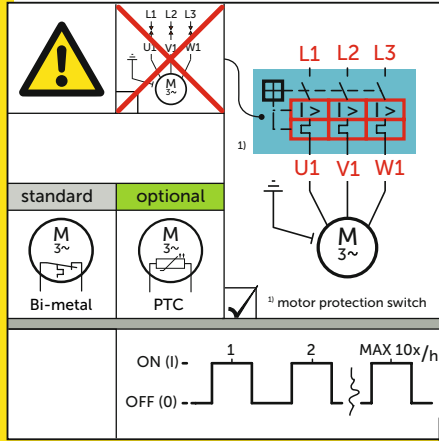




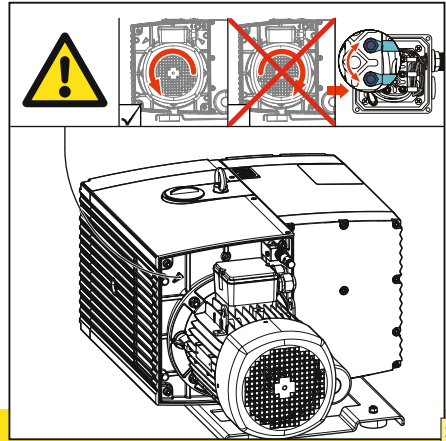
12



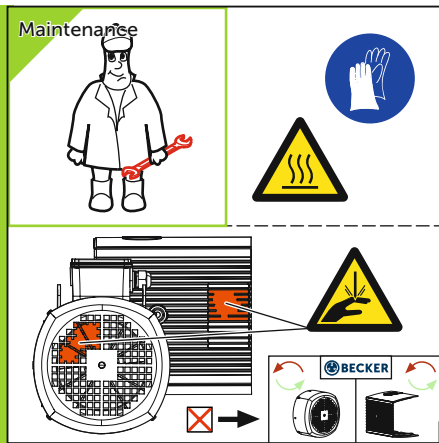
13



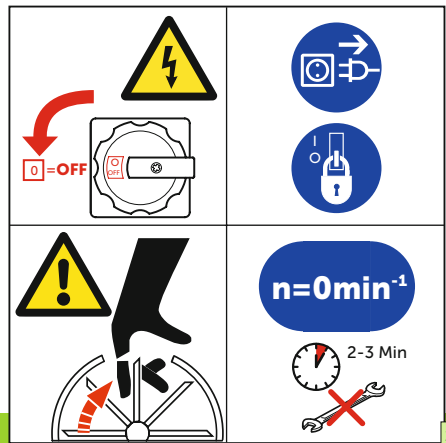
14



15



16



17

**40-200 h** **AMBIENT AIR ?** EN149 - FFP3  
42 CFR 84 - N100

40h → 200h

18

▶ 24  
▶ 21  
▶ 26-27  
▶ 25  
▶ 28-31  
▶ 20-23

OIL

19

**40 h**

MAX ▼  
MIN ▲

Becker Lube  
M/S/SL/SM 100

20

1. = 500 h  
2. = 2000 h  
3. = 4000 h  
... (min. 2x/a)

Pos. 219

OIL

21

**5.0 Liter**

▶ 23

22

0 10 20 30 40 T [°C]

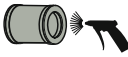
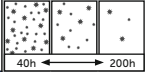
Becker Lube **M 100** (Mineral oil)  
- 1 Liter 96000900001  
- 5 Liter 96000900201

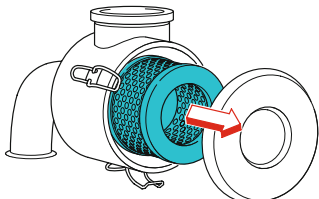
Becker Lube **S 100** (Synthetic oil)  
- 1 Liter 96001600101  
- 5 Liter 96001600201

Becker Lube **SL 100** (Food packaging)  
- 1 Liter 96002300101  
- 5 Liter 96002300201

Becker Lube **SM 100** (Food processing)  
- 1 Liter 96003700301  
- 5 Liter 96003700401

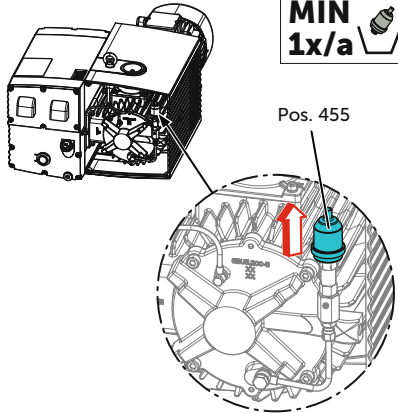
23

		<b>MIN</b> <b>1x/a</b>
<b>40-200 h</b>	<b>INTAKE AIR ?</b>	




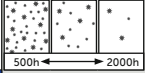
24

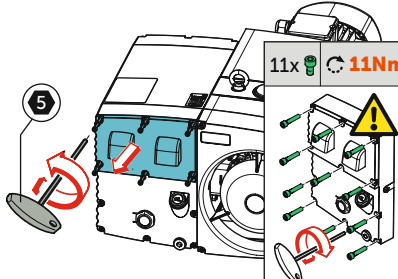
<b>MIN</b> <b>1x/a</b>
---------------------------

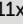


Pos. 455


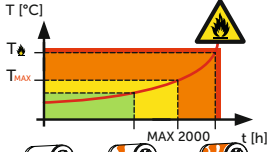
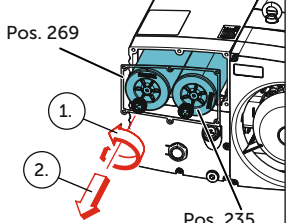
25

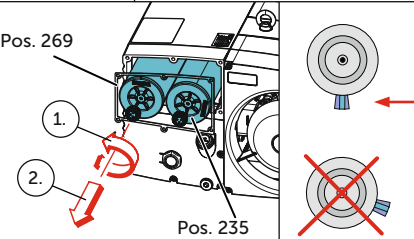
		0-400 mbar abs. <del>400</del> not permitted
<b>MAX</b> <b>2000 h</b>	<b>INTAKE AIR ?</b>	<b>VACUUM</b>



11x  **11Nm**

26




	
	<b>MAX 2000</b> t [h]

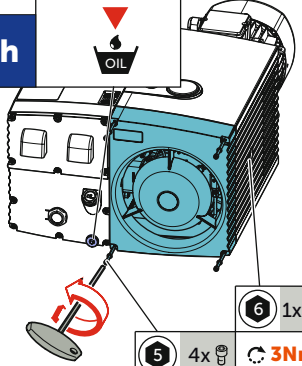



Pos. 269



Pos. 235

27

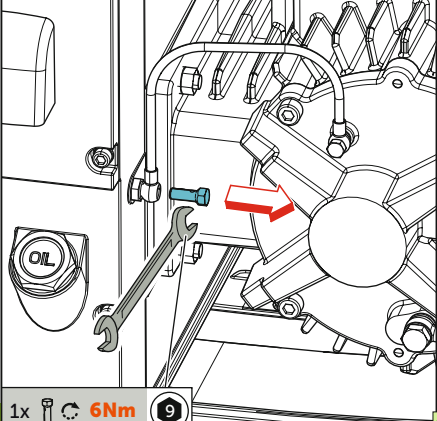
	1. 	2. 
<b>6000 h</b>	<b>OIL</b>	

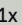


6  **1x**

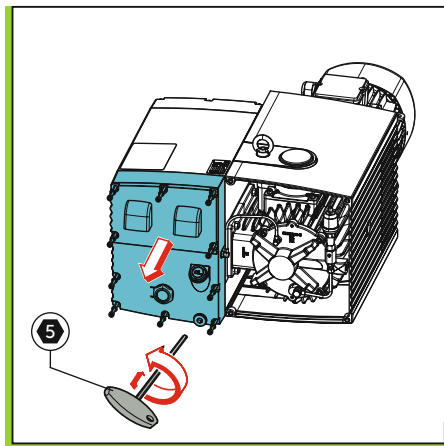
5  **4x**  **3Nm**

28

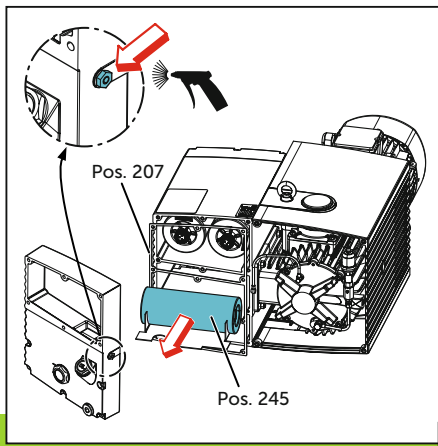


1x  **6Nm** 9

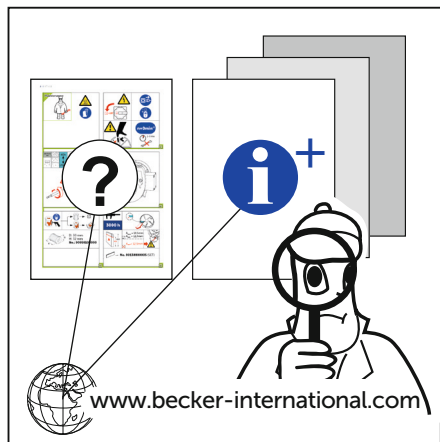
29



30



31



32



Gebr. Becker GmbH  
Hölker Feld 29-31  
D-42279 Wuppertal  
[info@becker-international.com](mailto:info@becker-international.com)  
[www.becker-international.com](http://www.becker-international.com)





**MAKE IT BECKER.**

2810054430 | 2021-01-14 | All rights reserved