

**BETRIEBSANLEITUNG
OPERATING INSTRUCTIONS
INSTRUCCIONES DE SERVICE
ISTRUZIONI D'USO
HANDLEIDING
INSTRUCCIONES PARA EL MANEJO
MANUAL DE INSTRUÇÕES
NAUDOJIMOSI INSTRUKCIJA
KASUTUSJUHEND
LIETOŠANAS INSTRUKCIJA
DRIFTSINSTRUKS
DRIFTSINSTRUKTIONER
DRIFTSVEJLEDNING
INSTRUKCJA OBSŁUGI**


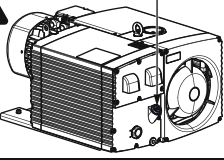


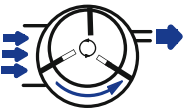




**KEZELÉSI ÚTMUTATÓ
NÁVOD K OBSLUZE
NAVODILO ZA UPORABO
NÁVOD NA OBSLUHU
UPUTE ZA RAD
MANUAL DE OPERATII
TREORACHA OIBRIÚCHÁIN
ΟΔΗΓΙΕΣ ΧΡΗΣΗΣ
EL KITABI
ИНСТРУКЦИИ ЗА ЕКСПЛОАТАЦИЯ
ИНСТРУКЦИЯ ПО ЕКСПЛУАТАЦИИ
取扱説明書
사용설명서
使用说明书**

U 5.166

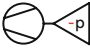
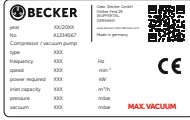




MAKE IT BECKER.







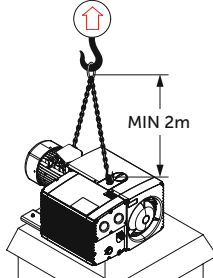

 **BECKER**

 	 <p>Becker Lube M/S/SL/SM 100 ▷ 5.0 Liter</p>	
		
 <p><input checked="" type="checkbox"/> AIR</p>		
		


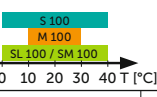

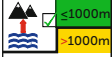

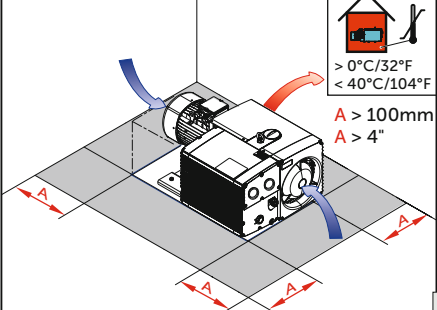
1

 <p>MAX. VACUUM</p>			<p>mbar</p>
	 <p>MAX.</p>		
<p>DIN EN ISO 11203 Accuracy Class 2 K_{pA} = 3 dB(A) l ← 1m</p>		<p>L_{pA} = 70 dB(A) - 50Hz L_{pA} = 72 dB(A) - 60Hz</p>	





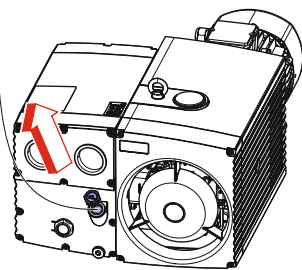
2

			 <p>104 kg 230 lbs</p>
			
			


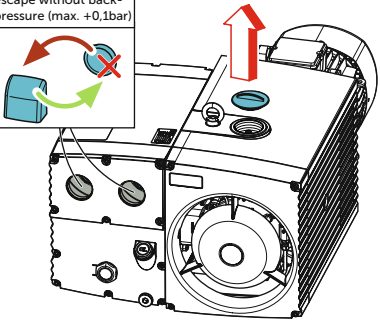
3

		<p>Avoid condensation</p>  <p>max. 90%</p>	 <p>≤1000m >1000m</p>
<p>Please consult </p>			
 <p>A > 100mm A > 4"</p>			

4

 <p>▶ 23</p>			
<p>5.0 Liter</p>			
			

5

	<p>exhaust air has to escape without back-pressure (max. +0.1bar)</p>
	

6

Standard	
< 2m	G2
> 2m...10m	G2½

VACUUM

7

optional en option opcionale opcional		
--	--	--

8

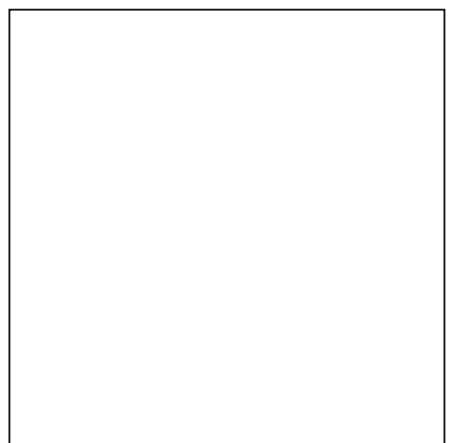
--	--	--

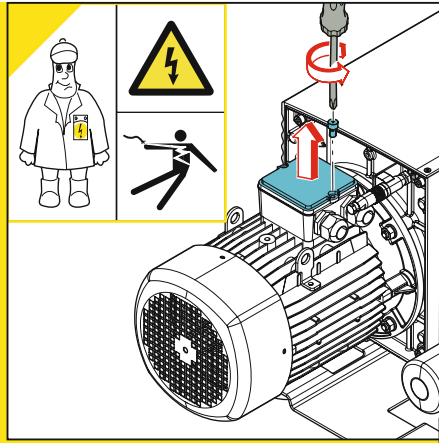
9

10

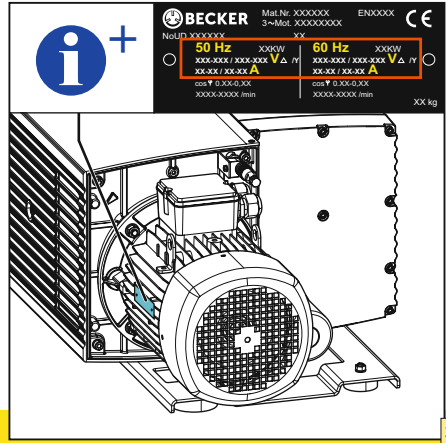
Standard Optional	<p>p_{abs} [mbar]</p> <p>Standard Optional</p> <p>0 </p>
Standard	0.1/1.0 mbar [abs]
Optional	0.1/3.0 mbar [abs]
<p>Spare parts list</p>	

11

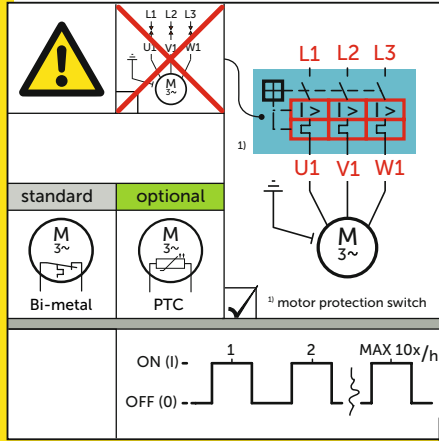




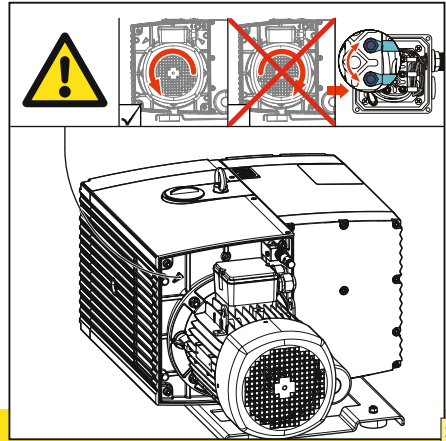
12



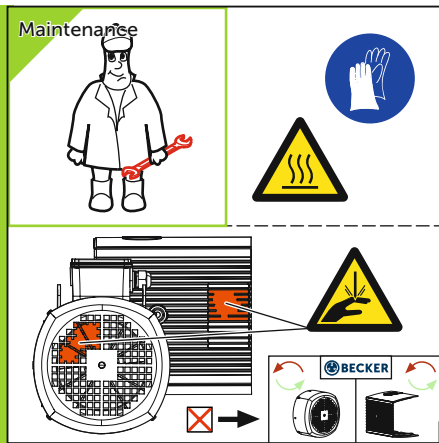
13



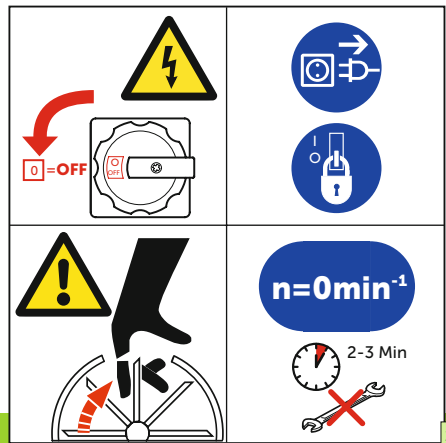
14




15



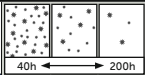
16



17




40-200 h

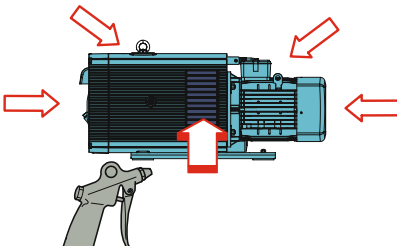


40h → 200h

AMBIENT AIR ?




EN149 - FFP3
42 CFR 84 - N100




18


▶ 24




▶ 21




▶ 26-27




▶ 25




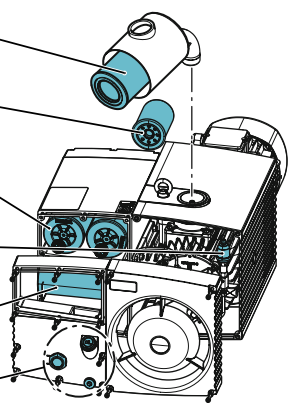
▶ 28-31



▶ 20-23









19

MAX ▼
MIN ▲

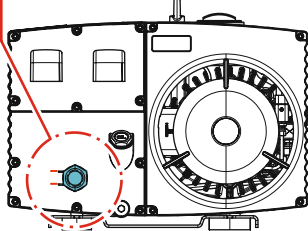
40 h



< MIN





**Becker Lube
M/S/SL/SM 100**

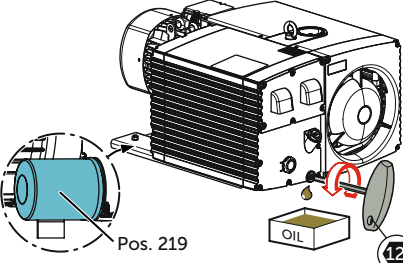


20

1. = 500 h
2. = 2000 h
3. = 4000 h
... (min. 2x/a)







Pos. 219


21



▶ 23

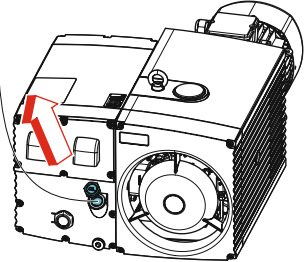
5.0 Liter

!

MAX

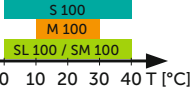




22

Oil

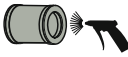
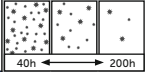


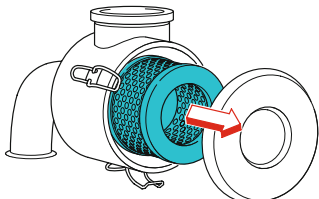
0 10 20 30 40 T(°C)

!

Becker Lube M 100 (Mineral oil)	
- 1 Liter	96000900001
- 5 Liter	96000900201
Becker Lube S 100 (Synthetic oil)	
- 1 Liter	96001600101
- 5 Liter	96001600201
Becker Lube SL 100 (Food packaging)	
- 1 Liter	96002300101
- 5 Liter	96002300201
Becker Lube SM 100 (Food processing)	
- 1 Liter	96003700301
- 5 Liter	96003700401

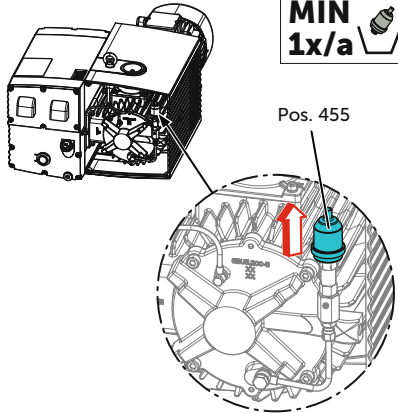
23

		MIN 1x/a
40-200 h	INTAKE AIR ?	




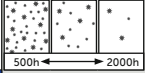
24

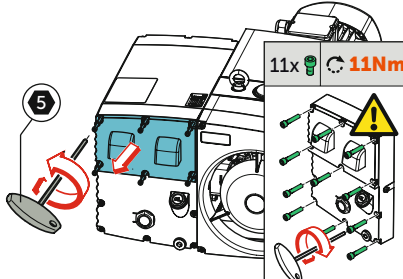
MIN 1x/a



Pos. 455

25


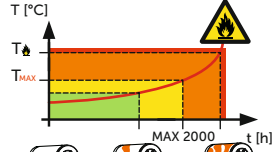


		0-400 mbar abs. 400 not permitted
MAX 2000 h	INTAKE AIR ?	VACUUM



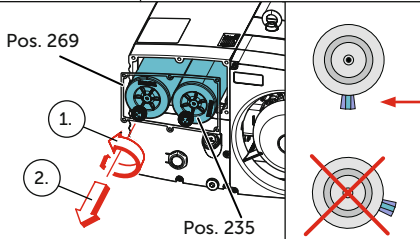
5

11x 11Nm

26

MAX 2000 t [h]






Pos. 269

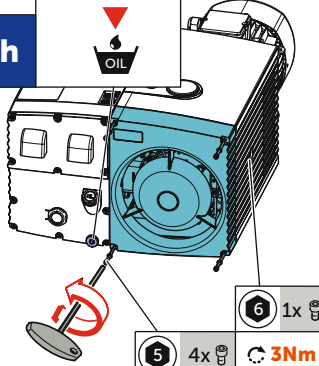
1.

2.

Pos. 235

27

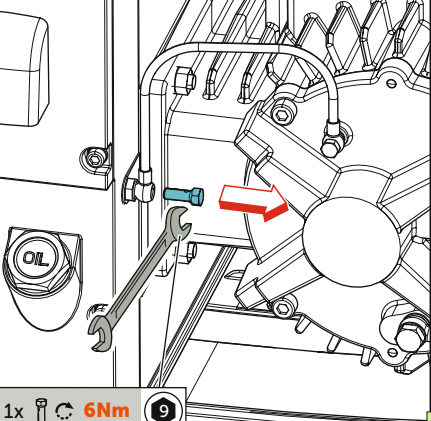
	1. 	2. 
6000 h	OIL	



6 1x

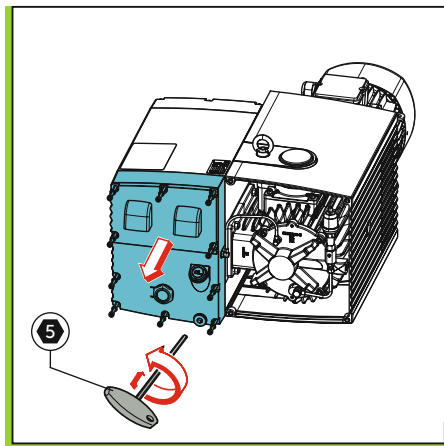
5 4x 3Nm

28

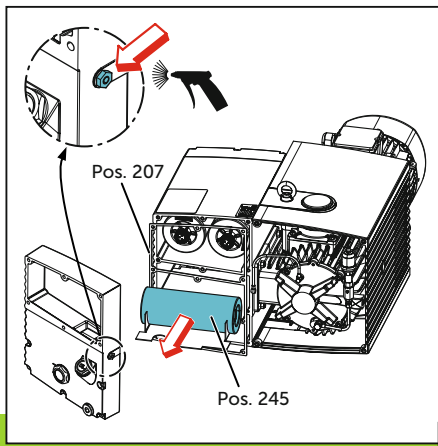


1x 6Nm 9

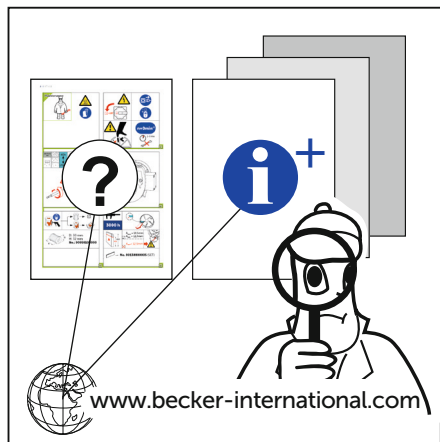
29



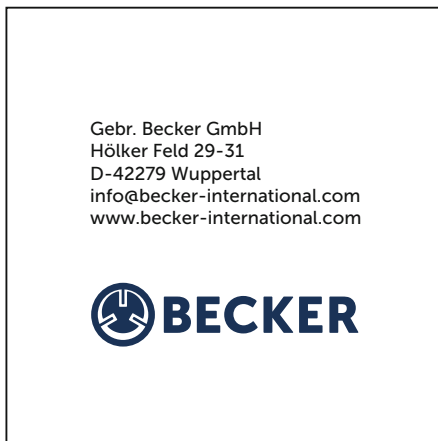
30



31



32





MAKE IT BECKER.

28100054330 | 2021-01-14 | All rights reserved