

BETRIEBSANLEITUNG
OPERATING INSTRUCTIONS
INSTRUCCIONES DE SERVICE
ISTRUZIONI D'USO
HANDLEIDING
INSTRUCCIONES PARA EL MANEJO
MANUAL DE INSTRUÇÕES
NAUDOJIMOSI INSTRUKCIJA
KASUTUSJUHEND
LIETOŠANAS INSTRUKCIJA
DRIFTSINSTRUKS
DRIFTSINSTRUKTIONER
DRIFTSVEJLEDNING
INSTRUKCJA OBSŁUGI


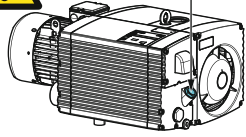


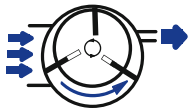




KEZELÉSI ÚTMUTATÓ
NÁVOD K OBSLUZE
NAVODILO ZA UPORABO
NÁVOD NA OBSLUHU
UPUTE ZA RAD
MANUAL DE OPERATII
TREORACHA OIBRIÚCHÁIN
ΟΔΗΓΙΕΣ ΧΡΗΣΗΣ
EL KITABI
ИНСТРУКЦИИ ЗА ЕКСПЛОАТАЦИЯ
ИНСТРУКЦИЯ ПО ЕКСПЛОАТАЦИИ
取扱説明書
사용설명서
使用说明书

U 5.101

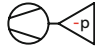


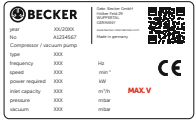
MAKE IT BECKER.





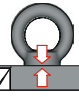


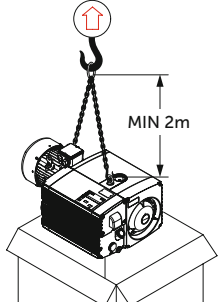
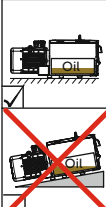
 **BECKER**

| | | |
|---|---|---|
|   |  <p>Becker Lube M/S/SL 100 ▷ 2.0 Liter</p> | |
| |  | |
|  <p><input checked="" type="checkbox"/> AIR</p> |  |  |
| |  |  |

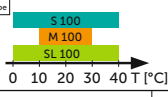

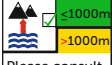

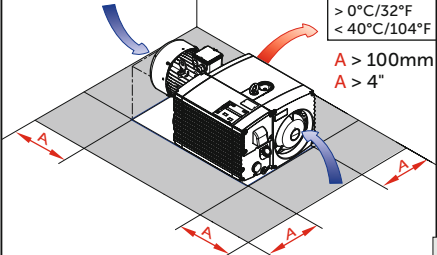
1

| | | |
|---|--|---|
|  <p>MAX. VACUUM</p> |  | <p>mbar</p> |
| |  <p>MAX.</p> |  |
| <p>DIN EN ISO 11203 Accuracy Class 2 K_{pA} = 3 dB(A) l ← 1m</p> | | <p>L_{pA} = 65 dB(A) - 50Hz L_{pA} = 68 dB(A) - 60Hz</p> |





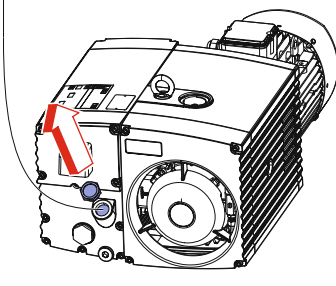
2

| | | | |
|---|--|---|--|
|   |  |  |  <p>67 kg 148 lbs</p> |
| |  | | |
|  | | | <p>3</p> |


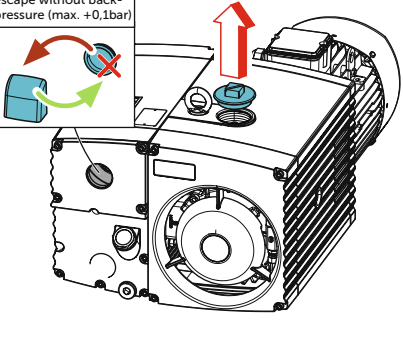
3

| | | |
|---|---|--|
|  | <p>Avoid condensation</p>  <p>max. 90%</p> |  <p>≤1000m >1000m</p> |
| <p>Please consult BECKER</p> | | |
|  <p>> 0°C/32°F < 40°C/104°F</p> <p>A > 100mm A > 4"</p>  | | |

4

| | | |
|--|---|---|
|  <p>23 2.0 Liter</p> |  <p>MAX</p> |   |
|  | | |

5

| | |
|--|---|
|  <p>exhaust air has to escape without back- pressure (max. +0.1bar)</p> |  |
|--|---|

6

| | |
|-----------------|-----|
| Standard | |
| < 2m | G1¼ |
| > 2m...10m | G1½ |

VACUUM

7

| | |
|--|--|
| optional en option opcionale opcional | |
|--|--|

8

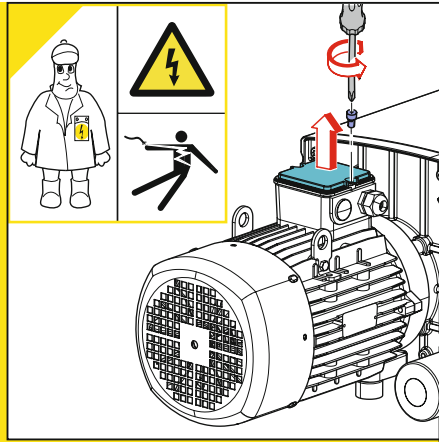
| | |
|--|--|
| | |
| U 5.101/0-04 U 5.101/0-05 U 5.101/0-06 U 5.101/0-07 | |
| <input checked="" type="checkbox"/> Optional | |
| U 5.101/0-00 U 5.101/0-01 U 5.101/0-02 U 5.101/0-03 | |
| Standard not adjustable | |

9

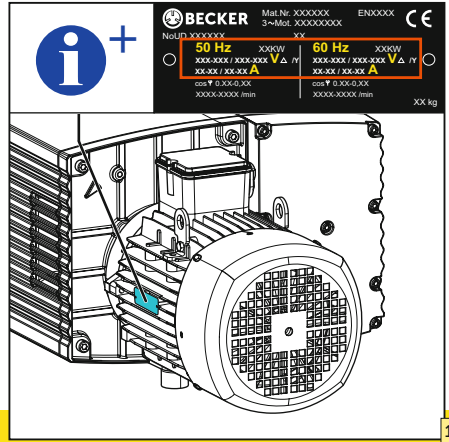
10

| | | | |
|-------------------------|---------------------------|------------------|--|
| Optional | | p_{abs} [mbar] | |
| | | | |
| | | Optional | |
| | | 0 | |
| | | V [ml] | |
| Standard | 1,0 mbar [abs] | | |
| Optional | 0.1/3.0 mbar [abs] | | |
| | | | |
| Spare parts list | | | |

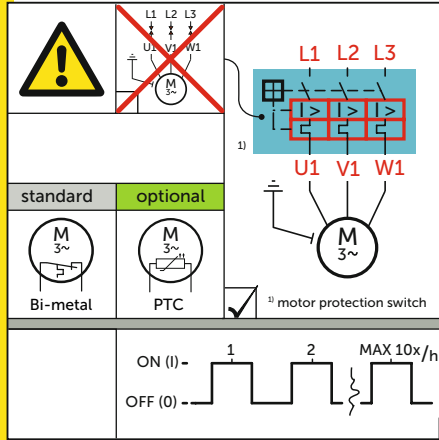
11



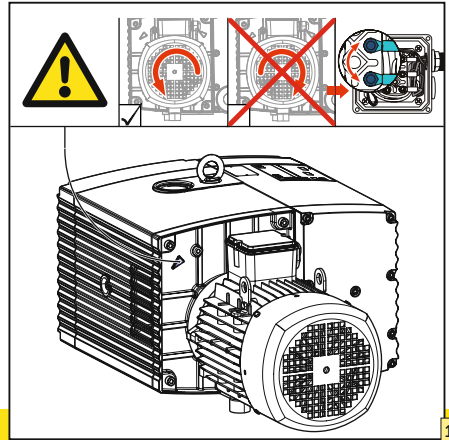
12



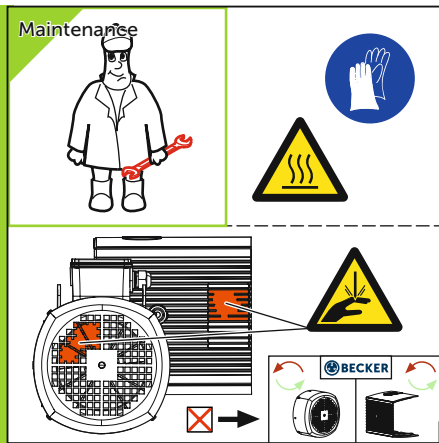
13



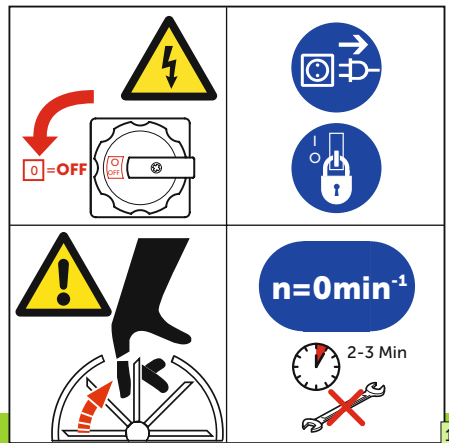
14



15



16



17

40 - 200 h

AMBIENT AIR ?

40h → 200h

EN149 - FFP3
42 CFR 84 - N100

18

▶ 24

▶ 21

▶ 25-26

▶ 27-30

▶ 20-23

OIL

19

40 h

MAX ▼
MIN ▲

< MIN

Becker Lube M/S/SL 100

20

1. = 500 h
2. = 2000 h
3. = 4000 h
... (min. 2x/a)

OIL +

Pos. 214

OIL

12

21

▶ 23

2.0 Liter

MAX

22

OIL

S 100

M 100

SL 100

0 10 20 30 40T [°C]

Becker Lube M 100
(Mineral oil)

- 1 Liter 96000900001
- 5 Liter 96000900201

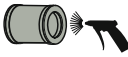
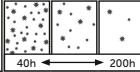

Becker Lube S 100
(Synthetic oil)

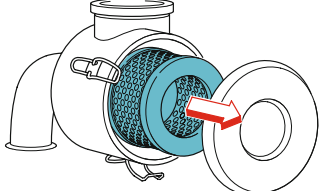
- 1 Liter 96001600101
- 5 Liter 96001600201

Becker Lube SL 100
(Food)


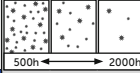

- 1 Liter 96002300101
- 5 Liter 96002300201

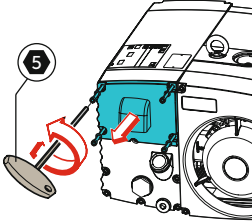
23



| | | |
|---|---|---|
|  |  | MIN 1x/a  |
| 40-200 h | INTAKE AIR ? | |




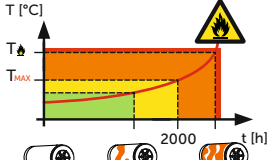


24

| | | |
|---|---|--|
|  |  | 0-400 mbar abs.  not permitted |
| MAX 2000 h | INTAKE AIR ? | VACUUM |

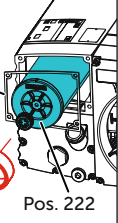


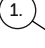
10x  **14Nm** 


25

| | |
|---|--|
|  |  |
|  |  |

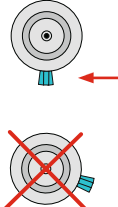
Pos. 233






1. 

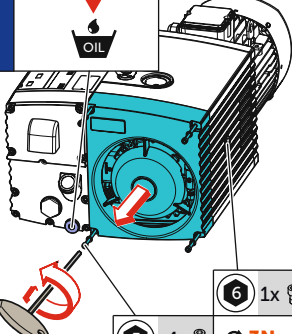
2. 


Pos. 222





26

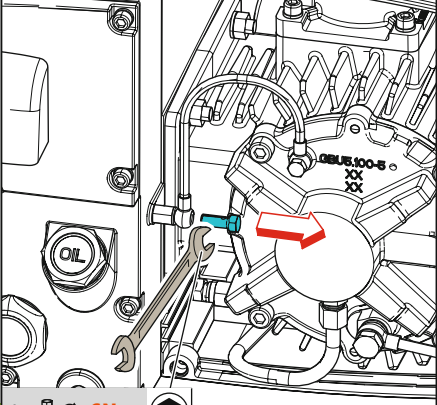
| | | |
|---|--|--|
|  | 1.  | 2.  |
| 6000 h | OIL | |



6  1x

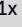

5  4x  **3Nm**

27

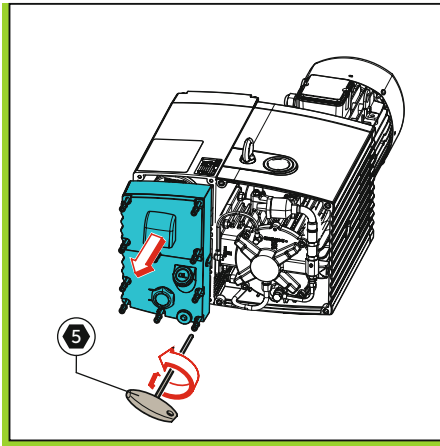


OIL

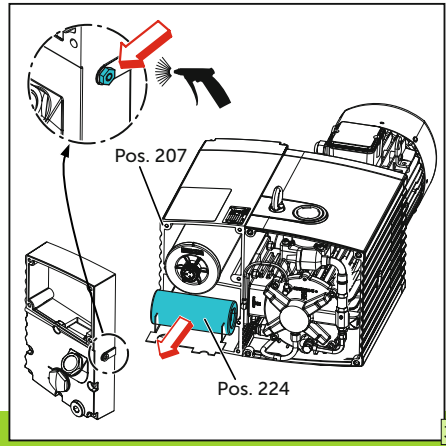
OILU.100-8
XX
XX

1x  **6Nm** 9 

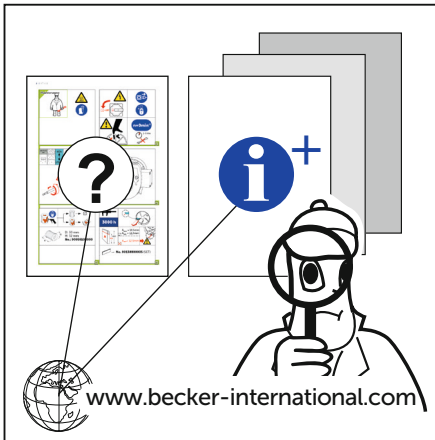
28



29



30



31



WWW.BECKER-INTERNATIONAL-SHOP.COM

Gebr. Becker GmbH
 Hoelker Feld 29-31
 42279 WUPPERTAL
 GERMANY
 info@becker-international.com
 www.becker-international.com





MAKE IT BECKER.

28100054230 | 2020-10-28 | All rights reserved