


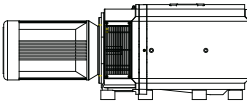


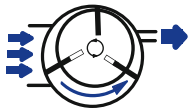




BETRIEBSANLEITUNG
OPERATING INSTRUCTIONS
INSTRUCTIONS DE SERVICE
ISTRUZIONI D'USO
HANDLEIDING
INSTRUCCIONES PARA EL MANEJO
MANUAL DE INSTRUÇÕES
NAUDOJIMOSI INSTRUKCIJA
KASUTUSJUHEND
LIETOŠANAS INSTRUKCIJA
DRIFTSINSTRUKS
DRIFTSINSTRUKTIONER
DRIFTSVEJLEDNING
INSTRUKCJA OBSŁUGI

KEZELÉSI ÚTMUTATÓ
NÁVOD K OBSLUZE
NAVODILO ZA UPORABO
NÁVOD NA OBSLUHU
UPUTE ZA RAD
MANUAL DE OPERATII
TREORACHA OIBRIÚCHÁIN
ΟΔΗΓΙΕΣ ΧΡΗΣΗΣ
EL KITABI
ИНСТРУКЦИИ ЗА ЕКСПЛОАТАЦИЯ
ИНСТРУКЦИЯ ПО ЕКСПЛУАТАЦИИ
取扱説明書
사용설명서
使用说明书

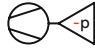

U 4.630

MAKE IT BECKER.



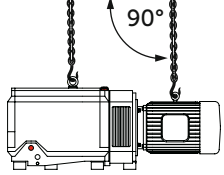


  <p>Becker Lube M/S/SL 100 ▷ 14,0 Liter</p>	 <p>Becker Lube M/S/SL 100 ▷ 14,0 Liter</p>	
		
 <p><input checked="" type="checkbox"/> AIR</p>		
		



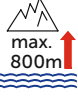
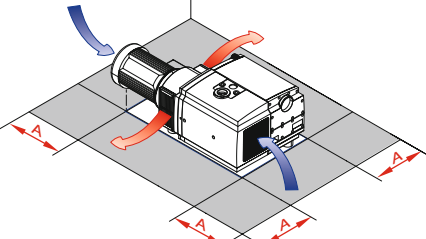
1

 <p>MAX. VACUUM</p>	<table border="1"> <tr><td colspan="2">BECKER</td></tr> <tr><td>No.</td><td>year</td></tr> <tr><td colspan="2">www.becker-lubrication.com</td></tr> <tr><td>CE</td><td>type</td></tr> <tr><td>frequency</td><td>Hz</td></tr> <tr><td>speed</td><td>min⁻¹</td></tr> <tr><td>power required</td><td>kW</td></tr> <tr><td>inlet capacity</td><td>m³/h</td></tr> <tr><td>max. vacuum</td><td>MAX. VACUUM mbar</td></tr> </table>	BECKER		No.	year	www.becker-lubrication.com		CE	type	frequency	Hz	speed	min ⁻¹	power required	kW	inlet capacity	m ³ /h	max. vacuum	MAX. VACUUM mbar
	BECKER																		
No.	year																		
www.becker-lubrication.com																			
CE	type																		
frequency	Hz																		
speed	min ⁻¹																		
power required	kW																		
inlet capacity	m ³ /h																		
max. vacuum	MAX. VACUUM mbar																		
 <p>MAX.</p>	<table border="1"> <tr><td colspan="2">BECKER</td></tr> <tr><td>No.</td><td>year</td></tr> <tr><td colspan="2">www.becker-lubrication.com</td></tr> <tr><td>CE</td><td>type</td></tr> <tr><td>frequency</td><td>Hz</td></tr> <tr><td>speed</td><td>min⁻¹</td></tr> <tr><td>power required</td><td>kW</td></tr> <tr><td>inlet capacity</td><td>MAX. m³/h</td></tr> <tr><td>max. vacuum</td><td>mbar</td></tr> </table>	BECKER		No.	year	www.becker-lubrication.com		CE	type	frequency	Hz	speed	min ⁻¹	power required	kW	inlet capacity	MAX. m ³ /h	max. vacuum	mbar
BECKER																			
No.	year																		
www.becker-lubrication.com																			
CE	type																		
frequency	Hz																		
speed	min ⁻¹																		
power required	kW																		
inlet capacity	MAX. m ³ /h																		
max. vacuum	mbar																		
<p>DIN EN ISO 11203 Accuracy Class 2 K_{pA} = 3 dB(A) l ← 1m</p>		<p>L_{pA} = 80 dB(A) - 50Hz L_{pA} = 83 dB(A) - 60Hz</p>																	




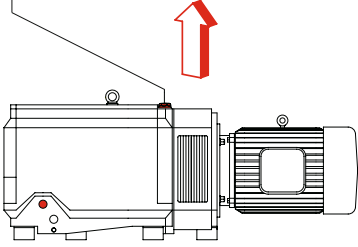
2

 <p>525 kg 1158 lbs</p>	
 <p>90°</p>	

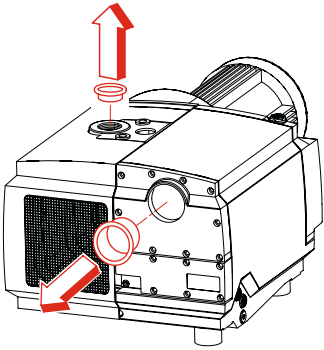
3

<p>A > 100mm A > 4"</p>	 <p>> 5°C/41°F < 40°C/104°F</p>	 <p>max. 90%</p>	 <p>max. 800m</p>
			

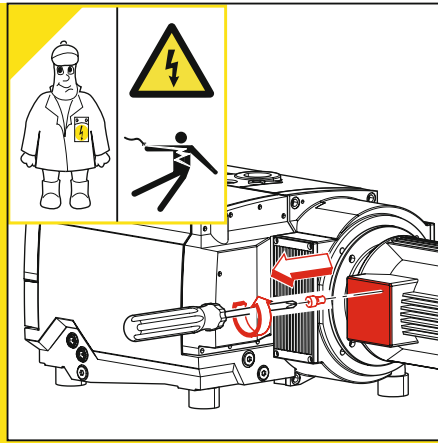
4

 <p>14,0 Liter</p>	<p>Becker Lube M 100 (Mineral oil) ▷ No.: 96000900001 (1l) ▷ No.: 96000900201 (5l) Becker Lube S 100 (Synthetic oil) ▷ No.: 96001600101 (1l) ▷ No.: 96001600201 (5l) Becker Lube SL 100 Food ▷ No.: 96002300101 (1l) ▷ No.: 96002300201 (5l)</p>	<p>MAX.</p> 
		
		

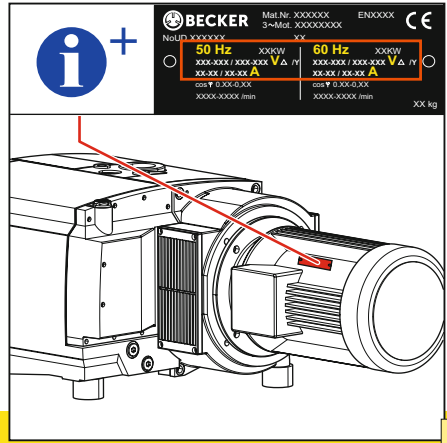
5



6



7



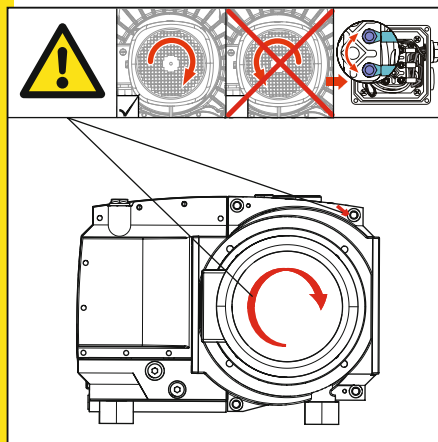
8

GENERAL	ADDITIONAL $M_{3\sim} \geq 5.5 \text{ kW}$
<p>1) motor protection switch</p>	<p>RECOMMENDATION</p> <p>A Softstart</p> <p>B </p>
	<p>OPTIONAL</p> <p>PTC </p> <p>Bi-metal </p>
<p>ON (I) - </p> <p>OFF (0) -</p> <p>MAX 6x/h</p>	

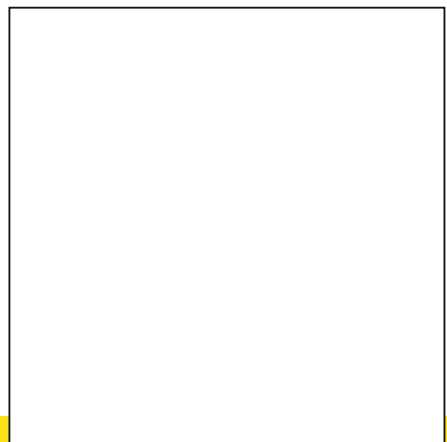
9

Pt 100	<p>optional en option opcionale opcional</p>
<p>T_{MAX}</p>	<p>No.: 94340190000 - 230V No.: 94340190200 - 24VDC No.: 94340190100 - 115V</p>

10



11



< 2m	ϕ 3"	ϕ 3"- 8NPT (USA)
> 2m...10m	ϕ 4"	ϕ 4"- 8NPT (USA)

12

optional en option opcionale opcional		
--	--	--

13

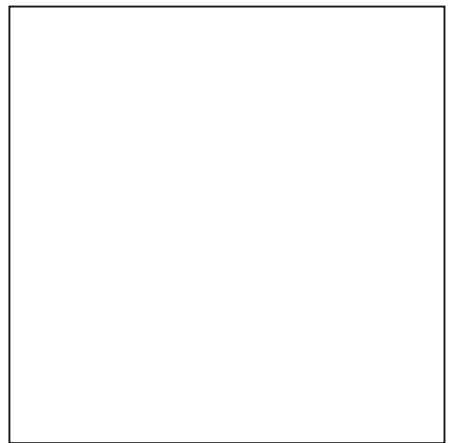
			optional en option opcionale opcional
--	--	--	--

14




15

--	--	--







16




Maintenance


17



n=0min⁻¹



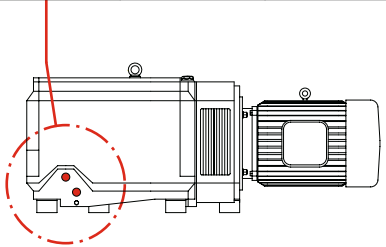
18




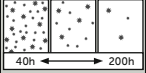

40 h

Becker Lube
M/S/SL 100



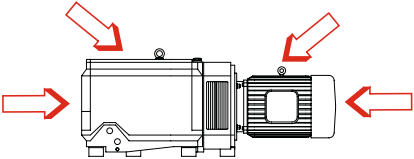

19


40-200 h

AMBIENT AIR ?


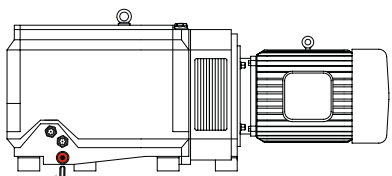
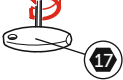
EN149 - FFP3
42 CFR 84 - N100

20




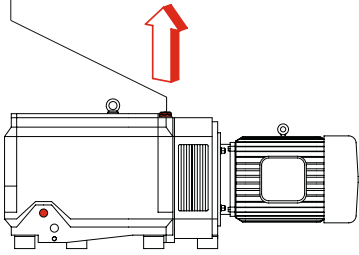
1. = 100h
2. = 1.000h
3. = 2.000h
... (min. 2x/a)


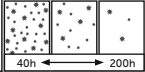

21

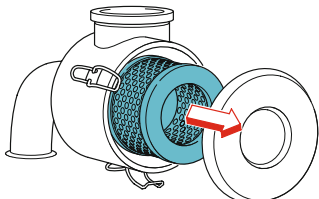
Becker Lube M 100 (Mineral oil)
▷ No.: 96000900001 (1l)
▷ No.: 96000900201 (5l)
Becker Lube S 100 (Synthetic oil)
▷ No.: 96001600101 (1l)
▷ No.: 96001600201 (5l)
Becker Lube SL 100 Food
▷ No.: 96002300101 (1l)
▷ No.: 96002300201 (5l)

14,0 Liter

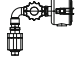




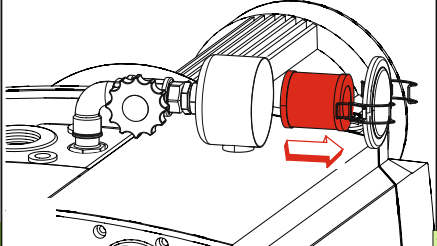
22

		MIN 1x/a 
40-200 h	INTAKE AIR ?	


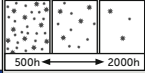


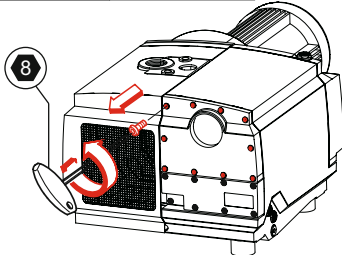
23

	
1000 h	


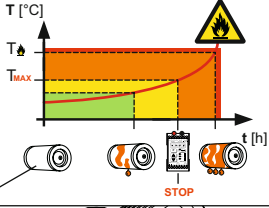
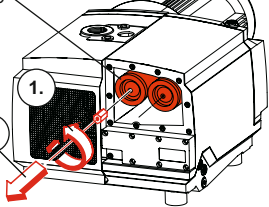


24




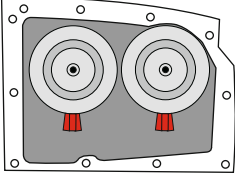
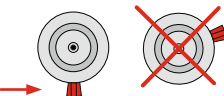
	
MAX 2000 h	INTAKE AIR ?




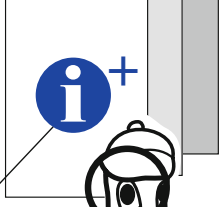

25

	 <p>T [°C]</p> <p>T_{MAX}</p> <p>t [h]</p> <p>STOP</p>
Pos. 89	

26

	2x Pos. 89 No.: 96541100000		
			
			

27

	
	
www.becker-international.com	

28



WWW.BECKER-INTERNATIONAL-SHOP.COM

Gebr. Becker GmbH
Hölker Feld 29-31
D-42279 Wuppertal
info@becker-international.com
www.becker-international.com





MAKE IT BECKER.

281.0026700 | 2020-04-17 | All rights reserved