

**BETRIEBSANLEITUNG
OPERATING INSTRUCTIONS
INSTRUCCIONES DE SERVICE
ISTRUZIONI D'USO
HANDLEIDING
INSTRUCCIONES PARA EL MANEJO
MANUAL DE INSTRUÇÕES
NAUDOJIMOSI INSTRUKCIJA
KASUTUSJUHEND
LIETOŠANAS INSTRUKCIJA
DRIFTSINSTRUKS
DRIFTSINSTRUKTIONER
DRIFTSVEJLEDNING
INSTRUKCJA OBSŁUGI**

**KEZELÉSI ÚTMUTATÓ
NÁVOD K OBSLUZE
NAVODILO ZA UPORABO
NÁVOD NA OBSLUHU
UPUTE ZA RAD
MANUAL DE OPERATII
TREORACHA OIBRIÚCHÁIN
ΟΔΗΓΙΕΣ ΧΡΗΣΗΣ
EL KITABI
ИНСТРУКЦИИ ЗА ЕКСПЛОАТАЦИЯ
ИНСТРУКЦИЯ ПО ЕКСПЛУАТАЦИИ
取扱説明書
사용설명서
使用说明书**

U 4.40

MAKE IT BECKER.



1

		mbar
DIN EN ISO 11203 Accuracy Class 2 $K_{pA} = 3 \text{ dB(A)}$ $I \leftarrow 1\text{m}$		$L_{pA} = 69 \text{ dB(A)} - 50\text{Hz}$ $L_{pA} = 71 \text{ dB(A)} - 60\text{Hz}$

2

			38 kg 84 lbs

3

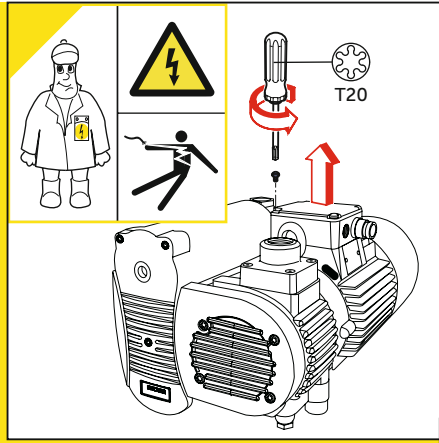
	Avoid condensation 	
0 10 20 30 40 T [°C]	max. 90%	Please consult
		> 5°C/41°F < 40°C/104°F A > 100mm A > 4"

4

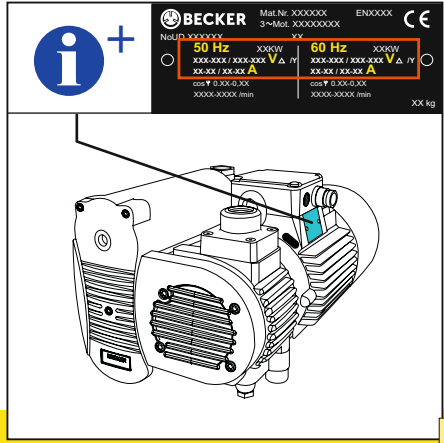
	Becker Lube M 100 (Mineral oil) ▷ No.: 96000900001 (1l) Becker Lube S 100 (Synthetic oil) ▷ No.: 96001600101 (1l) Becker Lube SL 100 Food ▷ No.: 96002300101 (1l)	

5

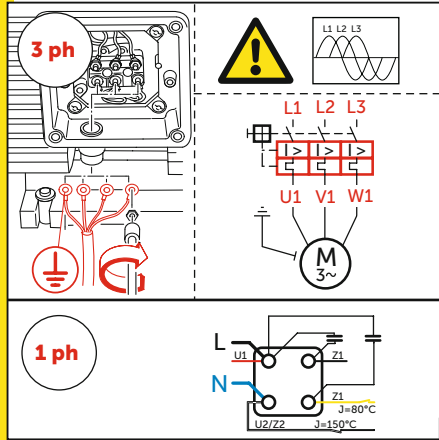
6



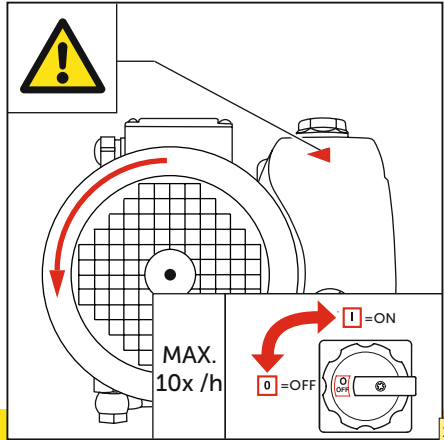
7



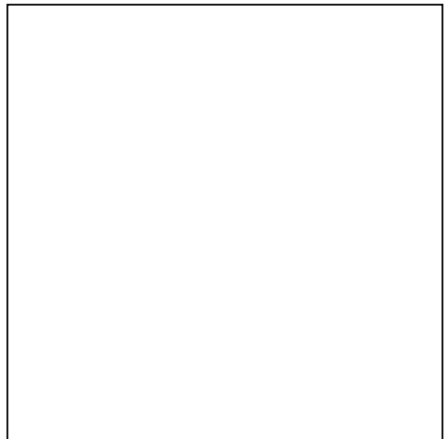
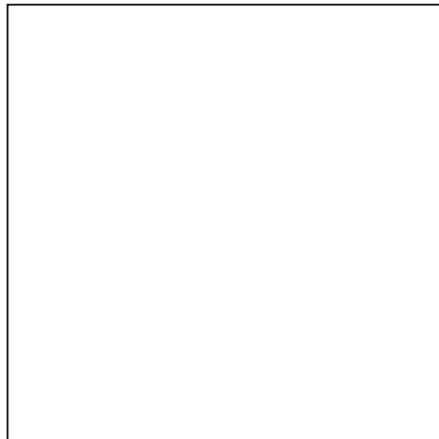
8

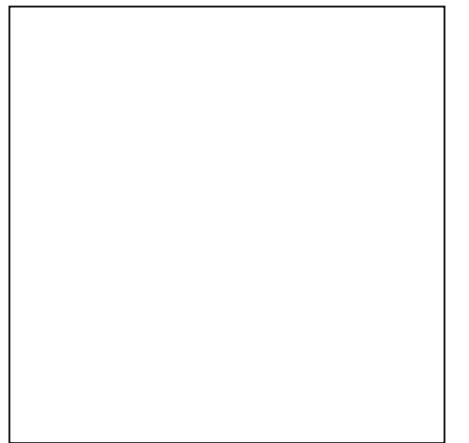
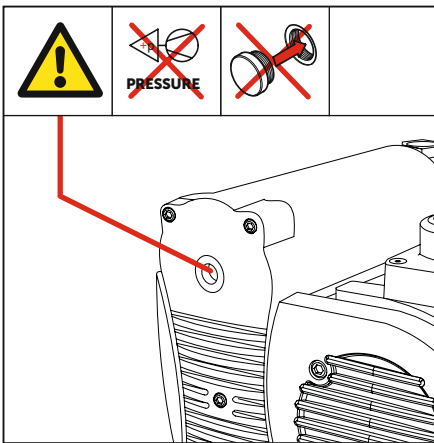
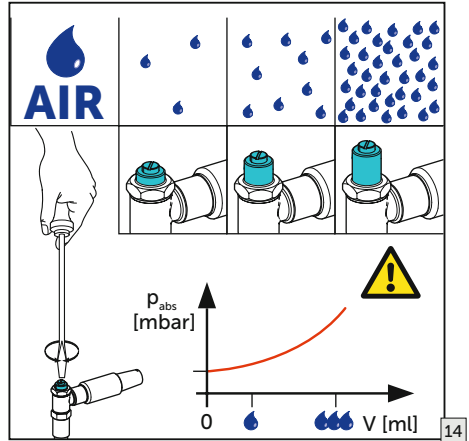
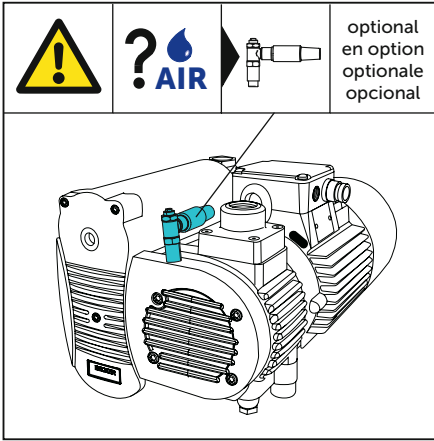
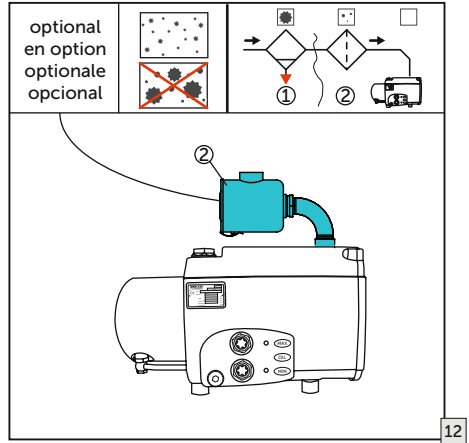
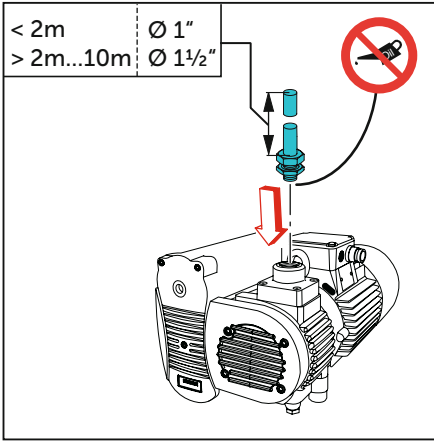


9

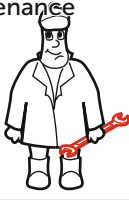




10


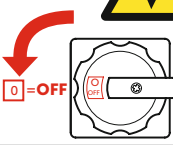









Maintenance

16









n=0min⁻¹




17


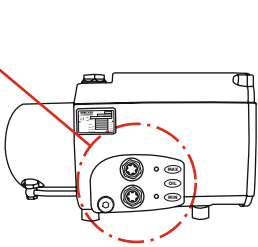
MAX
MIN





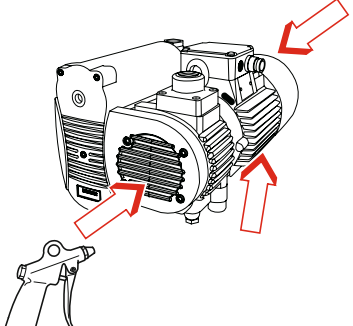
40 h




Becker Lube
M/S/SL 100



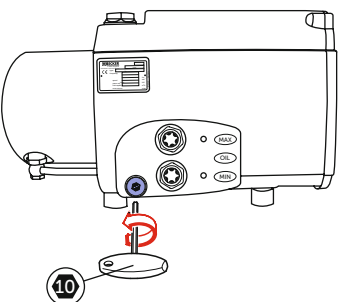
18

19



1. = 100 h
2. = 500 h
3. = 1.000 h
... (min. 2x/a)

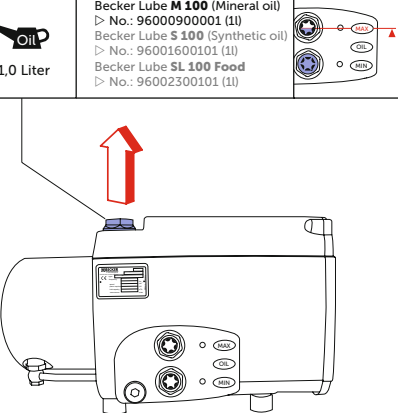




10


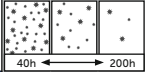

20

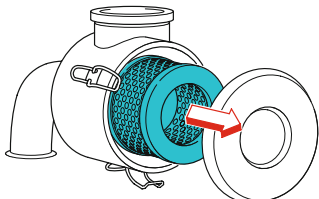
1.0 Liter

Becker Lube **M 100** (Mineral oil)
 ▷ No.: 9600900001 (1l)
 Becker Lube **S 100** (Synthetic oil)
 ▷ No.: 96001600101 (1l)
 Becker Lube **SL 100 Food**
 ▷ No.: 96002300101 (1l)

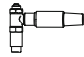




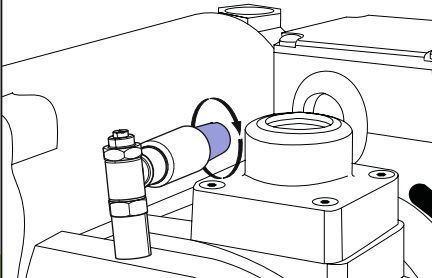
21

		MIN 1x/a 
40-200 h		INTAKE AIR ?


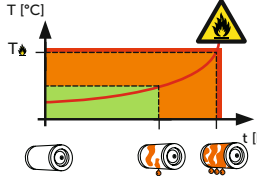





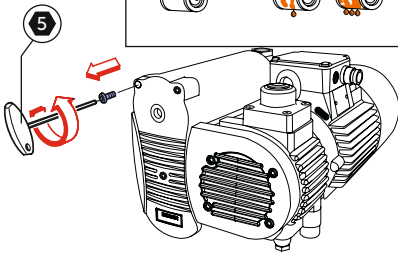
22

	1. 	2. 
1000 h		

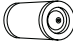



23

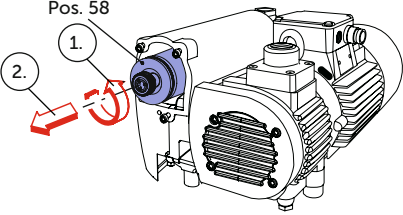
		
2000 h		


5. 

24

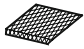

	Pos. 58 No.: 96541400000	
---	-----------------------------	--

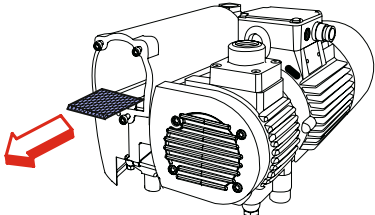
Pos. 58

1. 



2. 


25

	Clean 
---	---



26

	
---	---



www.becker-international.com

27



WWW.BECKER-INTERNATIONAL-SHOP.COM

Gebr. Becker GmbH
Hoelker Feld 29-31
42279 WUPPERTAL
GERMANY
info@becker-international.com
www.becker-international.com





28100040500 | 2021-12-07 | All rights reserved

MAKE IT BECKER.