

Betriebsanleitung
 Operating Instructions
 Instructions de service
 Istruzioni d'uso
 Handleiding
 Instrucciones para el manejo
 Manual de instruções
 Naudojimosi instrukcija
 Kasutusjuhend
 Lietošanas instrukcija
 Οδηγίες χρήσης
 取扱説明書
 사용설명서

Driftsinstruks
 Driftsinstruktioner
 Käyttöohje
 Driftsvejledning
 Instrukcja obsługi
 Kezelési útmutató
 Návod k obsluze
 Navodilo za uporabo
 Návod na obsluhu
 El Kitabi
 Инструкция по эксплуатации
 使用说明书

U 4.400

2006/42/EG




DIN EN ISO 14001:2005

DIN EN ISO 9001
001929 QM

<p>Becker Lube M/S/SL 100 ▷ 14,0 Liter</p>		<p>MAX. VACUUM</p>	<p>MAX. VACUUM mbar</p>
			<p>MAX. V m³/h</p>
<p>AIR</p>		<p>DIN EN ISO 3744</p>	<p> $L_{pA} = 78 \text{ dB(A)} - 50\text{Hz}$ $L_{pA} = 81 \text{ dB(A)} - 60\text{Hz}$ $K_{pA} = 3 \text{ dB(A)}$ </p>


<p>400 kg 882 lbs</p>		<p>A > 100mm A > 4"</p>	<p>> 5°C/41°F < 40°C/104°F</p>	<p>max. 90%</p>	<p>max. 800m</p>
<p>1</p>		<p>2</p>			

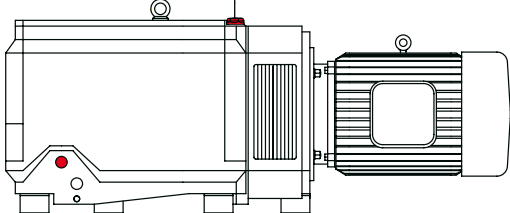


Oil
14,0 Liter

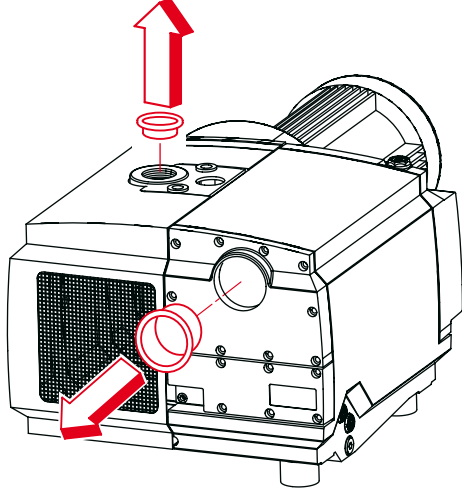
Becker Lube **M 100** (Mineral oil)
 ▷ No.: 96000900000 (1l)
 ▷ No.: 96000900200 (5l)
 Becker Lube **S 100** (Synthetic oil)
 ▷ No.: 96001600100 (1l)
 ▷ No.: 96001600200 (5l)
 Becker Lube **SL 100 Food**
 ▷ No.: 96002300100 (1l)
 ▷ No.: 96002300200 (5l)

MAX








3

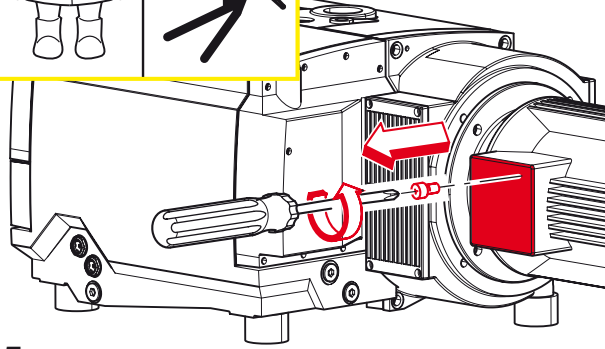


4








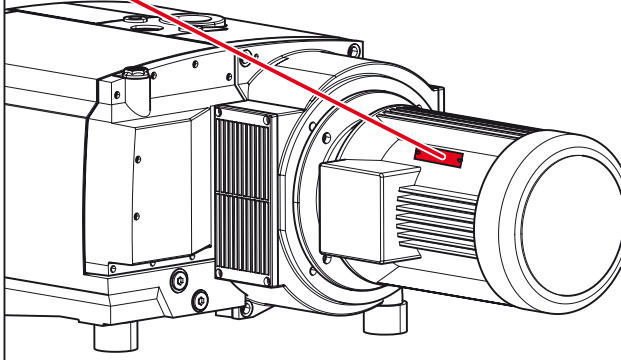


5

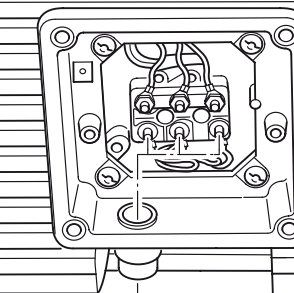


BECKER		Mat.Nr. XXXXXX	ENXXXX	CE
NoUn XXXXXX		3~Mot. XXXXXXXX		
50 Hz	XXKW	60 Hz	XXKW	
XXX-XXX / XXX-XXX V Δ / Y		XXX-XXX / XXX-XXX V Δ / Y		
XX-XX / XX-XX A		XX-XX / XX-XX A		
cos φ 0,XX-0,XX		cos φ 0,XX-0,XX		
XXXX-XXXX /min		XXXX-XXXX /min		


XX kg



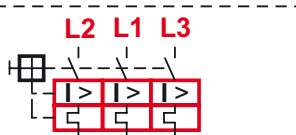
6



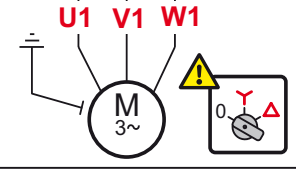
L1 L2 L3



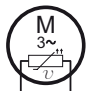
L2 L1 L3

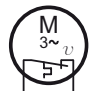



U1 V1 W1

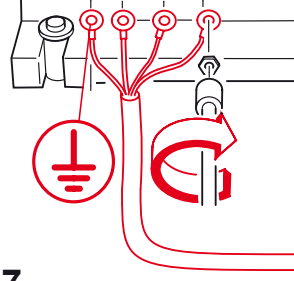


OPTIONAL




PTC

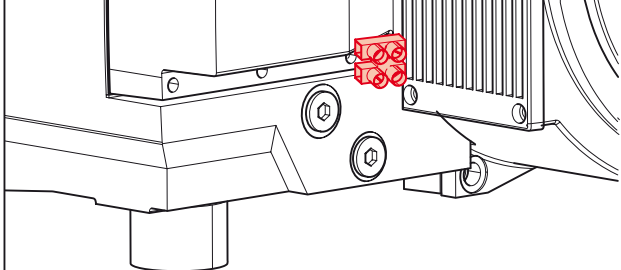

Bi-metal


Softstart

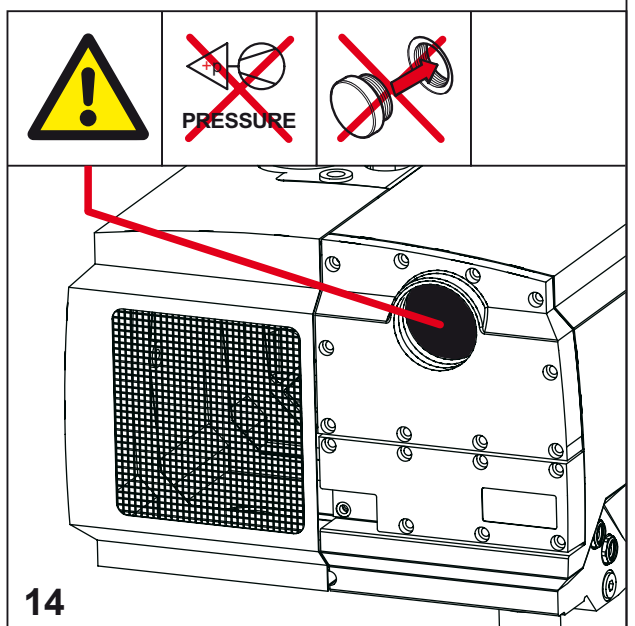
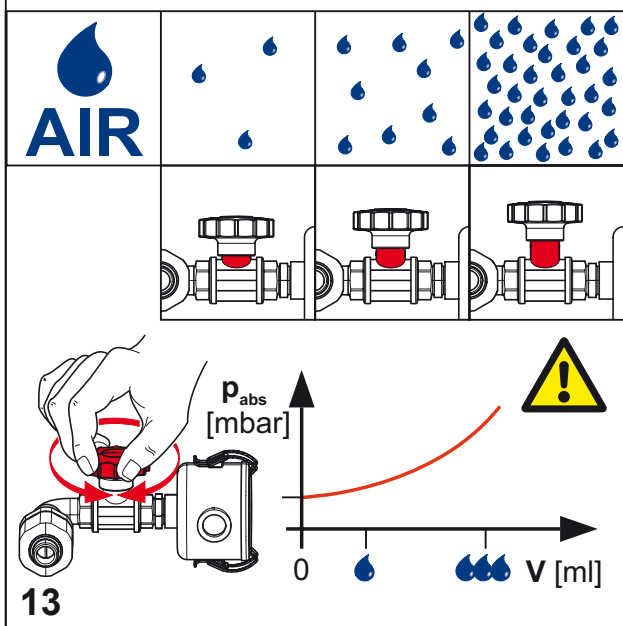
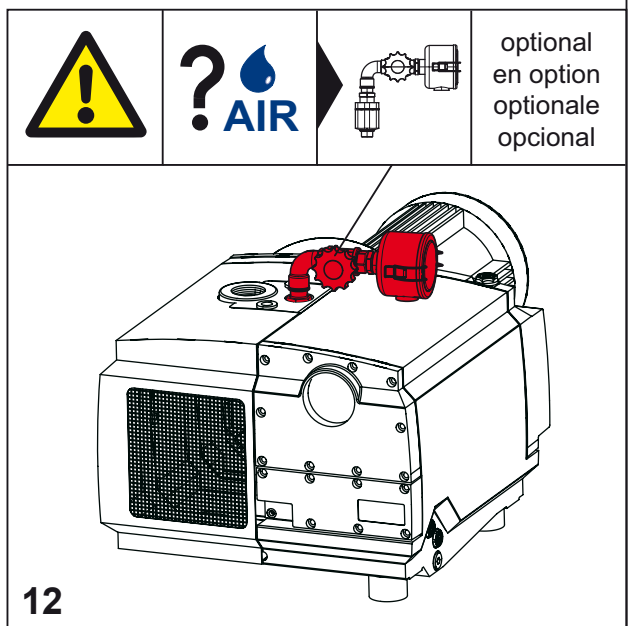
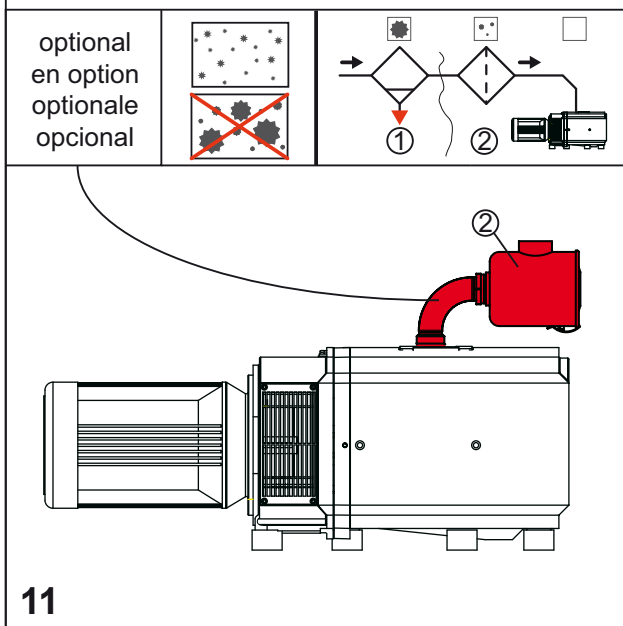
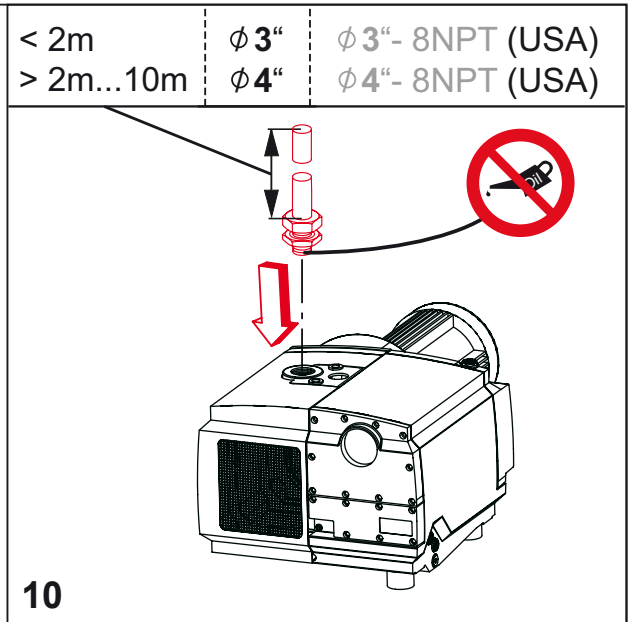
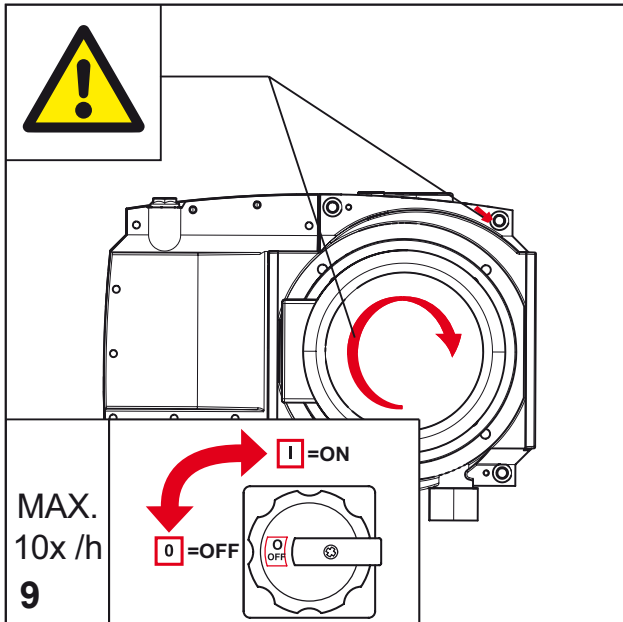


7

Pt 100		optional en option optionale opcional
		
		No.: 94340190000 - 230V No.: 94340190200 - 24VDC No.: 94340190100 - 115V



8



A.

B.

MAX
MIN

40 h

! < MIN

Becker Lube M/S/SL 100

C.

D.

Oil

1. = 100h
2. = 1.000h
3. = 2.000h
... (min. 2x/a)

Oil


14,0 Liter

Becker Lube M 100 (Mineral oil)
▷ No.: 96000900000 (1)
▷ No.: 96000900200 (5)
Becker Lube S 100 (Synthetic oil)
▷ No.: 96001600100 (1)
▷ No.: 96001600200 (5)
Becker Lube SL 100 Food
▷ No.: 96002300100 (1)
▷ No.: 96002300200 (5)

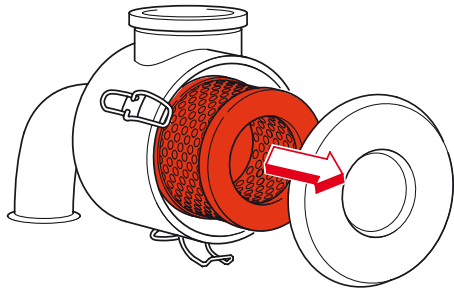
MAX

E.

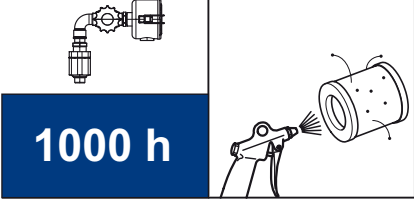
F.



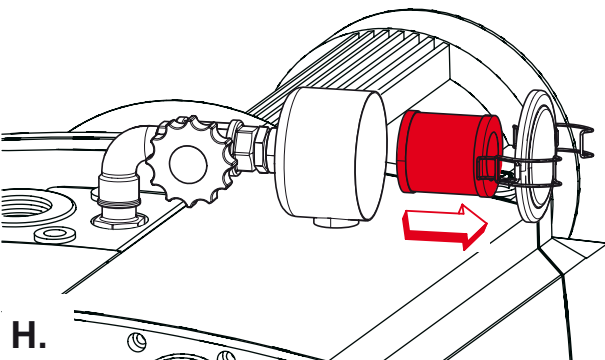
40 - 200 h **AIR ?**




G.



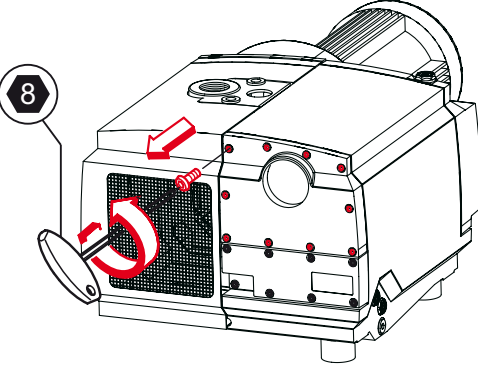
1000 h




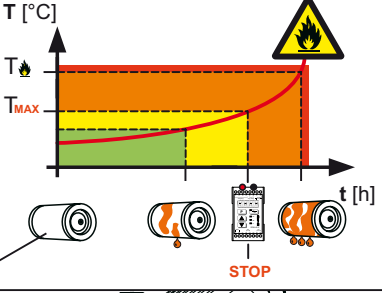
H.




2000 h




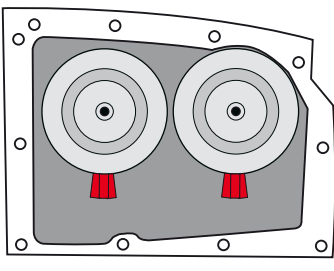
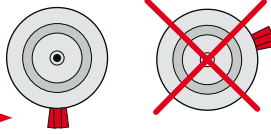
I.

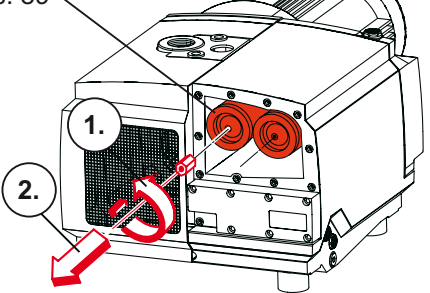
J.



2x Pos. 89
No.: 9654100000

K.



Pos. 89

1.

2.

The illustration shows a technician wearing a hard hat and safety glasses, holding a magnifying glass over a large question mark. To the left is a globe with lines connecting it to the question mark and the website address. To the right is a document with a blue 'i+' icon, representing information. The document also features a smaller version of the question mark icon.

BECKER
Betriebsanleitung Diferenciació
Operating Instructions Diferenciació
Instructions de service Káziplát
Manual de uso Diferenciació
Handboek Instrukcja obsługi
Instrucciones para el montaje Instrucțiunile de montaj
Manual de instrucție Návod k obsluze

www.becker-international.com



Gebr. Becker GmbH
Hölker Feld 29-31
D-42279 Wuppertal
info@becker-international.com

A world map is shown in the background. Overlaid on the map is the word "SERVICE" in large, bold, black letters. Below it, the website address www.becker-international.com is written in blue. At the bottom, the text "Sales and service network" is written in black.

SERVICE
www.becker-international.com
Sales and service network