

**BETRIEBSANLEITUNG
OPERATING INSTRUCTIONS
INSTRUCCIONES DE SERVICE
ISTRUZIONI D'USO
HANDLEIDING
INSTRUCCIONES PARA EL MANEJO
MANUAL DE INSTRUÇÕES
NAUDOJIMOSI INSTRUKCIJA
KASUTUSJUHEND
LIETOŠANAS INSTRUKCIJA
DRIFTSINSTRUKS
DRIFTSINSTRUKTIONER
DRIFTSVEJLEDNING
INSTRUKCJA OBSŁUGI**

**KEZELÉSI ÚTMUTATÓ
NÁVOD K OBSLUZE
NAVODILO ZA UPORABO
NÁVOD NA OBSLUHU
UPUTE ZA RAD
MANUAL DE OPERATII
TREORACHA OIBRIÚCHÁIN
ΟΔΗΓΙΕΣ ΧΡΗΣΗΣ
EL KITABI
ИНСТРУКЦИИ ЗА ЕКСПЛОАТАЦИЯ
ИНСТРУКЦИЯ ПО ЕКСПЛОАТАЦИИ
取扱説明書
사용설명서
使用说明书**

SV 130

MAKE IT BECKER.



1

	<table border="1"> <tr><td>Model</td><td>SV130/1</td></tr> <tr><td>Part No.</td><td>422342</td></tr> <tr><td>Compressor / fan speed</td><td>500</td></tr> <tr><td>Speed</td><td>500</td></tr> <tr><td>Frequency</td><td>500</td></tr> <tr><td>Speed</td><td>500</td></tr> <tr><td>Power required</td><td>500</td></tr> <tr><td>Power capacity</td><td>500</td></tr> <tr><td>Pressure</td><td>500</td></tr> <tr><td>Weight</td><td>500</td></tr> </table>	Model	SV130/1	Part No.	422342	Compressor / fan speed	500	Speed	500	Frequency	500	Speed	500	Power required	500	Power capacity	500	Pressure	500	Weight	500	m^3/h $mbar$
Model	SV130/1																					
Part No.	422342																					
Compressor / fan speed	500																					
Speed	500																					
Frequency	500																					
Speed	500																					
Power required	500																					
Power capacity	500																					
Pressure	500																					
Weight	500																					
 DIN EN ISO 11203 Accuracy Class 2 $K_{pA} = 3 \text{ dB(A)}$ $r = 1m$	SV 130/1 (Pressure) ▶ 50/60 Hz, +185/+200 mbar $L_{pA} = 64.2/67.9 \text{ dB(A)}$																					
	SV 130/1 (Vacuum) ▶ 50/60 Hz, -155/-180 mbar $L_{pA} = 62.6/67.8 \text{ dB(A)}$																					
	SV 130/2 (Pressure) ▶ 50/60 Hz, +265/+235 mbar $L_{pA} = 66.2/67.0 \text{ dB(A)}$																					
	SV 130/2 (Vacuum) ▶ 50/60 Hz, -255/-260 mbar $L_{pA} = 64.7/66.9 \text{ dB(A)}$																					

2

static inst. ①-④		dynamic installation
The pump must be securely mounted at the place of installation. Physical tension on the blower housing must be avoided.		
		26,3 kg 58 lbs

3


	40°C/104°F 15°C/59°F 1~ -10°C/14°F 3~	 optional en option optionale opcional Filter
INLET AIR	40°C/104°F 0°C/32°F	
	A > 100mm A > 4"	B > 295mm B > 11½"
 max. 800m	 max. 90%	 A

4

5

	VACUUM		PRESSURE
			AIR
			>100°C >212°F
		optional en option optionale opcional	

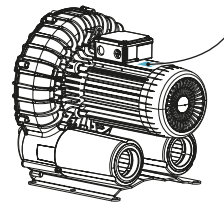
6



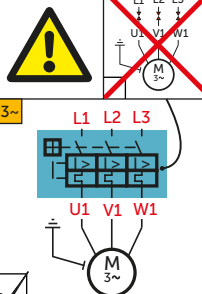
i+

Frequency > 60Hz
Please consult **BECKER**

50 Hz	60 Hz
230/240 V	200/208 V
200/208 V	230/240 V
16 A	15 A
16 A	15 A
16 A	15 A
16 A	15 A



7



1~

3~

L1 L2 L3

U1 V1 W1

M 3~

M 1~/3~

optional

standard

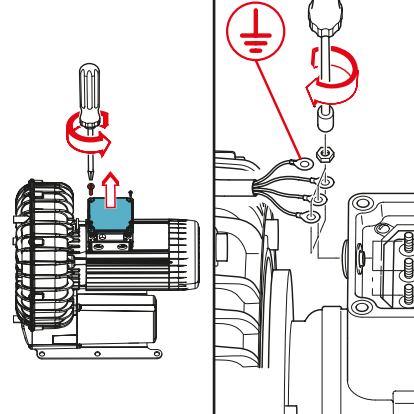
PTC

Bi-metal

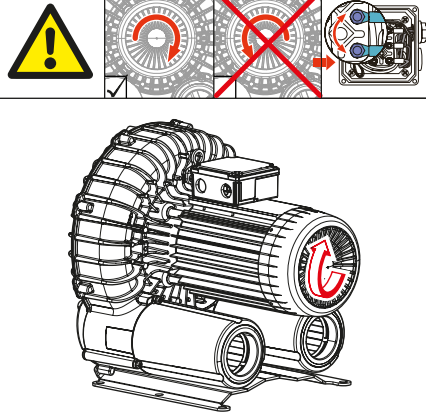
ON (I) - 1 2 MAX 10x/h

OFF (0) -

8



9



10

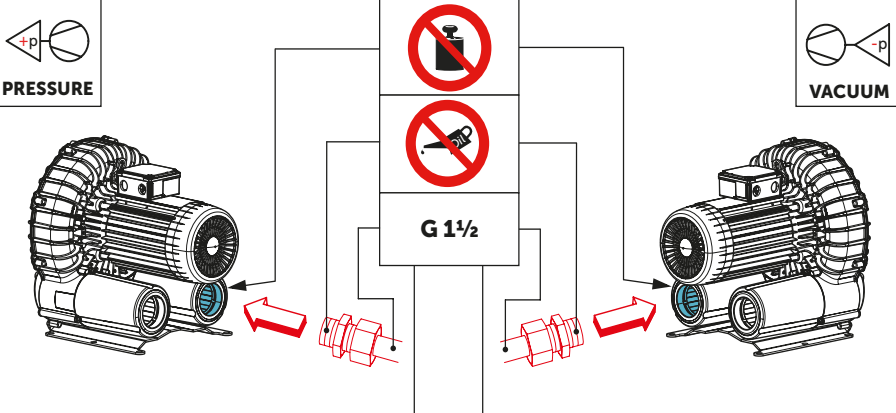
+ **-**

PRESSURE

G 1½




- **+**

VACUUM


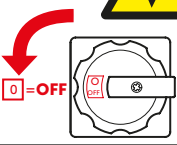






11


Maintenance

12

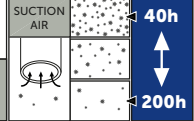







n=0min⁻¹



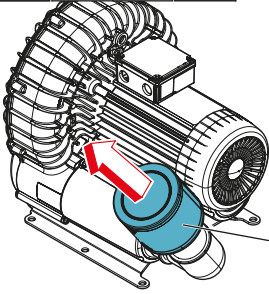
13

CLEANING INTERVAL



PRESSURE

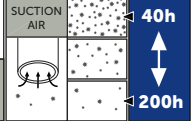
optional
en option
optionale
opcional



F1

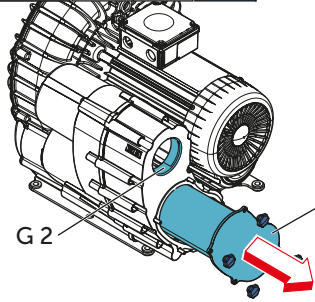
14

CLEANING INTERVAL



VACUUM PRESSURE


optional
en option
optionale
opcional



G 2

F2

15




F1: PRESSURE

No.: 74000501000




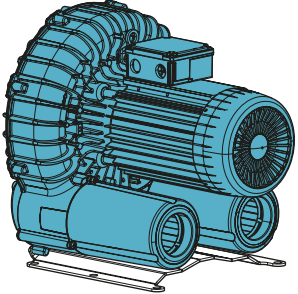
F2: VACUUM + PRESSURE

No.: 90951070000



EN149 - FFP3
42 CFR 84 - N100

16

17



Gebr. Becker GmbH
Hoelker Feld 29-31
42279 WUPPERTAL
GERMANY
info@becker-international.com
www.becker-international.com



The logo consists of a circular icon with three stylized human figures inside, followed by the word **BECKER** in a bold, blue, sans-serif font.



MAKE IT BECKER.

281.00.060100 | 2021-02-05 | All rights reserved