


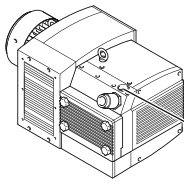







BETRIEBSANLEITUNG  
OPERATING INSTRUCTIONS  
INSTRUCTIONS DE SERVICE  
ISTRUZIONI D'USO  
HANDLEIDING  
INSTRUCCIONES PARA EL MANEJO  
MANUAL DE INSTRUÇÕES  
NAUDOJIMOSI INSTRUKCIJA  
KASUTUSJUHEND  
LIETOŠANAS INSTRUKCIJA  
DRIFTSINSTRUKS  
DRIFTSINSTRUKTIONER  
DRIFTSVEJLEDNING  
INSTRUKCJA OBSŁUGI

KEZELÉSI ÚTMUTATÓ  
NÁVOD K OBSLUZE  
NAVODILO ZA UPORABO  
NÁVOD NA OBSLUHU  
UPUTE ZA RAD  
MANUAL DE OPERATII  
TREORACHA OIBRIÚCHÁIN  
ΟΔΗΓΙΕΣ ΧΡΗΣΗΣ  
EL KITABI  
ИНСТРУКЦИИ ЗА ЕКСПЛОАТАЦИЯ  
ИНСТРУКЦИЯ ПО ЕКСПЛУАТАЦИИ  
取扱説明書  
사용설명서  
使用说明书


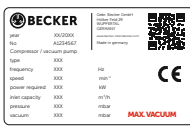
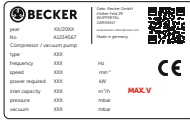
## KVX 3.80


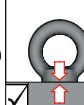


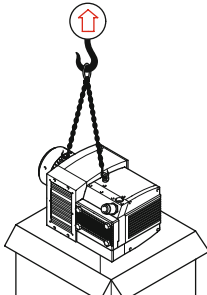
MAKE IT BECKER.





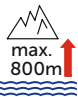
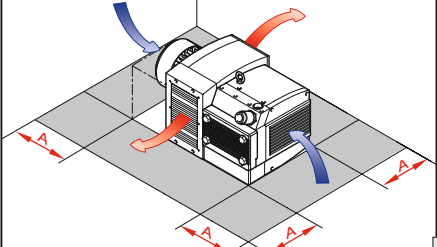
 		
		
 <p><b>AIR</b></p>		
		

1


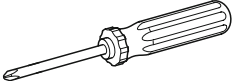

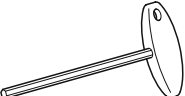

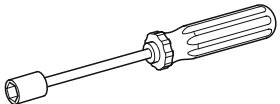
<p><b>MAX. VACUUM</b></p>  <p><b>MAX.</b></p>		<p>mbar</p>
		<p>m<sup>3</sup>/h</p>
<p><b>L<sub>pA</sub></b> )))</p> <p>DIN EN ISO 11203 Accuracy Class 2 K<sub>son</sub> = 3 dB(A) l = 1m</p>	<p>L<sub>pA</sub> = 72 dB(A) - 50Hz L<sub>pA</sub> = 75 dB(A) - 60Hz</p>	<p>2</p>

			 <p>78-86 kg 172-190 lbs</p>
			

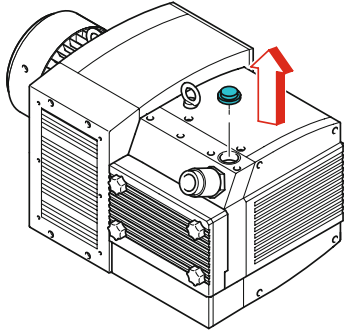
3

<p>A &gt; 100mm A &gt; 4"</p>	 <p>&gt; 5°C/41°F &lt; 45°C/113°F</p>	 <p>max. 90%</p>	 <p>max. 800m</p>
			

4

 <p>No. 2</p>	
 <p>5 mm</p>	
 <p>7 mm</p>	
<p>10 mm</p>	

5



6

**MOTOR-PROTECTION**

=

50Hz	60Hz
XXX / XXX V	XXX / XXX V
XXX / XXX A	XXX / XXX A

**SERVICE FACTOR**  
 $\times$   
**RATED CURRENT**

7

**optional**

Bi-metal

PTC

8

9

10

0    2    10 [m]

1"    1 1/2" + 1x

**VACUUM**

11

**BECKER**

year: XXX/20XX

no.: A1234567

Compressor / vacuum pump

type: XXX

frequency: XXX Hz

speed: XXX mm<sup>3</sup>

power required: XXX kW

inlet capacity: XXX m<sup>3</sup>/h




pressure: XXX mbar

vacuum: XXX


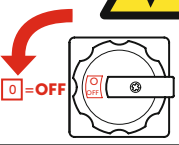




Color: Becker GmbH  
Industrie-Post 20  
WUTROTTAL  
Germany  
Made in Germany

12


**Maintenance**

13









**n=0min<sup>-1</sup>**

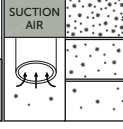


14


**CLEANING INTERVAL**



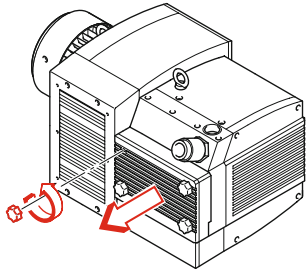
SUCTION AIR



40h  
200h

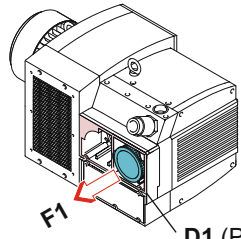


EN149 - FFP3  
42 CFR 84 - N100



15


1.




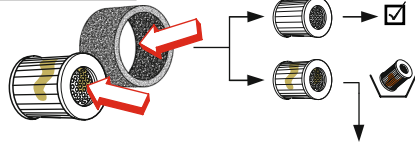
F1

D1 (Pos. 75)

2.

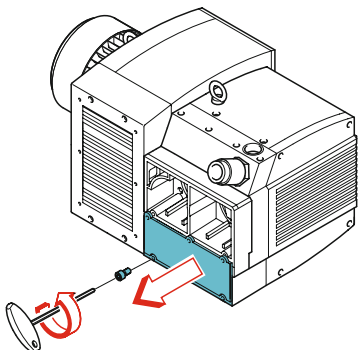


16

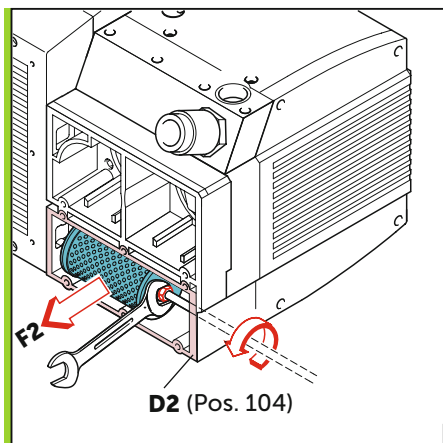



**F1**  
No.: 90950701

17



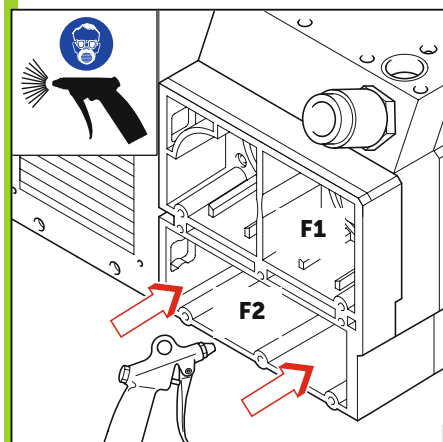
18



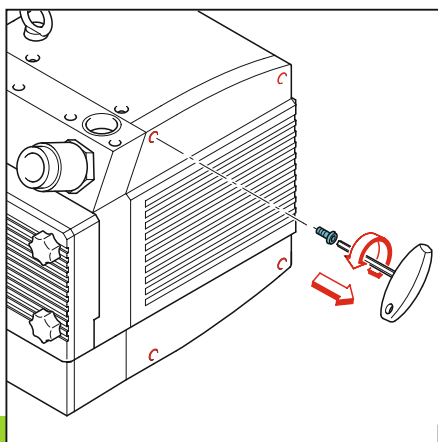
19

<p><b>F2</b> No.: 909510 0000</p>	
	<p>Satz / Kit Pos.: 17, 20, 24, 62, <b>75</b>, 76, 85, 86, <b>104</b>, 122, 125, 126, 146, No.: 549000 21100</p>

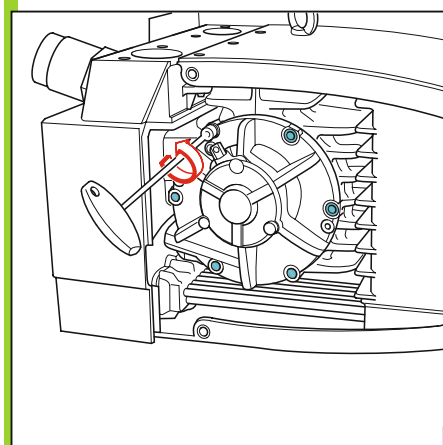
20



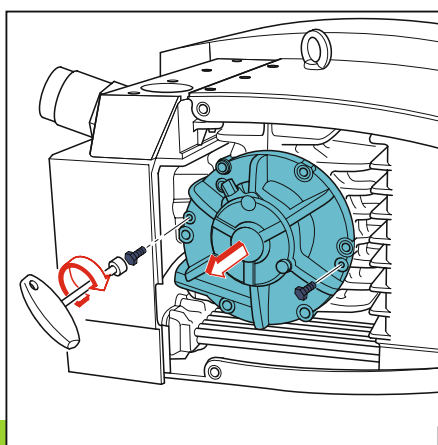
21



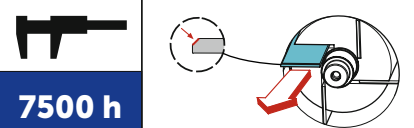
22



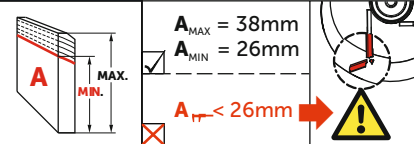
23



24



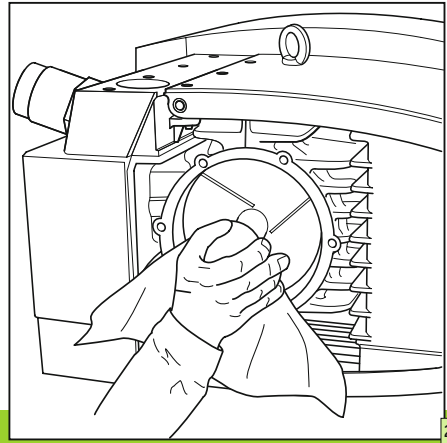
**7500 h**



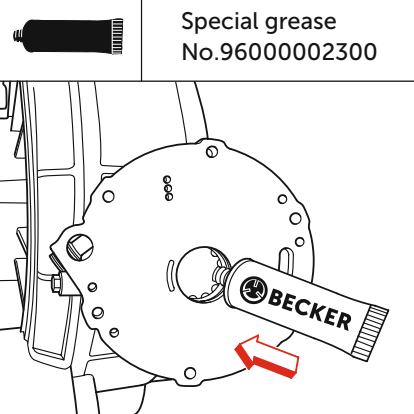
$A_{MAX} = 38\text{mm}$   
 $A_{MIN} = 26\text{mm}$   
 $A_T < 26\text{mm}$  ⚠

→ No. 9014010004 (SET)

25

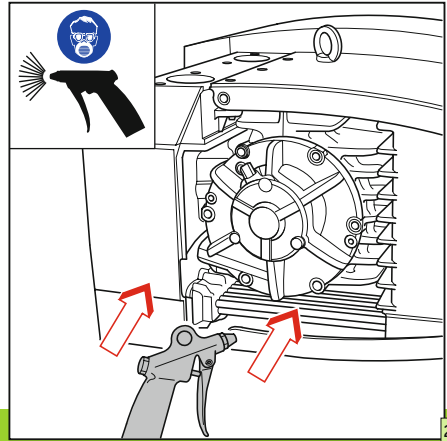


26





Special grease  
 No.96000002300

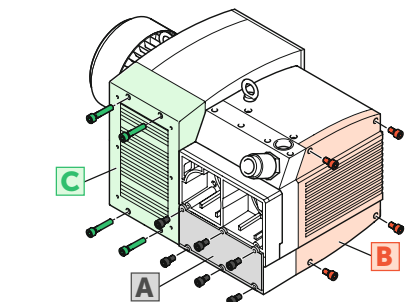
27



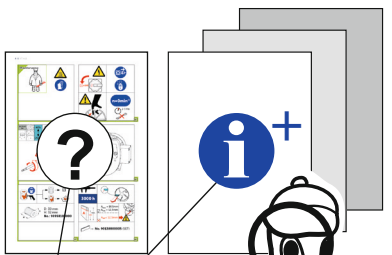
28

<b>A</b>	6x			11Nm
<b>B</b>	4x			3Nm
<b>C</b>	4x			3Nm



29




[www.becker-international.com](http://www.becker-international.com)

30



[WWW.BECKER-INTERNATIONAL-SHOP.COM](http://WWW.BECKER-INTERNATIONAL-SHOP.COM)

Gebr. Becker GmbH  
Hoelker Feld 29-31  
42279 WUPPERTAL  
GERMANY  
[info@becker-international.com](mailto:info@becker-international.com)  
[www.becker-international.com](http://www.becker-international.com)





**MAKE IT BECKER.**

281.0050702 | 2020-12-08 | All rights reserved