


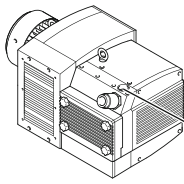







BETRIEBSANLEITUNG
OPERATING INSTRUCTIONS
INSTRUCCIONES DE SERVICE
ISTRUZIONI D'USO
HANDLEIDING
INSTRUCCIONES PARA EL MANEJO
MANUAL DE INSTRUÇÕES
NAUDOJIMOSI INSTRUKCIJA
KASUTUSJUHEND
LIETOŠANAS INSTRUKCIJA
DRIFTSINSTRUKS
DRIFTSINSTRUKTIONER
DRIFTSVEJLEDNING
INSTRUKCJA OBSŁUGI

KEZELÉSI ÚTMUTATÓ
NÁVOD K OBSLUZE
NAVODILO ZA UPORABO
NÁVOD NA OBSLUHU
UPUTE ZA RAD
MANUAL DE OPERATII
TREORACHA OIBRIÚCHÁIN
ΟΔΗΓΙΕΣ ΧΡΗΣΗΣ
EL KITABI
ИНСТРУКЦИИ ЗА ЕКСПЛОАТАЦИЯ
ИНСТРУКЦИЯ ПО ЕКСПЛУАТАЦИИ
取扱説明書
사용설명서
使用说明书




KVX 3.140

MAKE IT BECKER.


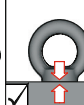


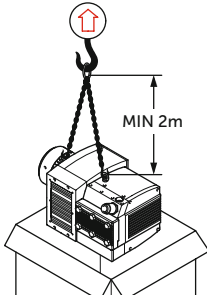


 	
	
 <p>AIR</p>	 
	 



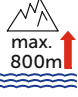
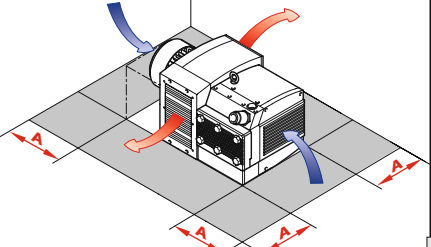
1

<p>MAX. VACUUM</p>  <p>MAX.</p>	 <table border="1"> <tr><td>Line</td><td>800206</td></tr> <tr><td>Ref</td><td>A22M167</td></tr> <tr><td>Compressor / Vacuum pump</td><td></td></tr> <tr><td>Year</td><td>200</td></tr> <tr><td>Frequency</td><td>50 Hz</td></tr> <tr><td>Speed</td><td>1400 rpm</td></tr> <tr><td>Power input</td><td>160 W</td></tr> <tr><td>Stroke capacity</td><td>10 l/min</td></tr> <tr><td>Pressure</td><td>0.095 mbar</td></tr> <tr><td>Capacity</td><td>0.028 m³/h</td></tr> </table> <p>MAX. VACUUM mbar</p>	Line	800206	Ref	A22M167	Compressor / Vacuum pump		Year	200	Frequency	50 Hz	Speed	1400 rpm	Power input	160 W	Stroke capacity	10 l/min	Pressure	0.095 mbar	Capacity	0.028 m³/h
	Line	800206																			
Ref	A22M167																				
Compressor / Vacuum pump																					
Year	200																				
Frequency	50 Hz																				
Speed	1400 rpm																				
Power input	160 W																				
Stroke capacity	10 l/min																				
Pressure	0.095 mbar																				
Capacity	0.028 m³/h																				
	 <table border="1"> <tr><td>Line</td><td>800206</td></tr> <tr><td>Ref</td><td>A22M167</td></tr> <tr><td>Compressor / Vacuum pump</td><td></td></tr> <tr><td>Year</td><td>200</td></tr> <tr><td>Frequency</td><td>50 Hz</td></tr> <tr><td>Speed</td><td>1400 rpm</td></tr> <tr><td>Power input</td><td>160 W</td></tr> <tr><td>Stroke capacity</td><td>10 l/min</td></tr> <tr><td>Pressure</td><td>0.095 mbar</td></tr> <tr><td>Capacity</td><td>0.028 m³/h</td></tr> </table> <p>MAX. V m³/h</p>	Line	800206	Ref	A22M167	Compressor / Vacuum pump		Year	200	Frequency	50 Hz	Speed	1400 rpm	Power input	160 W	Stroke capacity	10 l/min	Pressure	0.095 mbar	Capacity	0.028 m³/h
Line	800206																				
Ref	A22M167																				
Compressor / Vacuum pump																					
Year	200																				
Frequency	50 Hz																				
Speed	1400 rpm																				
Power input	160 W																				
Stroke capacity	10 l/min																				
Pressure	0.095 mbar																				
Capacity	0.028 m³/h																				
<p>L_{pA})))</p> <p>DIN EN ISO 11203 Accuracy Class 2 K_{son} = 3 dB(A) l ← 1m</p>	<p>L_{pA} = 76 dB(A) - 50Hz L_{pA} = 79 dB(A) - 60Hz</p>																				


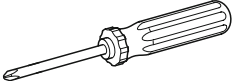

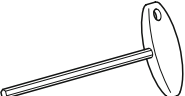

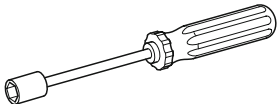
2

			 <p>111 kg 245 lbs</p>
			

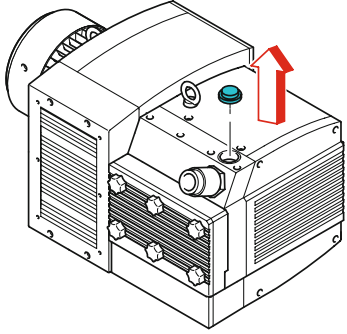
3

<p>A > 100mm A > 4"</p>	 <p>> 5°C/41°F < 45°C/113°F</p>	 <p>max. 90%</p>	 <p>max. 800m</p>
			

4

 <p>No. 2</p>	
 <p>5 mm</p>	
 <p>7 mm 10 mm</p>	

5



6

MOTOR-PROTECTION

=

50Hz	60Hz
XXX / XXX V	XXX / XXX V
XXX / XXX A	XXX / XXX A

SERVICE FACTOR

X

RATED CURRENT

7

optional

Bi-metal

PTC

¹⁾ motor protection switch

8

9

10

VACUUM

11

BECKER		Color: Becker GmbH Industriestraße 20 WUTROTHAL Germany Made in Germany	 CE
year	XXX/20XX		
no.	A1234567		
Compressor / vacuum pump			
type	XXX		
frequency	XXX	Hz	
speed	XXX	mm ³	
power required	XXX	kW	
inlet capacity	XXX	m ³ /h	
pressure	XXX	mbar	
vacuum	XXX	@xxxx	

12

Maintenance



13



n=0min⁻¹



14

CLEANING INTERVAL

SUCTION AIR

40h

200h

EN149 - FFP3
42 CFR 84 - N100

15

1.

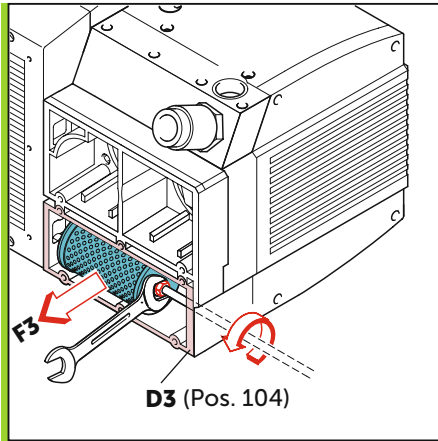
2.

16

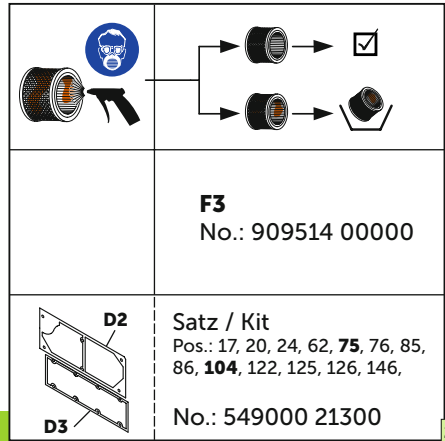
F1 = F2
No.: 90950701

17

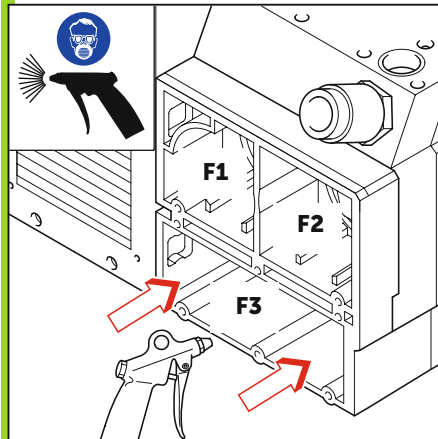
18



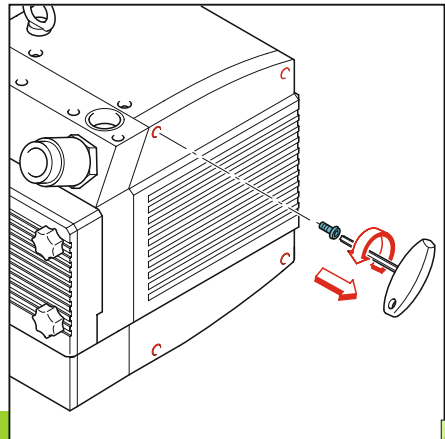
19



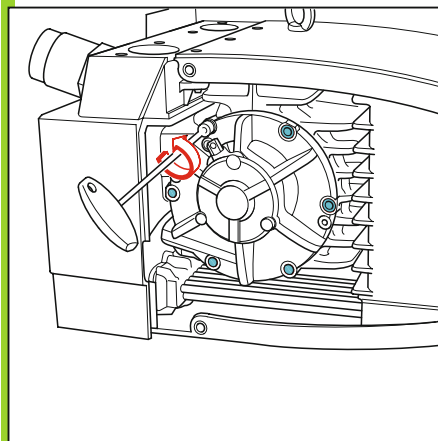
20



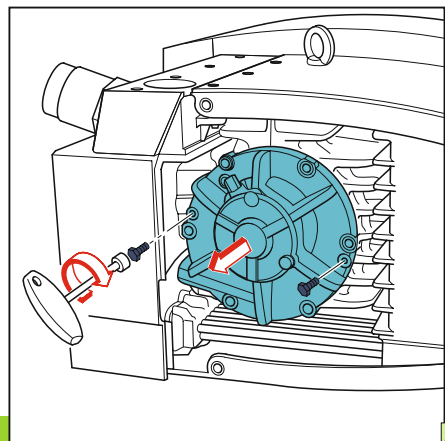
21



22



23



24

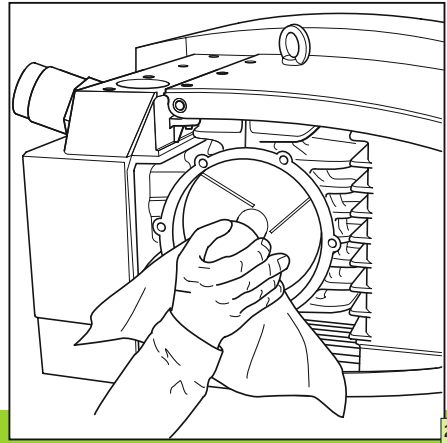
7500 h

$A_{MAX} = 47\text{mm}$
 $A_{MIN} = 31\text{mm}$

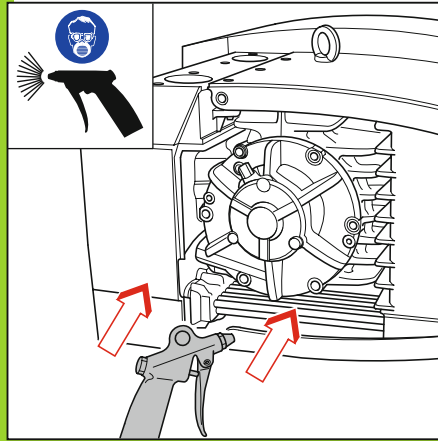
$A_T < 31\text{mm}$ ⚠

→ No. 90132400004 (SET)

25



26



27

2000 h

No. 74330500000

1. = ON

2. Special grease

15x (~7g)

28

A	8x	⚙️	11Nm
B	4x	⚙️	3Nm
C	4x	⚙️	3Nm

⚠

5

29

?

i+

www.becker-international.com

30



WWW.BECKER-INTERNATIONAL-SHOP.COM

Gebr. Becker GmbH
Hoelker Feld 29-31
42279 WUPPERTAL
GERMANY
info@becker-international.com
www.becker-international.com





28100050902 | 2021-12-06 | All rights reserved

MAKE IT BECKER.