


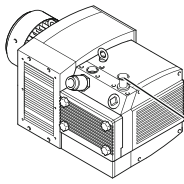







BETRIEBSANLEITUNG
OPERATING INSTRUCTIONS
INSTRUCTIONS DE SERVICE
ISTRUZIONI D'USO
HANDLEIDING
INSTRUCCIONES PARA EL MANEJO
MANUAL DE INSTRUÇÕES
NAUDOJIMOSI INSTRUKCIJA
KASUTUSJUHEND
LIETOŠANAS INSTRUKCIJA
DRIFTSINSTRUKS
DRIFTSINSTRUKTIONER
DRIFTSVEJLEDNING
INSTRUKCJA OBSŁUGI

KEZELÉSI ÚTMUTATÓ
NÁVOD K OBSLUZE
NAVODILO ZA UPORABO
NÁVOD NA OBSLUHU
UPUTE ZA RAD
MANUAL DE OPERATII
TREORACHA OIBRIÚCHÁIN
ΟΔΗΓΙΕΣ ΧΡΗΣΗΣ
EL KITABI
ИНСТРУКЦИИ ЗА ЕКСПЛОАТАЦИЯ
ИНСТРУКЦИЯ ПО ЕКСПЛОАТАЦИИ
取扱説明書
사용설명서
使用说明书




KDT 3.80


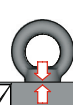


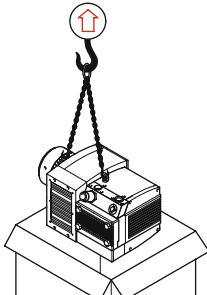
MAKE IT BECKER.





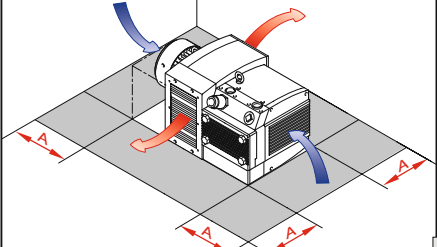
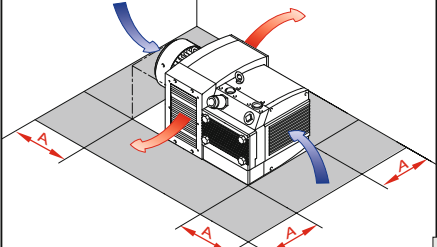
 		
		
 <p>AIR</p>		
		

1


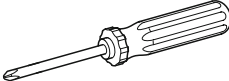



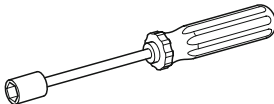
<p>MAX. PRESSURE</p>		<p>mbar</p>
	 <p>MAX.</p>	
<p>L_{pA})))</p> <p>DIN EN ISO 11203 Accuracy Class 2 K_{son} = 3 dB(A) l ← 1m</p>	<p>L_{pA} = 74 dB(A) - 50Hz L_{pA} = 76 dB(A) - 60Hz</p>	<p>2</p>

			 <p>73-85 kg 161-187 lbs</p>
			

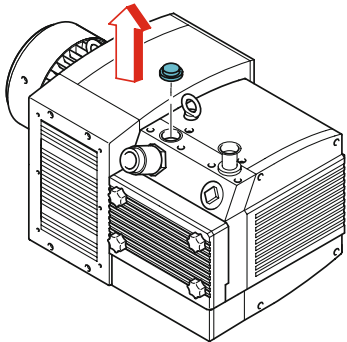
3

<p>A > 100mm A > 4"</p>	 <p>> 5°C/41°F < 45°C/113°F</p>	 <p>max. 90%</p>	 <p>max. 800m</p>
			


4


 <p>No. 2</p>	
 <p>5 mm</p>	
 <p>7 mm 10 mm</p>	


5



6



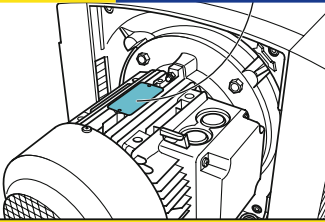





MOTOR-PROTECTION
=

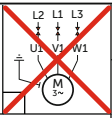
50Hz	60Hz
XXX / XXX V	XXX / XXX V
XXX / XXX A	XXX / XXX A

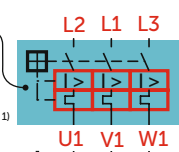
SERVICE FACTOR
X
RATED CURRENT




7



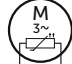




optional

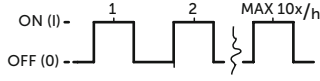


Bi-metal

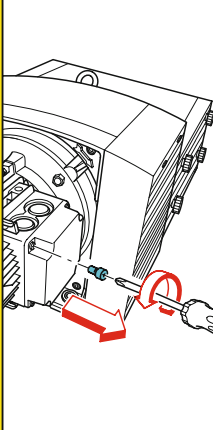
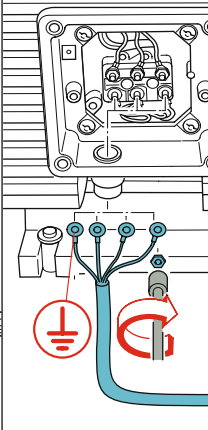


PTC


1) motor protection switch

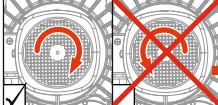


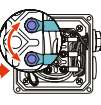
8

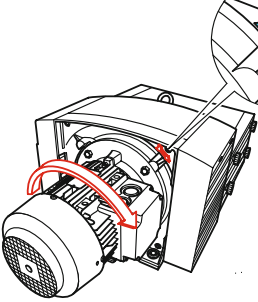



9








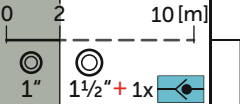


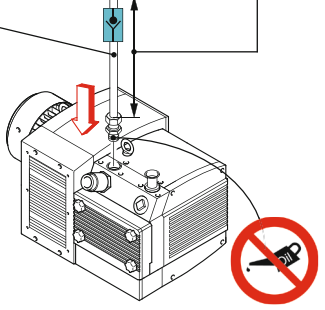
10




PRESSURE

0 2 10 [m]






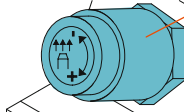
11



BECKER Center Becker GmbH
Industrie Park 20
49129 STELLINGMA
Germany
http://www.becker.com/germany

year	XXX/20XX	
no.	A1234567	
Compressor / vacuum pump		
type	XXX	
frequency	XXX	Hz
speed	XXX	mm ³
power required	XXX	kW
inlet capacity	XXX	m ³ /h
pressure	XXX	mbars
vacuum	XXX	mmbar





12

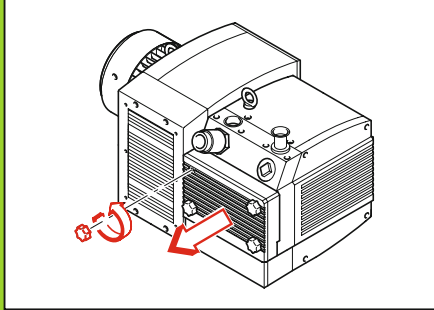
Maintenance



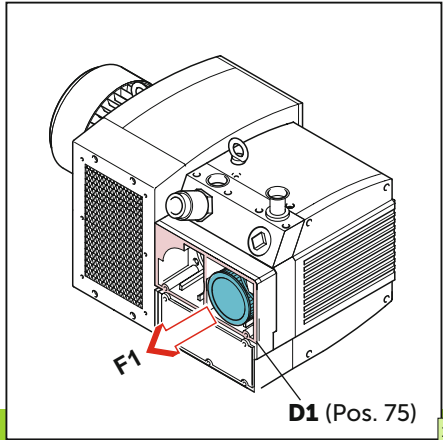
13

14

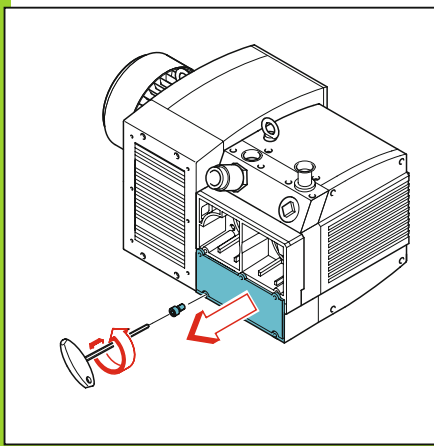
 CLEANING INTERVAL	<p>SUCTION AIR</p>	<p>40h</p> <p>↑ ↓</p> <p>200h</p>	 EN149 - FFP3 42 CFR 84 - N100
------------------------------	--------------------	-----------------------------------	--------------------------------------



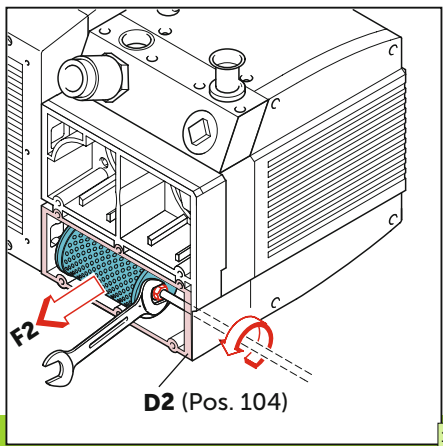
15



16



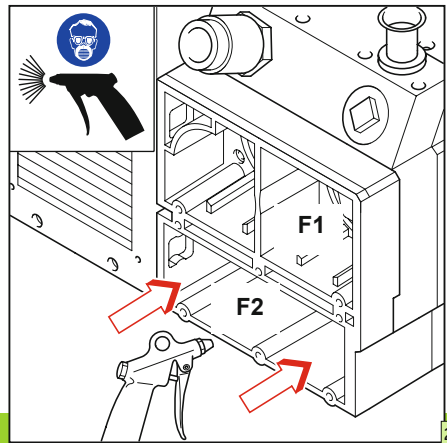
17



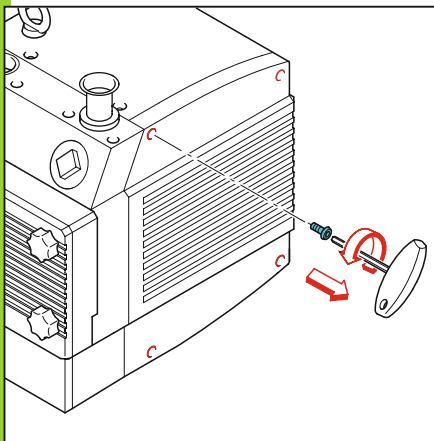
18

F1 (standard) No.: 909507	F1* (polyester) KDT 3.80/6 No.: 909587	F2 (standard) No.: 909510
	Satz / Kit Pos.: 20, 24, 62, 75, 76, 85, 104, 125, 126, 146, 288 No.: 549000 21100	

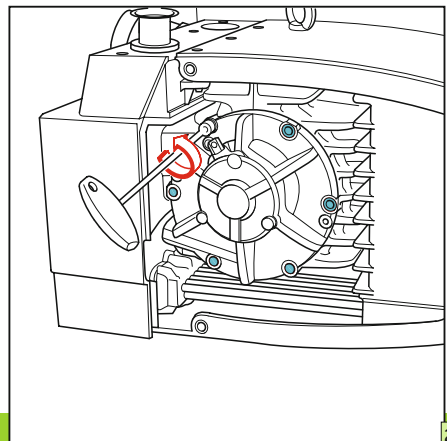
19



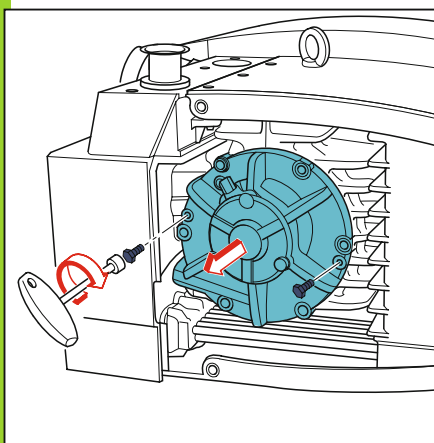
20



21



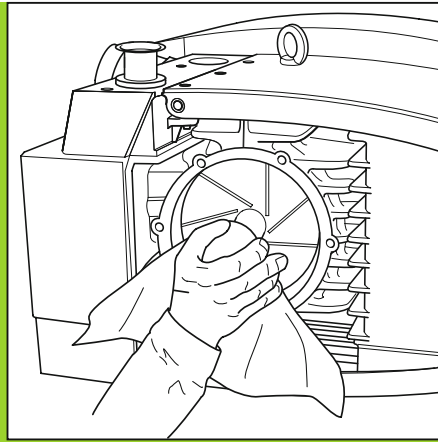
22



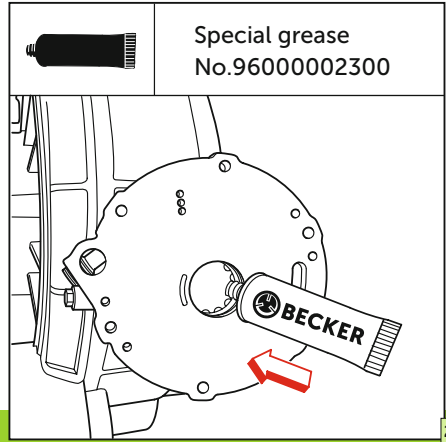
23

3000 h	
	$A_{MAX} = 38mm$ $A_{MIN} = 26mm$
	$A_{MIN} < 26mm$
KDT 3.80 (standard) → No. 90133000004 (SET) KDT 3.80/0-52 → No. 90137900004 (SET) KDT 3.80/6 → No. 90137900004 (SET)	

24

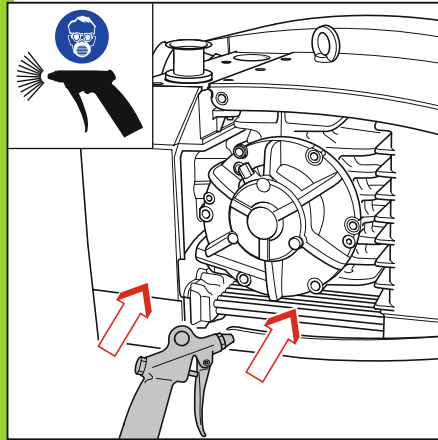


25

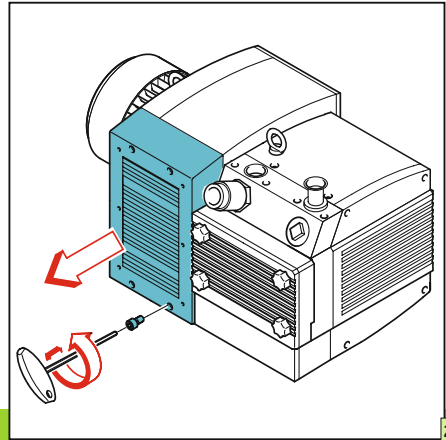


Special grease
No.9600002300

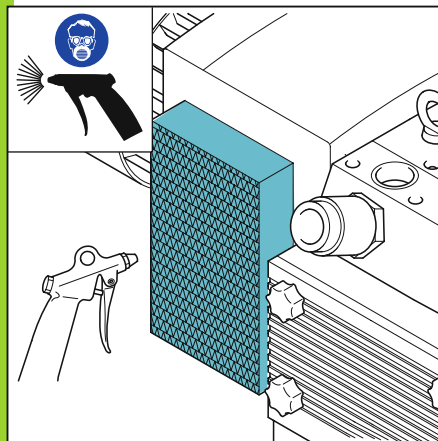
26



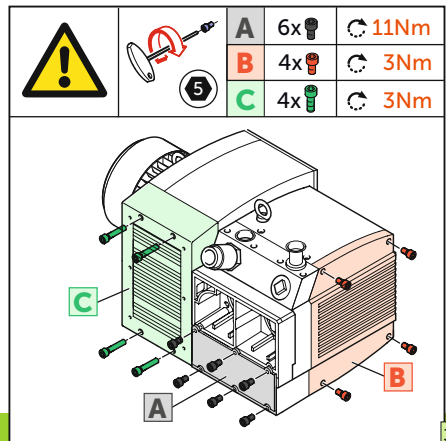
27



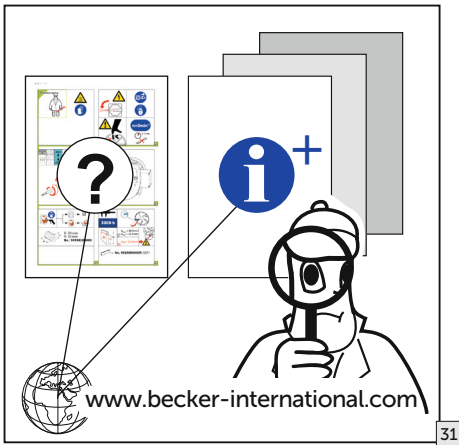
28



29



30



31



WWW.BECKER-INTERNATIONAL-SHOP.COM

Gebr. Becker GmbH
Hoelker Feld 29-31
42279 WUPPERTAL
GERMANY
info@becker-international.com
www.becker-international.com





28100021101 | 2020-12-07 | All rights reserved

MAKE IT BECKER.