


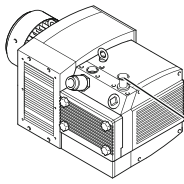







BETRIEBSANLEITUNG
OPERATING INSTRUCTIONS
INSTRUCTIONS DE SERVICE
ISTRUZIONI D'USO
HANDLEIDING
INSTRUCCIONES PARA EL MANEJO
MANUAL DE INSTRUÇÕES
NAUDOJIMOSI INSTRUKCIJA
KASUTUSJUHEND
LIETOŠANAS INSTRUKCIJA
DRIFTSINSTRUKS
DRIFTSINSTRUKTIONER
DRIFTSVEJLEDNING
INSTRUKCJA OBSŁUGI

KEZELÉSI ÚTMUTATÓ
NÁVOD K OBSLUZE
NAVODILO ZA UPORABO
NÁVOD NA OBSLUHU
UPUTE ZA RAD
MANUAL DE OPERATII
TREORACHA OIBRIÚCHÁIN
ΟΔΗΓΙΕΣ ΧΡΗΣΗΣ
EL KITABI
ИНСТРУКЦИИ ЗА ЕКСПЛОАТАЦИЯ
ИНСТРУКЦИЯ ПО ЕКСПЛОАТАЦИИ
取扱説明書
사용설명서
使用说明书




KDT 3.60

MAKE IT BECKER.


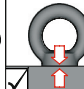


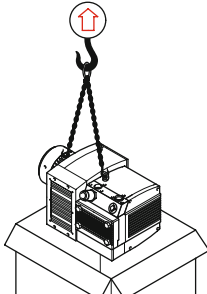


 		
		
 <p><input checked="" type="checkbox"/> AIR</p>		
		



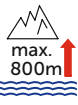
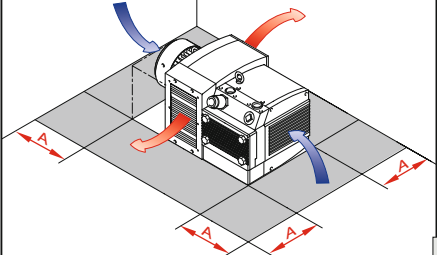
1

<p>MAX. PRESSURE →</p>		<p>mbar</p>
	 <p>MAX. →</p>	
<p>DIN EN ISO 11203 Accuracy Class 2 K_{pA} = 3 dB(A) l ← 1m</p>		<p>L_{pA} = 72 dB(A) - 50Hz L_{pA} = 74 dB(A) - 60Hz</p>


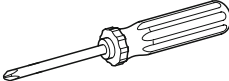



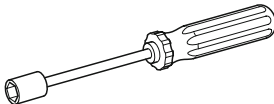
2

			 <p>71-80 kg 156-176 lbs</p>
			


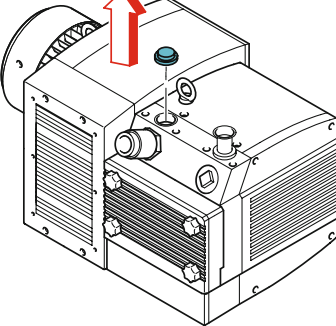
3

<p>A > 100mm A > 4"</p>	 <p>> 5°C/41°F < 45°C/113°F</p>	 <p>max. 90%</p>	 <p>max. 800m</p>
			

4

 <p>No. 2</p>	
 <p>5 mm</p>	
 <p>7 mm 10 mm</p>	

5

	
-------------------------------------------------------------------------------------	-------------------------------------------------------------------------------------

6

MOTOR-PROTECTION

=

(CF 1,XX)	
50Hz	60Hz
XXX / XXX Y	XXX / XXX Y
(XX / XX)	(XX / XX)

SERVICE FACTOR X RATED CURRENT

7

optional

Bi-metal

PTC

¹⁾ motor protection switch

8

9

10

PRESSURE

0 2 10 [m]

11

BECKER

D-42719 Wuppertal
www.becker-international.com

type frequency speed power required inlet capacity max. pressure




year No

Hz min⁻¹ kW m³/h mbar


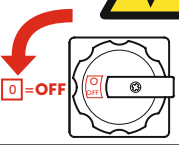




Made in Germany

12

Maintenance






13









n=0min⁻¹

2-3 Min



14




CLEANING INTERVAL

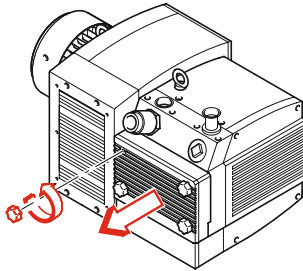
SUCTION AIR

40h

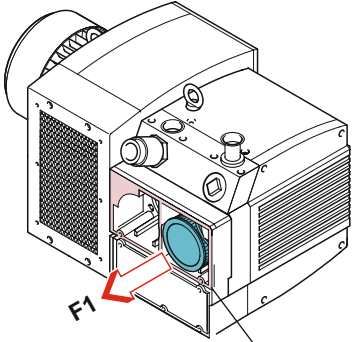
200h



EN149 - FFP3
42 CFR 84 - N100

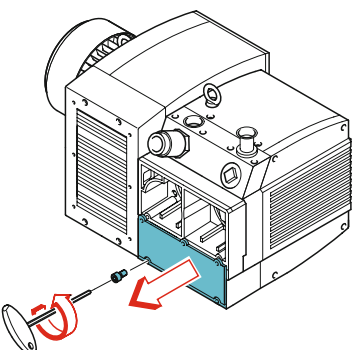


15



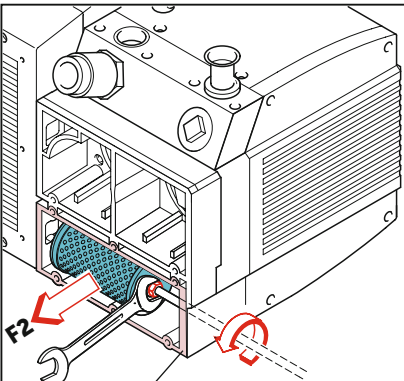
D1 (Pos. 75)

16



D2 (Pos. 104)

17



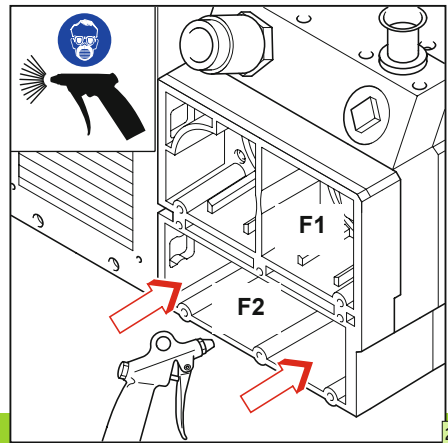
F2

D2 (Pos. 104)

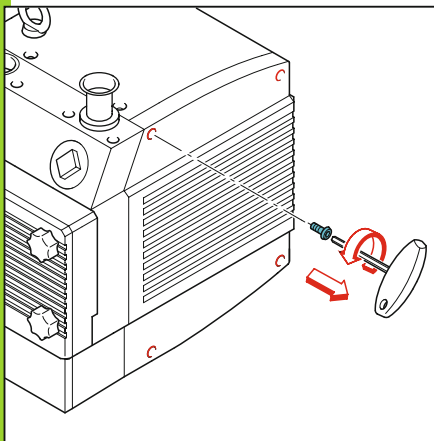
18

F1 (standard)	F1* (polyester) KDT 3.60/6	F2 (standard)
No.: 909507	No.: 909587	No.: 909510
	Satz / Kit Pos.: 20, 24, 62, 75, 76, 85, 104, 125, 126, 146, 288 No.: 549000 21100	

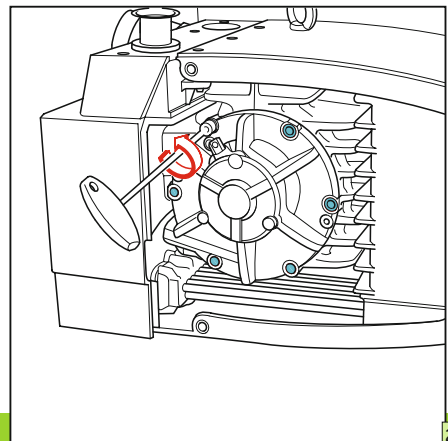
19



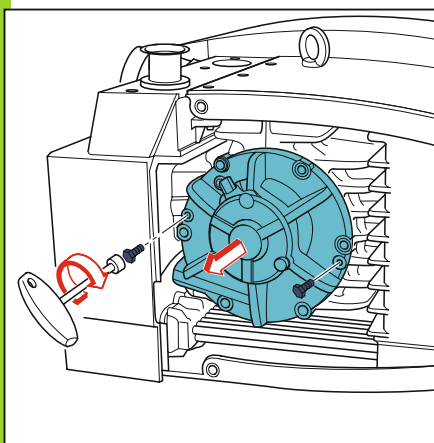
20



21



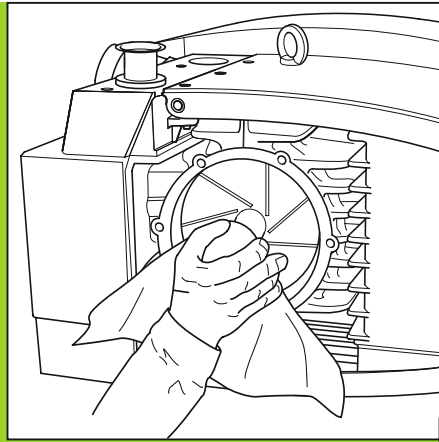
22



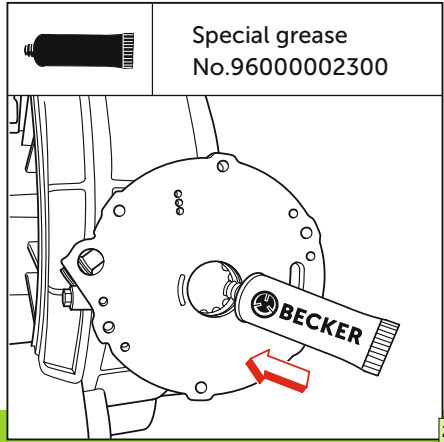
23

3000 h	
	$A_{MAX} = 39mm$ $A_{MIN} = 21mm$
	$A_{MIN} < 21mm$
KDT 3.60 (standard) → No. 90133000004 (SET) KDT 3.60/0-52 → No. 90137900004 (SET) KDT 3.60/6 → No. 90137900004 (SET) KDT 3.60/6-29 → No. 90137900007 (SET)	

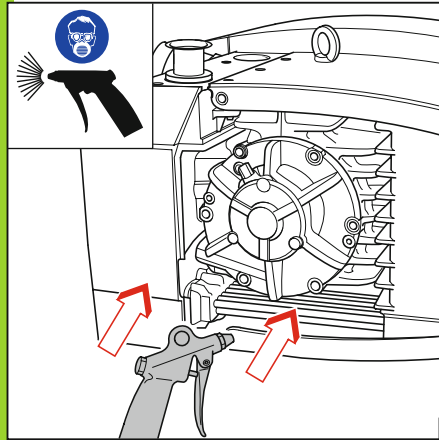
24



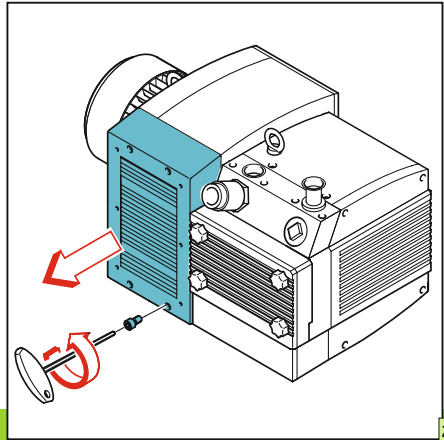
25



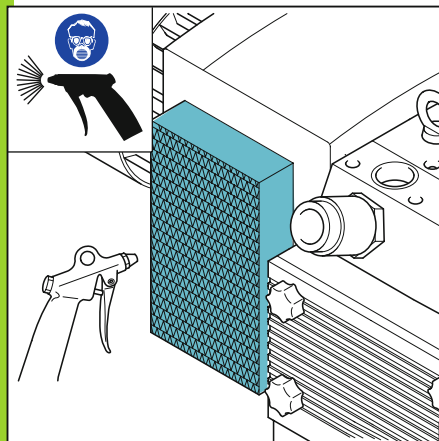
26



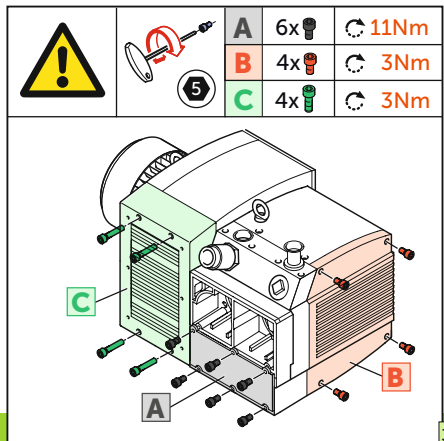
27



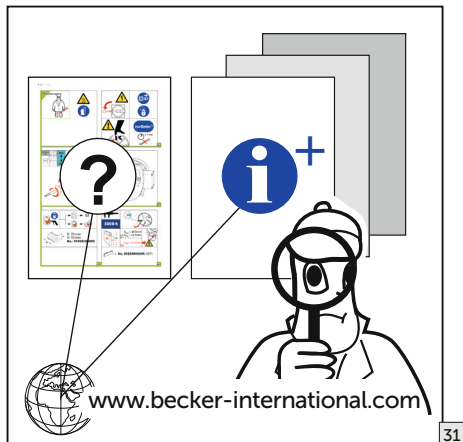
28



29



30



31



WWW.BECKER-INTERNATIONAL-SHOP.COM

Gebr. Becker GmbH
Hoelker Feld 29-31
42279 WUPPERTAL
GERMANY
info@becker-international.com
www.becker-international.com





MAKE IT BECKER.

28100021601 | 2020-08-18 | All rights reserved