


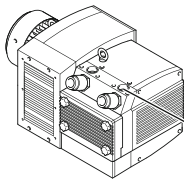







BETRIEBSANLEITUNG  
OPERATING INSTRUCTIONS  
INSTRUCTIONS DE SERVICE  
ISTRUZIONI D'USO  
HANDLEIDING  
INSTRUCCIONES PARA EL MANEJO  
MANUAL DE INSTRUÇÕES  
NAUDOJIMOSI INSTRUKCIJA  
KASUTUSJUHEND  
LIETOŠANAS INSTRUKCIJA  
DRIFTSINSTRUKS  
DRIFTSINSTRUKTIONER  
DRIFTSVEJLEDNING  
INSTRUKCJA OBSŁUGI

KEZELÉSI ÚTMUTATÓ  
NÁVOD K OBSLUZE  
NAVODILO ZA UPORABO  
NÁVOD NA OBSLUHU  
UPUTE ZA RAD  
MANUAL DE OPERATII  
TREORACHA OIBRIÚCHÁIN  
ΟΔΗΓΙΕΣ ΧΡΗΣΗΣ  
EL KITABI  
ИНСТРУКЦИИ ЗА ЕКСПЛОАТАЦИЯ  
ИНСТРУКЦИЯ ПО ЕКСПЛОАТАЦИИ  
取扱説明書  
사용설명서  
使用说明书

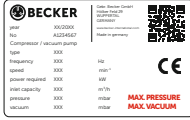

## DVX 3.80

MAKE IT BECKER.





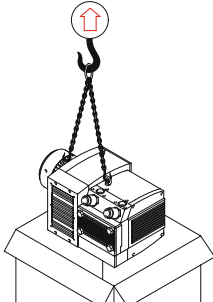


 		
		
 <p><input checked="" type="checkbox"/> AIR</p>		
		



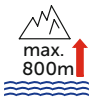
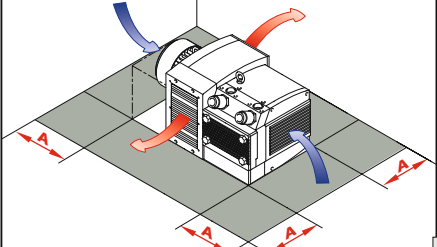
1

<p><b>MAX. PRESSURE</b></p> <p><b>MAX. VACUUM</b></p>		<p>mbar</p>
	 <p><b>MAX.</b></p>	
<p><b>L<sub>pA</sub></b> )))</p> <p>DIN EN ISO 11203 Accuracy Class 2 K<sub>pA</sub> = 3 dB(A) l ← 1m</p>		<p>L<sub>pA</sub> = 76 dB(A) - 50Hz</p> <p>L<sub>pA</sub> = 77 dB(A) - 60Hz</p> <p>m<sup>3</sup>/h</p>


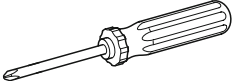

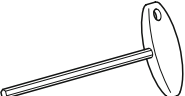

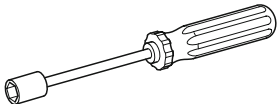
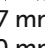
2

			 <p>72 kg 159 lbs</p>
			

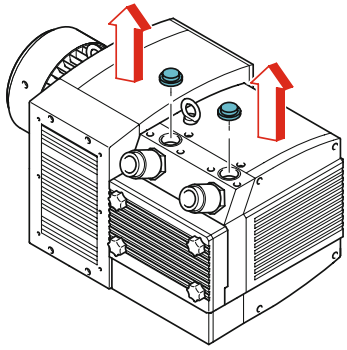
3

<p>A &gt; 100mm A &gt; 4"</p>	 <p>&gt; 5°C/41°F &lt; 45°C/113°F</p>	 <p>max. 90%</p>	 <p>max. 800m</p>
			

4

 <p>No. 2</p>	
 <p>5 mm</p>	
 <p>7 mm</p>	
 <p>10 mm</p>	

5



6

**MOTOR-PROTECTION**

=

(CF LXX)	
50Hz	60Hz
XXX / XXX V	XXX / XXX V
XXX / XXX A	XXX / XXX A

**SERVICE FACTOR**

**X**

**RATED CURRENT**

7

optional

Bi-metal

PTC

<sup>1)</sup> motor protection switch

8

9

10

**PRESSURE**

0

1"

2

1 1/2" + 2x

10 [m]

**VACUUM**

**VACUUM**

11

**BECKER**

year: XXX/20XX

no: A1234567

Compressor / vacuum pump

type: XXX

frequency: XXX Hz

speed: XXX rpm

power required: XXX kW

inlet capacity: XXX m³/h

pressure: XXX mbar

vacuum: XXX mbar

**PRESSURE**

**VACUUM**

12

Maintenance



13

	<p><b>n=0min<sup>-1</sup></b></p>

14

<p><b>CLEANING INTERVAL</b></p>	<p>SUCTION AIR</p>	<p>40h ↑ ↓ 200h</p>	<p>EN149 - FFP3 42 CFR 84 - N100</p>

15

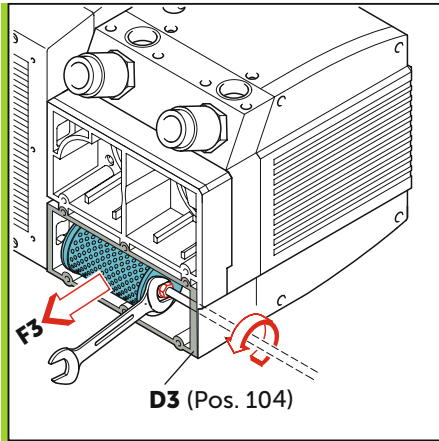
1.

2.

16

<p><b>F1</b> No.: 90950701</p>	<p><b>F2</b> No.: 90950601</p>	<p>17</p>

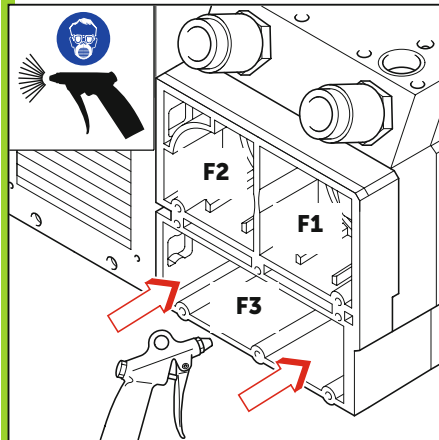
18



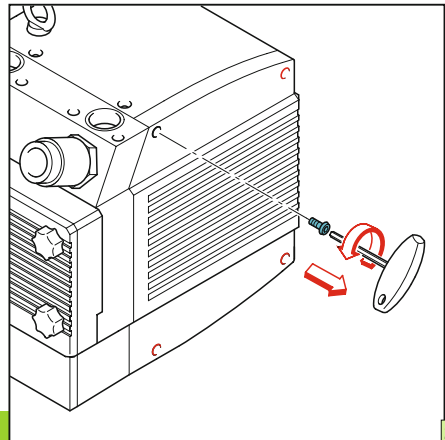
19

<p><b>F3</b> No.: 909510 0000</p>	
	<p>Satz / Kit Pos.: 17, 20, 24, 62, <b>75</b>, 76, 85, 86, <b>104</b>, 122, 125, 126, 146, No.: 549000 21100</p>

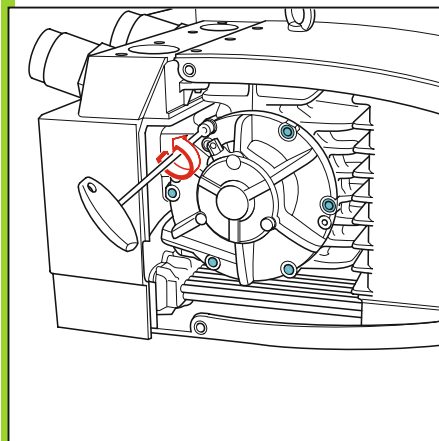
20



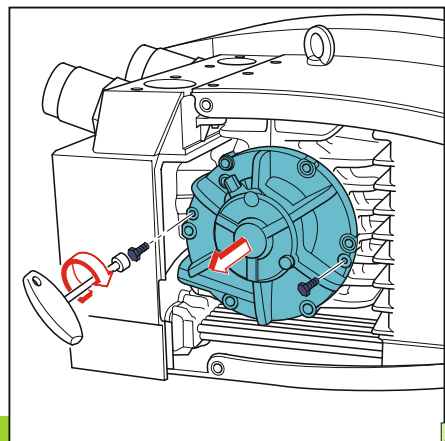
21



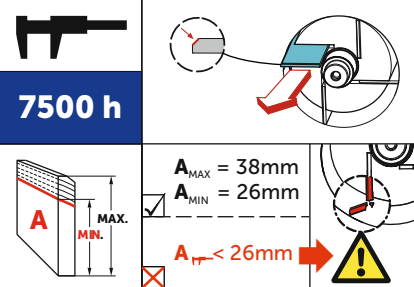
22



23



24



**7500 h**

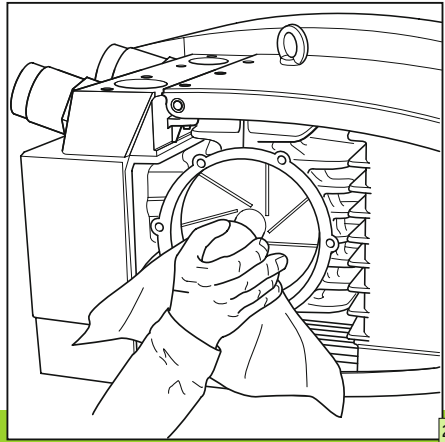
$A_{MAX} = 38mm$   
 $A_{MIN} = 26mm$

$A_{IT} < 26mm$  ⚠

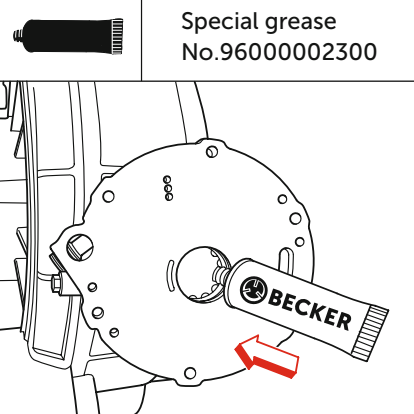
→ No. 9014010004 (SET)

This diagram shows a fan blade with a red arrow indicating the correct angle. Below it, a cross-section of the blade is shown with dimensions:  $A_{MAX} = 38mm$  and  $A_{MIN} = 26mm$ . A red arrow points to a warning symbol (exclamation mark in a triangle) with the text  $A_{IT} < 26mm$ . At the bottom, a small rectangular part is shown with an arrow pointing to the text "No. 9014010004 (SET)".

25



26

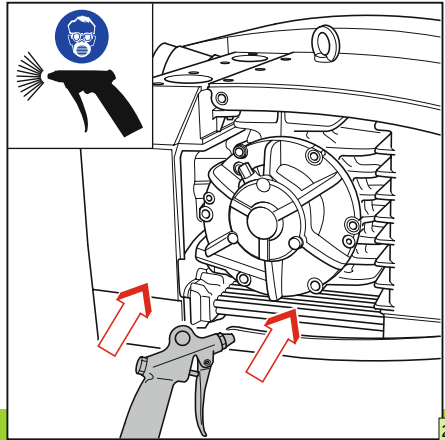


Special grease  
No.96000002300

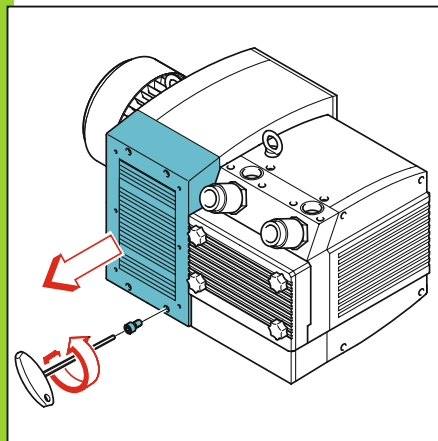
BECKER

This diagram shows a compressor head with a tube of "BECKER" special grease being applied to it. The tube is labeled "BECKER" and "Special grease No.96000002300". A red arrow points to the application point on the compressor head.

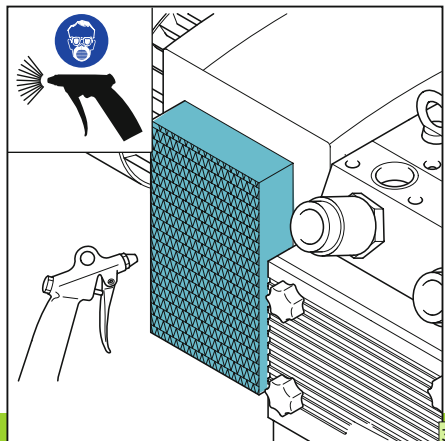
27



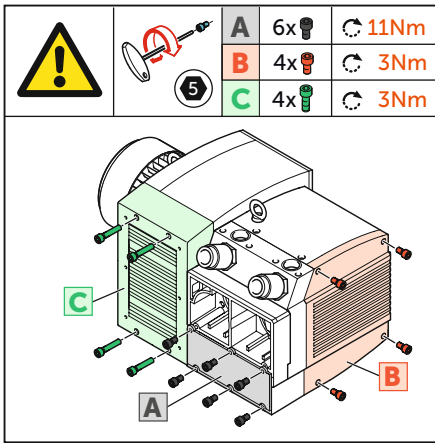
28



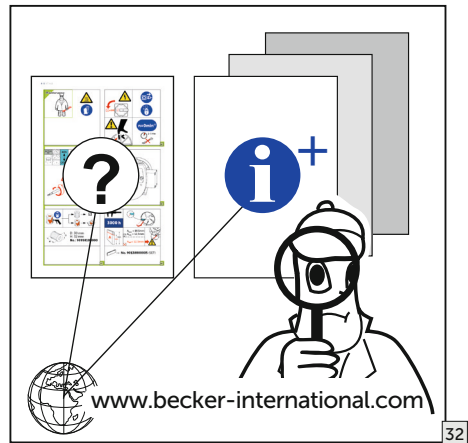
29



30



31



32



[WWW.BECKER-INTERNATIONAL-SHOP.COM](http://WWW.BECKER-INTERNATIONAL-SHOP.COM)

Gebr. Becker GmbH  
 Hoelker Feld 29-31  
 42279 WUPPERTAL  
 GERMANY  
[info@becker-international.com](mailto:info@becker-international.com)  
[www.becker-international.com](http://www.becker-international.com)





**MAKE IT BECKER.**

281.00507031 2020-12-08 | All rights reserved