


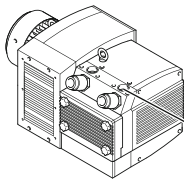







BETRIEBSANLEITUNG
OPERATING INSTRUCTIONS
INSTRUCTIONS DE SERVICE
ISTRUZIONI D'USO
HANDLEIDING
INSTRUCCIONES PARA EL MANEJO
MANUAL DE INSTRUÇÕES
NAUDOJIMOSI INSTRUKCIJA
KASUTUSJUHEND
LIETOŠANAS INSTRUKCIJA
DRIFTSINSTRUKS
DRIFTSINSTRUKTIONER
DRIFTSVEJLEDNING
INSTRUKCJA OBSŁUGI

KEZELÉSI ÚTMUTATÓ
NÁVOD K OBSLUZE
NAVODILO ZA UPORABO
NÁVOD NA OBSLUHU
UPUTE ZA RAD
MANUAL DE OPERATII
TREORACHA OIBRIÚCHÁIN
ΟΔΗΓΙΕΣ ΧΡΗΣΗΣ
EL KITABI
ИНСТРУКЦИИ ЗА ЕКСПЛОАТАЦИЯ
ИНСТРУКЦИЯ ПО ЕКСПЛОАТАЦИИ
取扱説明書
사용설명서
使用说明书

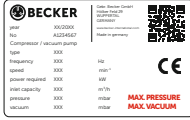

DVT 3.80

MAKE IT BECKER.





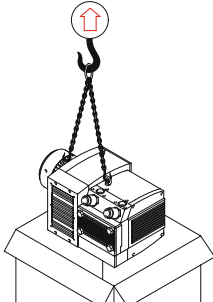


 		
		
 <p>AIR</p>		
		

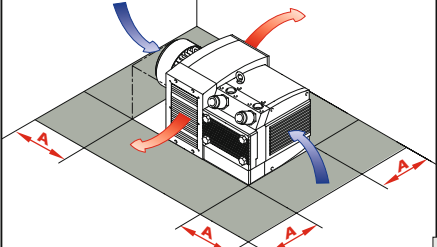
1

<p>MAX. PRESSURE</p> <p>MAX. VACUUM</p>	 <p>MAX. PRESSURE MAX. VACUUM</p>	<p>mbar</p>
<p>MAX.</p>	 <p>MAX. V</p>	<p>m³/h</p>
<p>L_{pA}</p> <p>DIN EN ISO 11203 Accuracy Class 2 K_{pA} = 3 dB(A) l ← 1m</p>	<p>L_{pA} = 76 dB(A) - 50Hz</p> <p>L_{pA} = 77 dB(A) - 60Hz</p>	


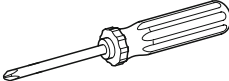



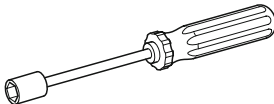
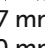
2

			 <p>72 kg 159 lbs</p>
			

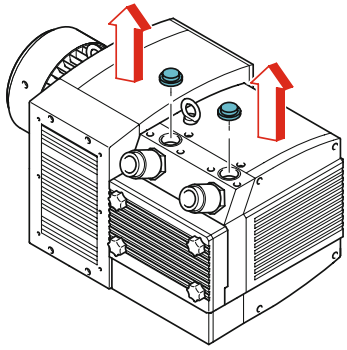
3

<p>A > 100mm A > 4"</p>	<p>> 5°C/41°F < 45°C/113°F</p>	<p>max. 90%</p>	<p>max. 800m</p>
			

4

 <p>No. 2</p>	
 <p>5 mm</p>	
 <p>7 mm</p>	
 <p>10 mm</p>	

5



6

MOTOR-PROTECTION

=

50Hz	60Hz
XXX / XXX V	XXX / XXX V
XXX / XXX A	XXX / XXX A

SERVICE FACTOR

X

RATED CURRENT

7

optional

Bi-metal

PTC

¹⁾ motor protection switch

8

9

10

PRESSURE

0 2 10 [m]

VACUUM

11

BECKER		Gate Sensor Circuit with field 20 gate field gate		CE
year	XX/20XX	made in germany		
no.	A2234967	Compressor / vacuum pump		
type	XXX			
frequency	XXX	Hz		
speed	XXX	mm³		
power required	XXX	kW		
inlet capacity	XXX	m³/h		
pressure	XXX	mbar		
vacuum	XXX	mbar		

PRESSURE

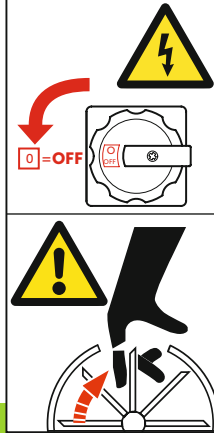
VACUUM

12

Maintenance



13



14

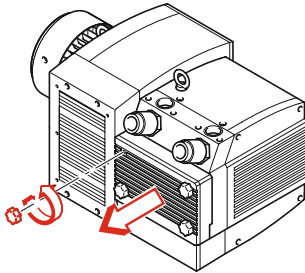
CLEANING INTERVAL

SUCTION AIR

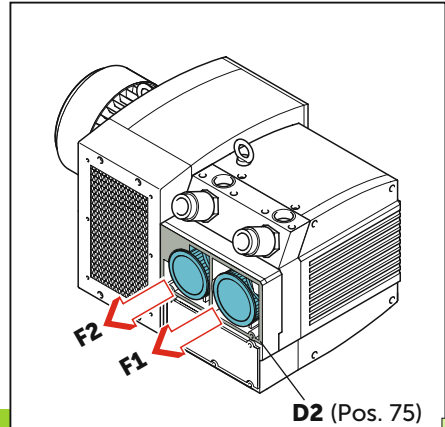
40h

200h

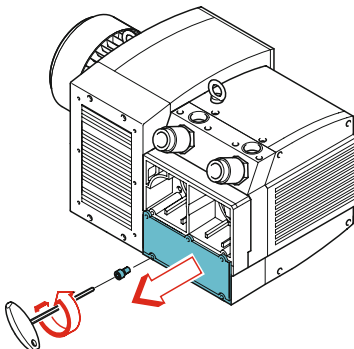
EN149 - FFP3
42 CFR 84 - N100



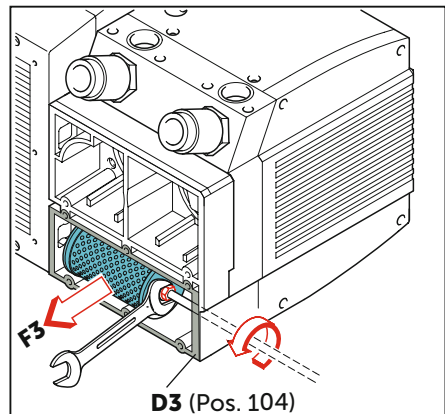
15




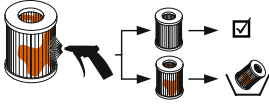
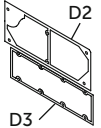
16



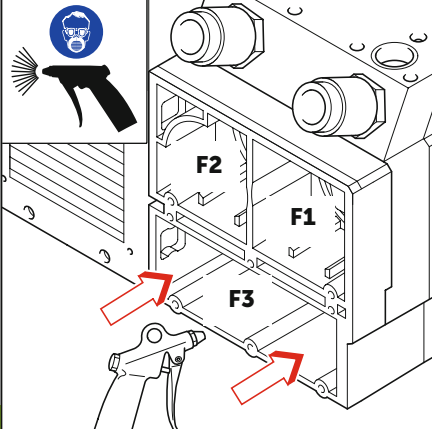
17



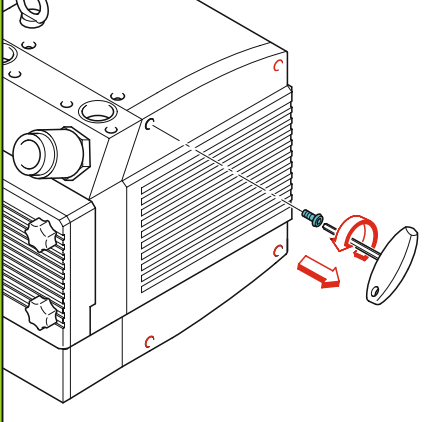
18

		
<p>EN149 - FFP3 42 CFR 84 - N100</p> 		
<p>F1 No.: 909507</p>	<p>F2 No.: 909506</p>	<p>F3 No.: 909510</p>
	<p>Satz / Kit Pos.: 17, 20, 24, 62, 75, 76, 85, 86, 104, 125, 126, 127, 146, 247, 248, 288 ▶ No.: 549002 21100</p>	

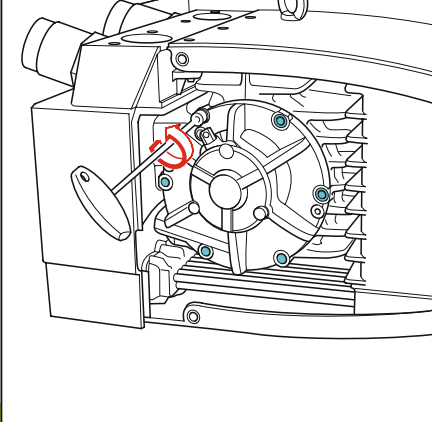
19



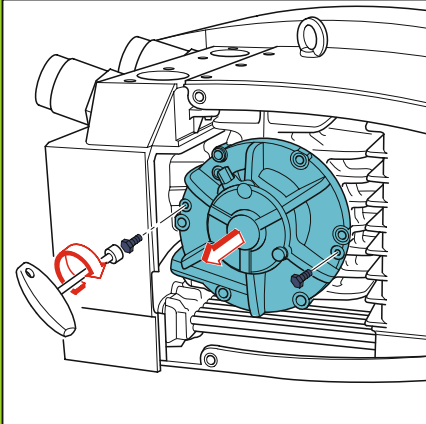
20




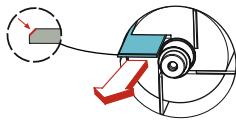
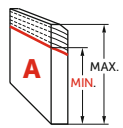
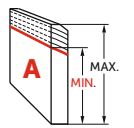


21



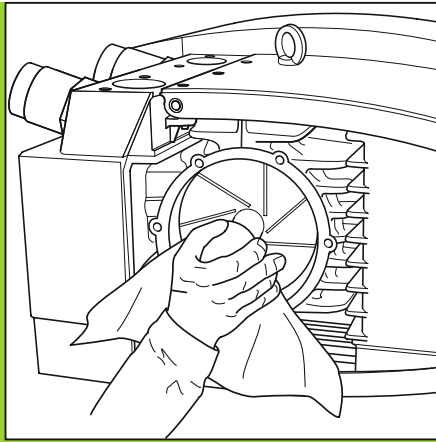
22



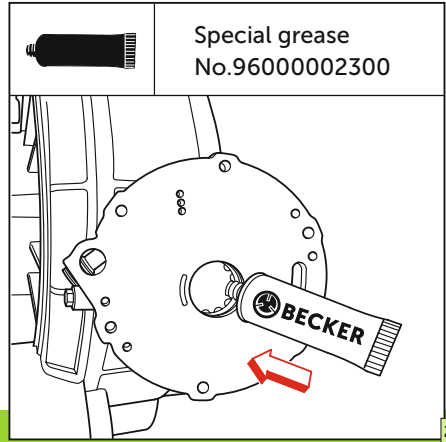
23

	
<p>3000 h</p>	
	<p>$A_{MAX} = 38mm$ $A_{MIN} = 26mm$</p> <p>$A_{spr} < 26mm$ → </p>
	<p>→ No. 9013300007 (SET)</p>

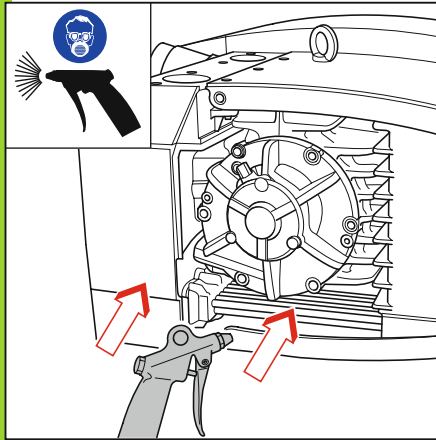
24



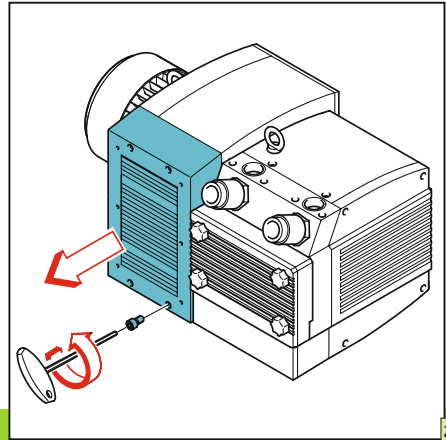
25



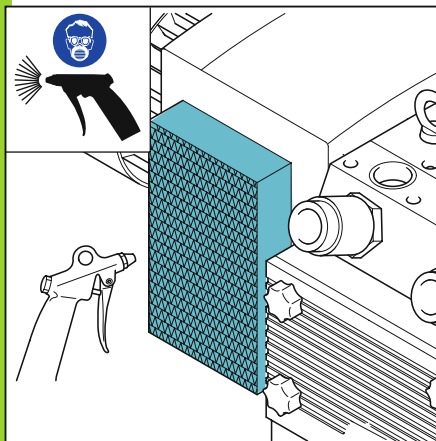
26



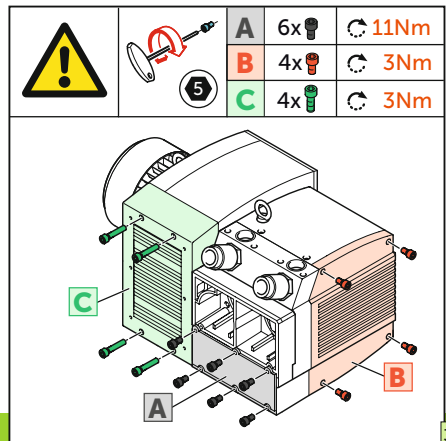
27



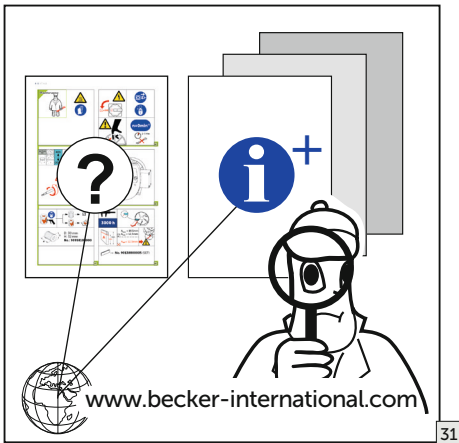
28



29



30



WWW.BECKER-INTERNATIONAL-SHOP.COM

Gebr. Becker GmbH
Hoelker Feld 29-31
42279 WUPPERTAL
GERMANY
info@becker-international.com
www.becker-international.com





MAKE IT BECKER.

28100021103 | 2020-11-23 | All rights reserved