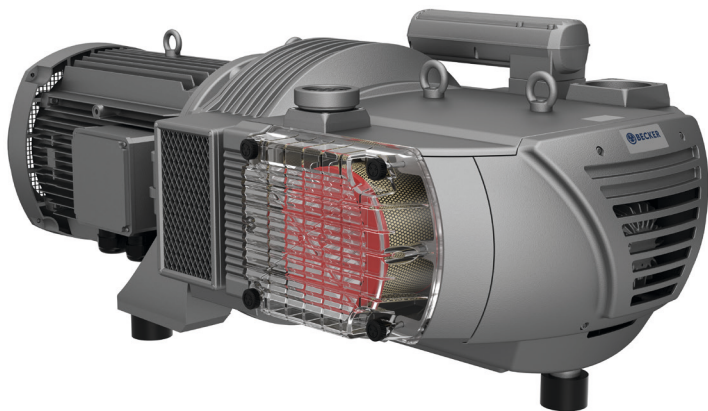


BETRIEBSANLEITUNG
OPERATING INSTRUCTIONS
INSTRUCTIONS DE SERVICE
ISTRUZIONI D'USO
HANDLEIDING
INSTRUCCIONES PARA EL MANEJO
MANUAL DE INSTRUÇÕES
NAUDOJIMOSI INSTRUKCIJA
KASUTUSJUHEND
LIETOŠANAS INSTRUKCIJA
DRIFTSINSTRUKS
DRIFTSINSTRUKTIONER
DRIFTSVEJLEDNING
INSTRUKCJA OBSŁUGI

KEZELÉSI ÚTMUTATÓ
NÁVOD K OBSLUZE
NAVODILO ZA UPORABO
NÁVOD NA OBSLUHU
UPUTE ZA RAD
MANUAL DE OPERATII
TREORACHA OIBRIÚCHÁIN
ΟΔΗΓΙΕΣ ΧΡΗΣΗΣ
EL KITABI
ИНСТРУКЦИИ ЗА ЕКСПЛОАТАЦИЯ
ИНСТРУКЦИЯ ПО ЕКСПЛОАТАЦИИ
取扱説明書
사용설명서
使用说明书

DTLF 2.200
DTLF 2.250
DTLF 2.360



1

<p>MAX. PRESSURE →</p>		<p>mbar</p>
	<p>MAX. →</p>	
<p>DIN EN ISO 11203 Accuracy Class 2 K_{pA} = 3 dB(A) l ← 1m</p>		<p>L_{pA} = 79-84 dB(A) - 50Hz L_{pA} = 80-85 dB(A) - 60Hz</p>

2

		<p>248-335 kg 547-739 lbs</p>

3

<p>A > 400mm A > 16"</p>	<p>> 5°C/41°F < 45°C/113°F</p>	<p>max. 90%</p>	<p>max. 800m ↑</p>

4

<p>No. 2</p>	
<p>5 mm</p>	
<p>13 mm</p>	

5

6

MOTOR-PROTECTION

=

50Hz	60Hz
XXX / XXX V	XXX / XXX V
(XX / XX A)	(XX / XX A)

SERVICE FACTOR
 \times
RATED CURRENT

7

GENERAL

¹⁾ motor protection switch ✔

ADDITIONAL $M \geq 5.5 \text{ kW}$

RECOMMENDATION

A

Softstart

B

OPTIONAL

PTC

Bi-metal

8

9

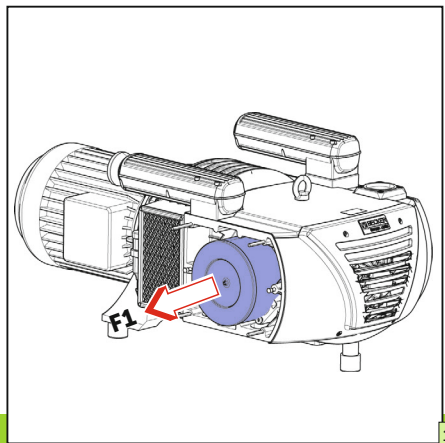
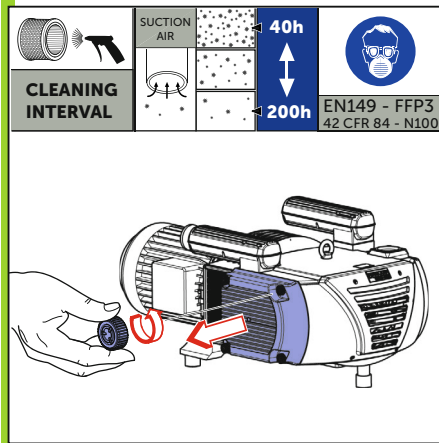
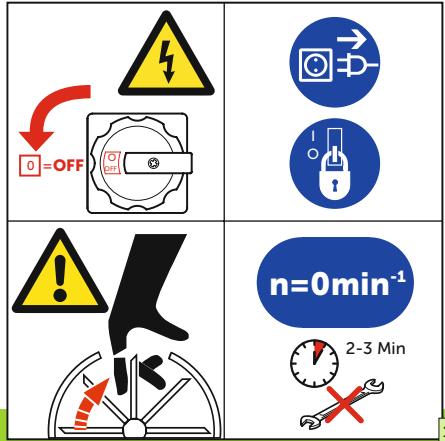
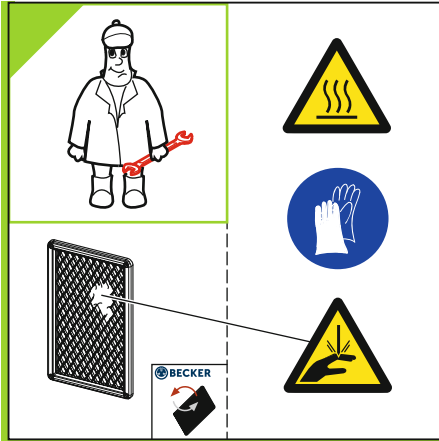
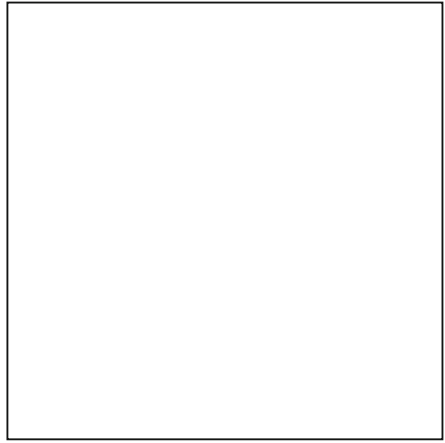
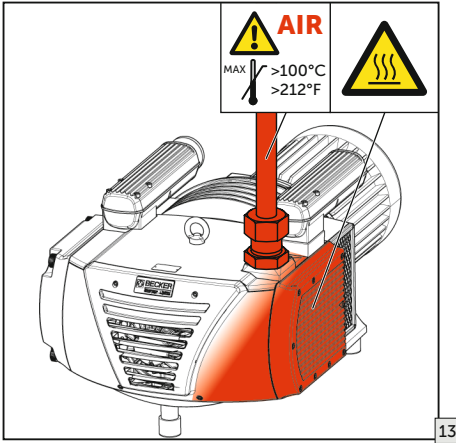
10

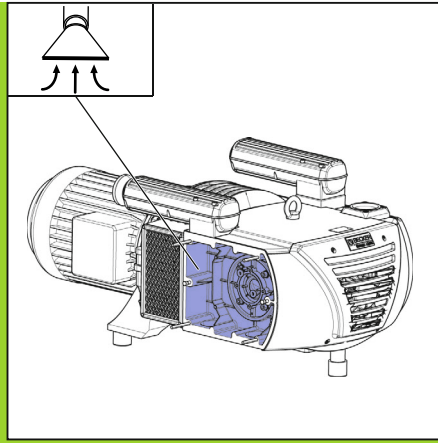
0	2	3	10 [m]
2 1/2"	2 1/2"	3"	+ 1x

PRESSURE

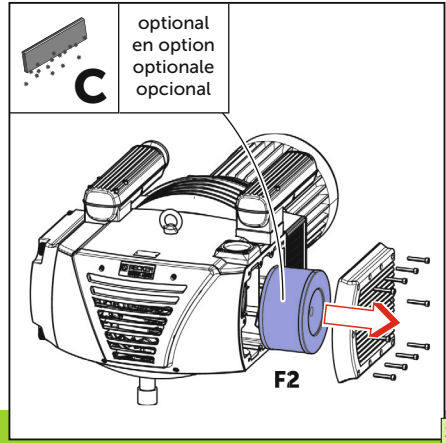
11

12

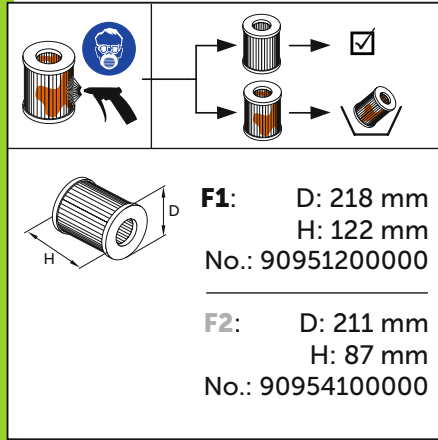




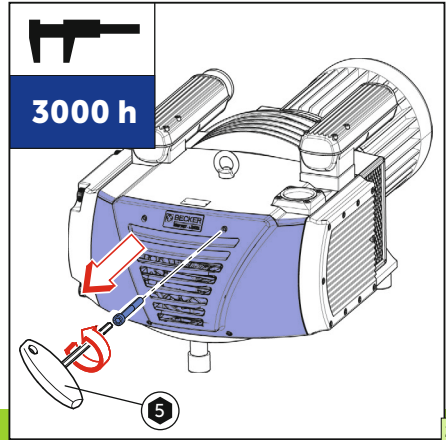
18



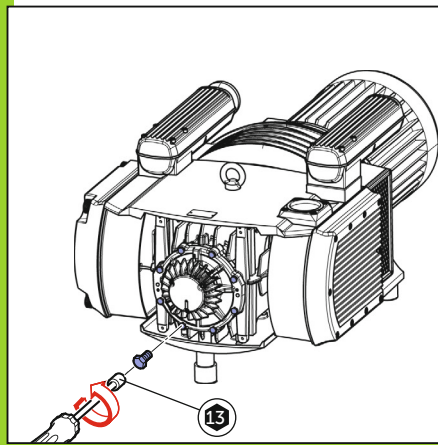
19



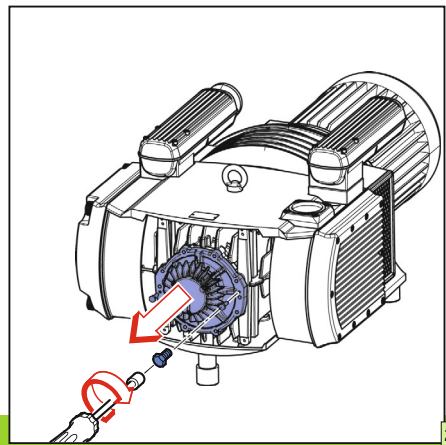
20



21



22

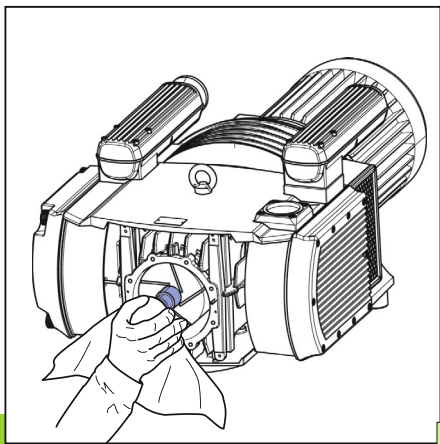


23

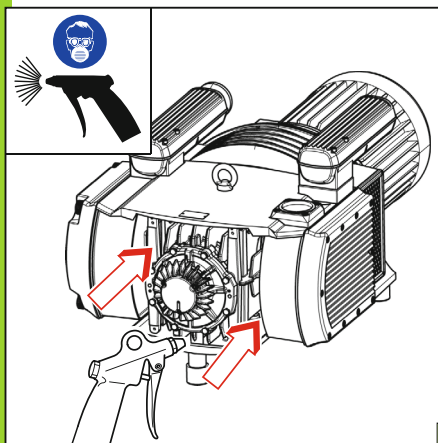
$A_{MAX} = 65\text{mm}$
 $A_{MIN} = 41\text{mm}$
 $A_T < 41\text{mm}$

DTLF 2.200/2.250 → No. 90136701005 (SET)
 DTLF 2.360 → No. 90132500005 (SET)

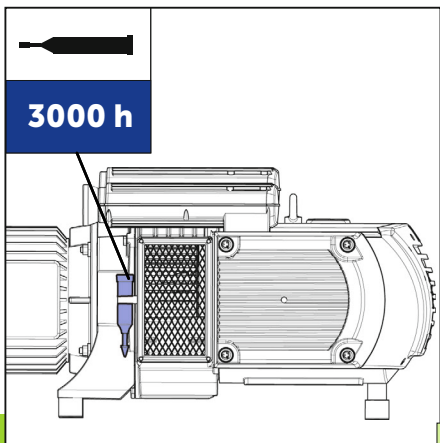
24



25



26



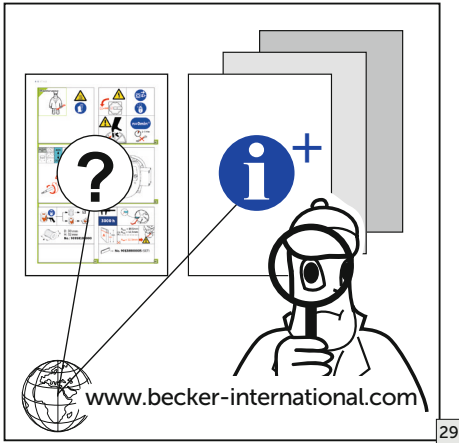
27

Special grease
 No. 74330300000

25x (≈10g)

28





WWW.BECKER-INTERNATIONAL-SHOP.COM

Gebr. Becker GmbH
Hoelker Feld 29-31
42279 WUPPERTAL
GERMANY
info@becker-international.com
www.becker-international.com





MAKE IT BECKER.

28100052201 | 2020-03-19 | Alle Rechte vorbehalten