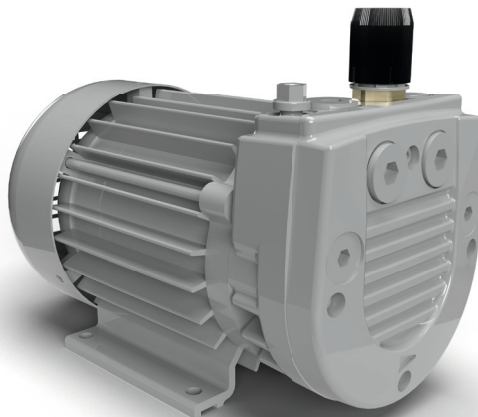



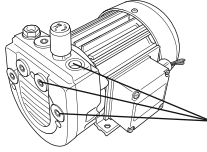







BETRIEBSANLEITUNG
OPERATING INSTRUCTIONS
INSTRUCCIONES DE SERVICE
ISTRUZIONI D'USO
HANDLEIDING
INSTRUCCIONES PARA EL MANEJO
MANUAL DE INSTRUÇÕES
NAUDOJIMOSI INSTRUKCIJA
KASUTUSJUHEND
LIETOŠANAS INSTRUKCIJA
DRIFTSINSTRUKS
DRIFTSINSTRUKTIONER
DRIFTSVEJLEDNING
INSTRUKCJA OBSŁUGI

KEZELÉSI ÚTMUTATÓ
NÁVOD K OBSLUZE
NAVODILO ZA UPORABO
NÁVOD NA OBSLUHU
UPUTE ZA RAD
MANUAL DE OPERATII
TREORACHA OIBRIÚCHÁIN
ΟΔΗΓΙΕΣ ΧΡΗΣΗΣ
EL KITABI
ИНСТРУКЦИИ ЗА ЕКСПЛОАТАЦИЯ
ИНСТРУКЦИЯ ПО ЕКСПЛОАТАЦИИ
取扱説明書
사용설명서
使用说明书



DT 4.4

MAKE IT BECKER.

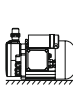

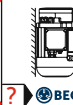
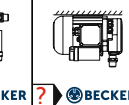
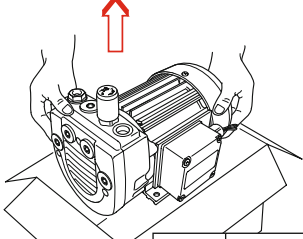


 		
		
 <p><input checked="" type="checkbox"/> AIR</p>		
		



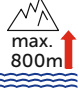
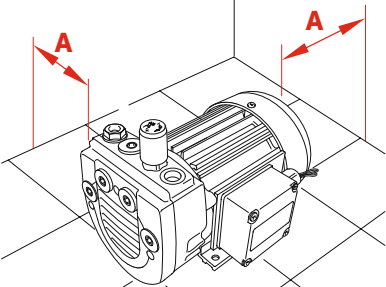
1

<p>MAX. PRESSURE →</p>		<p>mbar</p>
	 <p>MAX. →</p>	
<p>DIN EN ISO 11203 Accuracy Class 2 K_{pA} = 3 dB(A) l ← 1m</p>		<p>L_{pA} = 60 dB(A) - 50Hz L_{pA} = 60,5 dB(A) - 60Hz</p>


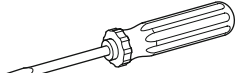

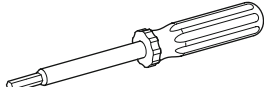

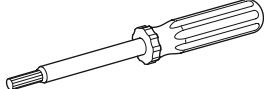
2

			
			
			<p>7 kg 15,4 lbs</p>

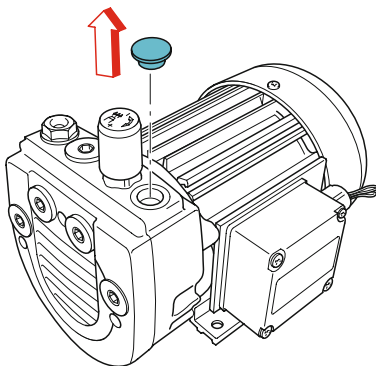
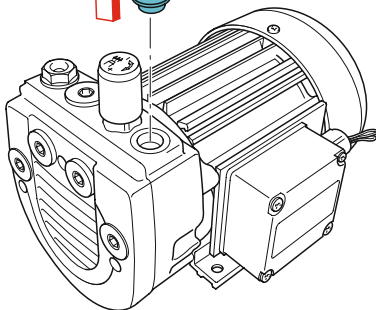
3

<p>A > 100mm A > 4"</p>	 <p>> 5°C/41°F < 45°C/113°F</p>	 <p>max. 90%</p>	 <p>max. 800m ↑</p>
			

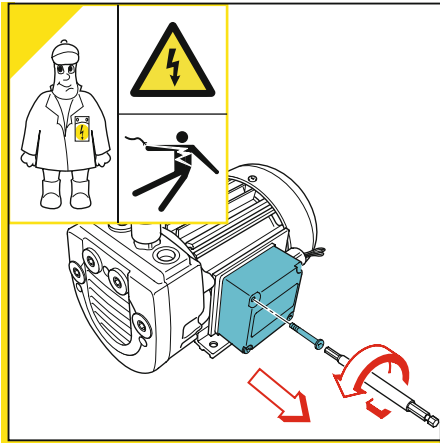
4

 <p>4 mm</p>	
 <p>6 mm</p>	
 <p>T20</p>	

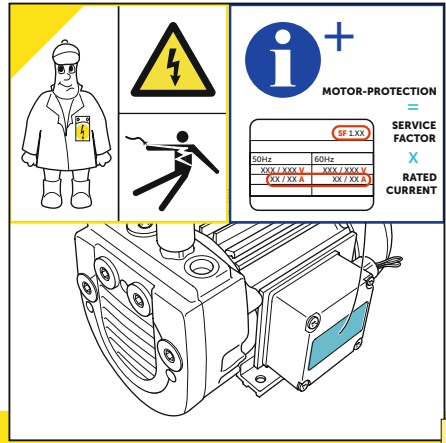
5

	
---	---

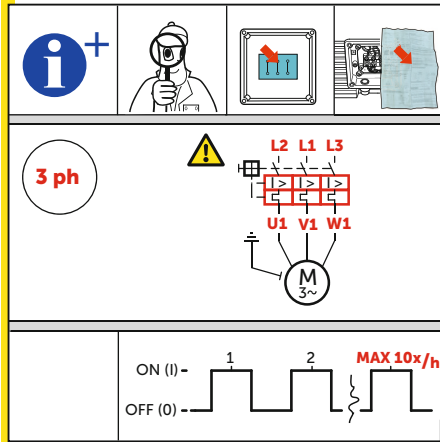
6



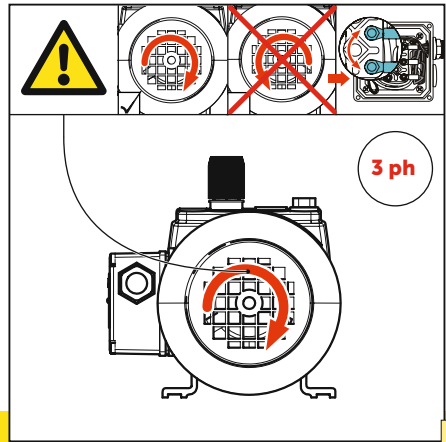
7



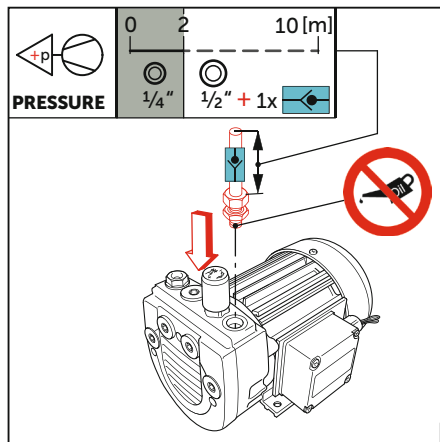
8



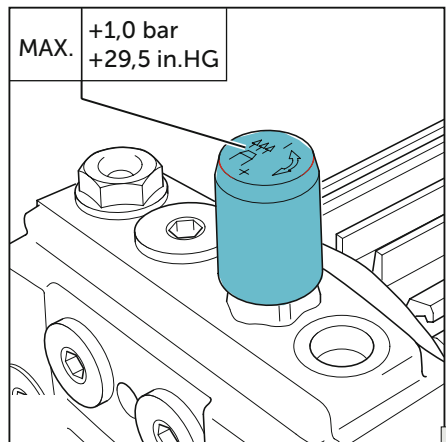
9



10

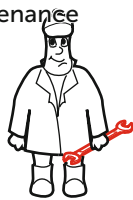




11




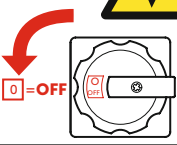





12


Maintenance

13










n=0min⁻¹




2-3 Min


14



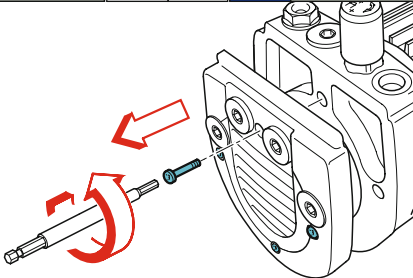
CLEANING INTERVAL



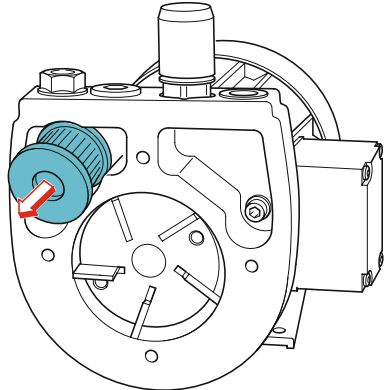
40h
↑
↓
200h





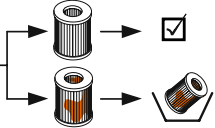
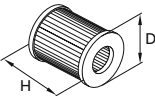
EN149 - FFP3
42 CFR 84 - N100



15




16

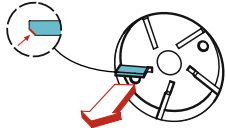
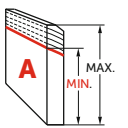





D: 25 mm
H: 24 mm
No.: 9095800000


17




3000 h

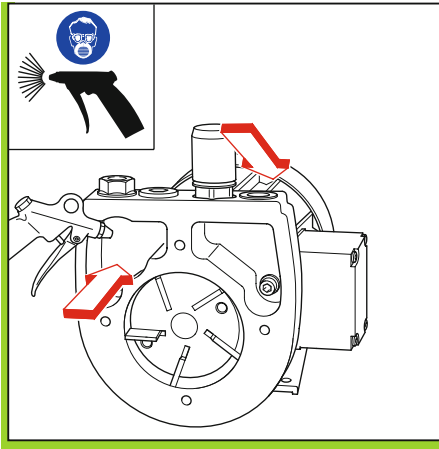
$A_{MAX} = 16\text{mm}$
 $A_{MIN} = 11\text{mm}$

$A_{\text{min}} < 11\text{mm}$ → 



→ No. 90138700005 (SET)

18



19

500 h

C [μ F]

t [h]

100%

1~ (DT 4.4 EW)

= ?

μ F XX

20

www.becker-international.com

21

WWW.BECKER-INTERNATIONAL-SHOP.COM

Gebr. Becker GmbH
 Hoelker Feld 29-31
 42279 WUPPERTAL
 GERMANY
info@becker-international.com
www.becker-international.com



MAKE IT BECKER.

28100027101 | 2020-07-13 | All rights reserved