


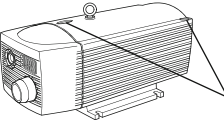







BETRIEBSANLEITUNG
OPERATING INSTRUCTIONS
INSTRUCCIONES DE SERVICE
ISTRUZIONI D'USO
HANDLEIDING
INSTRUCCIONES PARA EL MANEJO
MANUAL DE INSTRUÇÕES
NAUDOJIMOSI INSTRUKCIJA
KASUTUSJUHEND
LIETOŠANAS INSTRUKCIJA
DRIFTSINSTRUKS
DRIFTSINSTRUKTIONER
DRIFTSVEJLEDNING
INSTRUKCJA OBSŁUGI

KEZELÉSI ÚTMUTATÓ
NÁVOD K OBSLUZE
NAVODILO ZA UPORABO
NÁVOD NA OBSLUHU
UPUTE ZA RAD
MANUAL DE OPERATII
TREORACHA OIBRIÚCHÁIN
ΟΔΗΓΙΕΣ ΧΡΗΣΗΣ
EL KITABI
ИНСТРУКЦИИ ЗА ЕКСПЛОАТАЦИЯ
ИНСТРУКЦИЯ ПО ЕКСПЛОАТАЦИИ
取扱説明書
사용설명서
使用说明书




DT 4.25K

MAKE IT BECKER.

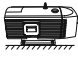


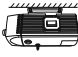
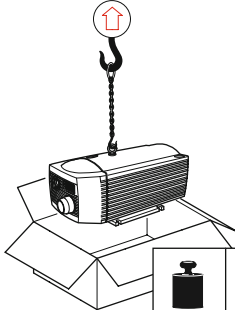


 	
	
 <p>AIR</p>	
	
	
	



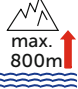
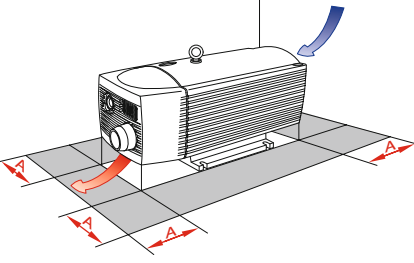
1

 <p>MAX. PRESSURE</p>	 <p>MAX. VACUUM mbar</p>
	 <p>MAX.</p>
<p>L_{pA})))</p> <p>DIN EN ISO 11203 Accuracy Class 2 K_{pA} = 3 dB(A) l ← 1m</p>	<p>L_{pA} = 65 dB(A) - 50Hz</p> <p>L_{pA} = 68 dB(A) - 60Hz</p>

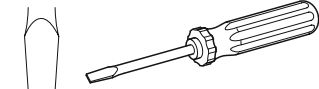
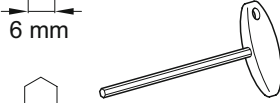
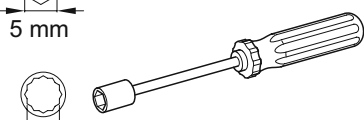
2

			
<p><input checked="" type="checkbox"/></p>	<p><input type="checkbox"/></p>	<p><input type="checkbox"/></p>	<p><input type="checkbox"/></p>
			
			<p>36,5 kg 80,5 lbs</p>


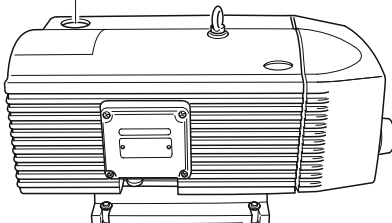
3

<p>A > 100mm A > 4"</p>	 <p>> 5°C/41°F < 45°C/113°F</p>	 <p>max. 90%</p>	 <p>max. 800m</p>
			

4

 <p>6 mm</p>
 <p>5 mm</p>
 <p>T 20</p>

5

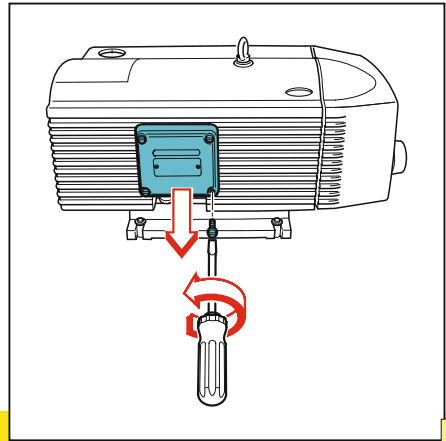



6

MOTOR-PROTECTION = SERVICE FACTOR X RATED CURRENT

(F 1,XX)	
50Hz	60Hz
XXX / 200 X	XXX / 200 X
(XX / XX X)	(XX / XX X)

7



8

3 ph

9

3 ph

10




PRESSURE


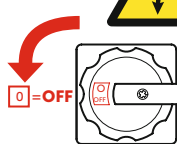


11




MAX. +1,0 bar
+29,5 in.Hg

12


Maintenance

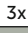





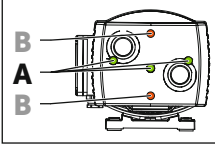





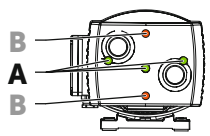
n=0min⁻¹




2-3 Min

3x  **A** **6.2Nm**

2x  **B**  **2Nm**






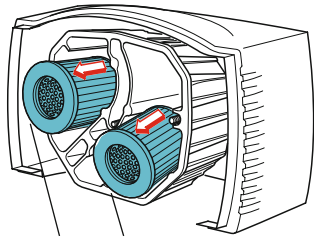
CLEANING INTERVAL

40h

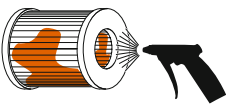
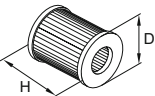
200h



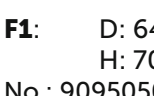
EN149 - FFP3
42 CFR 84 - N100




F2 F1

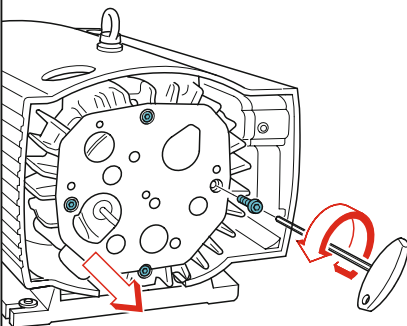
F1: D: 64 mm
H: 70 mm
No.: 90950500000

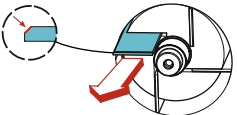


F2: D: 64 mm
H: 60 mm
No.: 90952900000

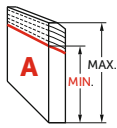


EN149 - FFP3
42 CFR 84 - N100






3000 h

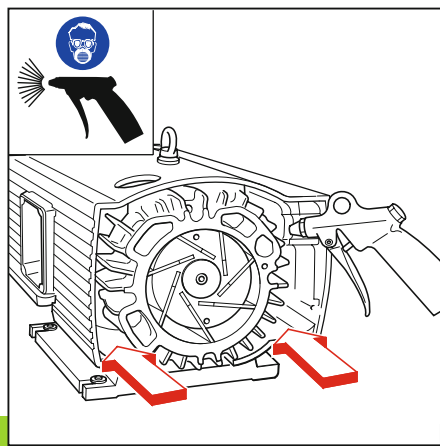


$A_{MAX} = 43\text{mm}$
 $A_{MIN} = 28\text{mm}$


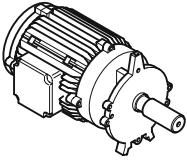
$A_{T-} < 28\text{mm}$ → 

→ No. 90134900007 (SET)

19

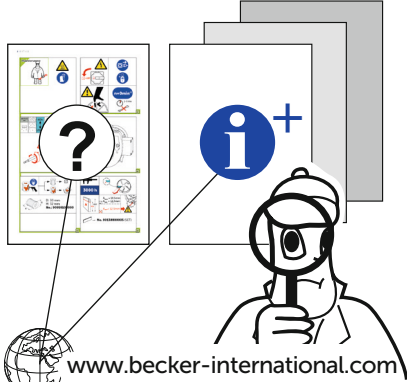


20

This pump falls under an exemption from EU 2019/1781 as the motor and the pump have common parts.

21



www.becker-international.com

22



WWW.BECKER-INTERNATIONAL-SHOP.COM

Gebr. Becker GmbH
Hoelker Feld 29-31
42279 WUPPERTAL
GERMANY
info@becker-international.com
www.becker-international.com





MAKE IT BECKER.

28100027501 | 2021-07-08 | All rights reserved