

DATA SHEET

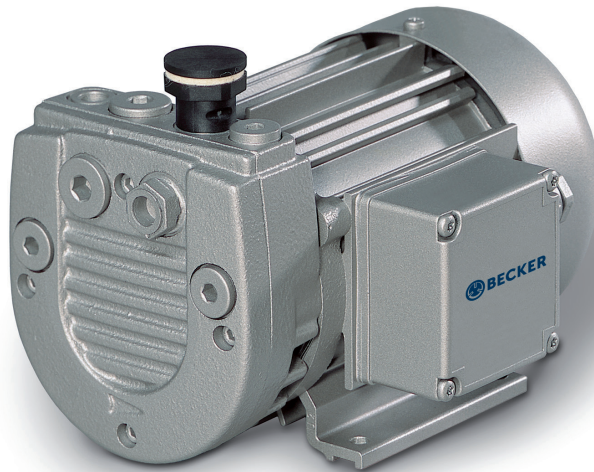
VT 4.4

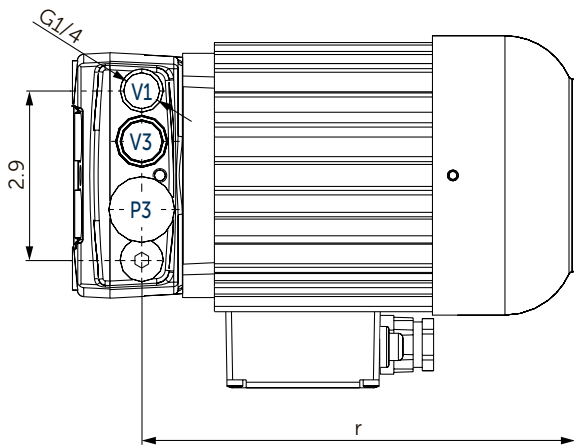
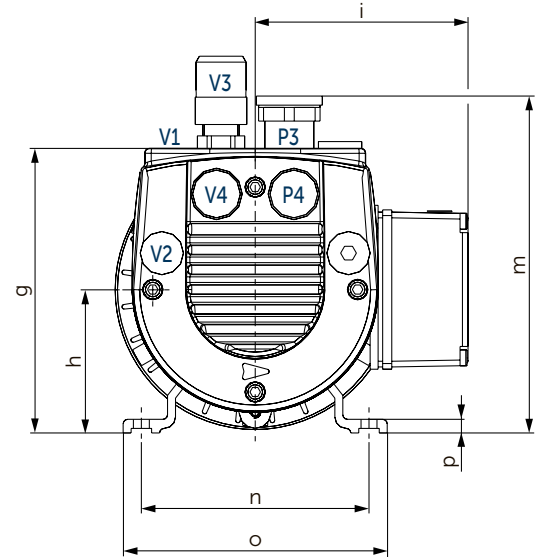
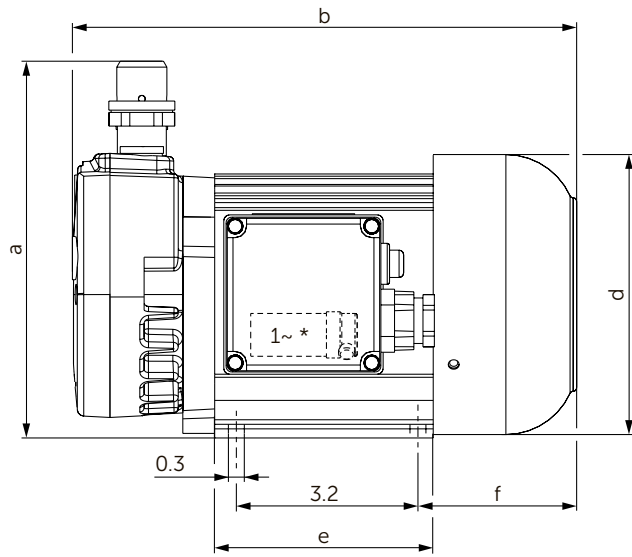
ROTARY VANE VACUUM PUMPS

oil-free

air-cooled

MAKE IT BECKER.





- V1 (V2) Vacuum connection (G $\frac{1}{4}$)
- V3 (V4) Vacuum regulating valve
- P3 (P4) Blow-off valve
- (XX) Alternative
 - * The size and position of the capacitor can change with changed voltage / frequency.
 - Including integrated suction air filter
 - The motor illustration may vary
 - Dimensions in inch

Motors	inch												
	a	b	d	e	f	g	h	i	m	n	o	p	r
3~	6.5	8.7	4.9	3.9	2.7	4.9	2.5	3.7	5.8	3.9	4.6	0.24	7.5
1~	6.5	8.7	4.9	3.9	2.7	4.9	2.5	3.7	5.8	3.9	4.6	0.24	7.5

Suction air rate		Vacuum		Emission sound pressure level ¹⁾		Weight with motor ²⁾
CFM		Torr	in. HgV	dB(A)		lbs
50 Hz	60 Hz	50 & 60 Hz	50 & 60 Hz	50 Hz	60 Hz	
2.4	2.8	112.5	25.1	59	61	≈15.4

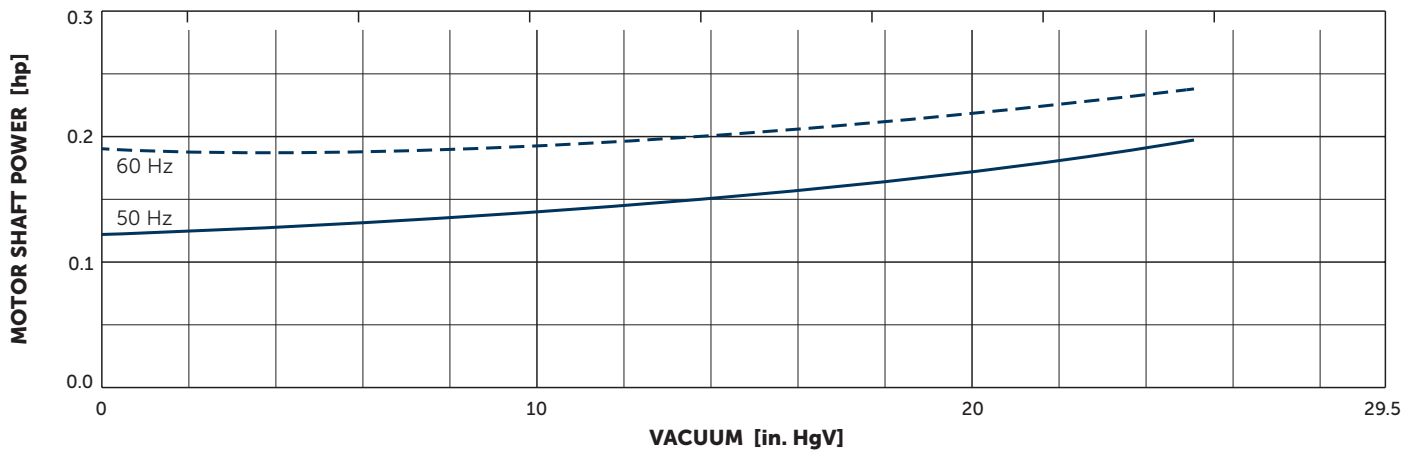
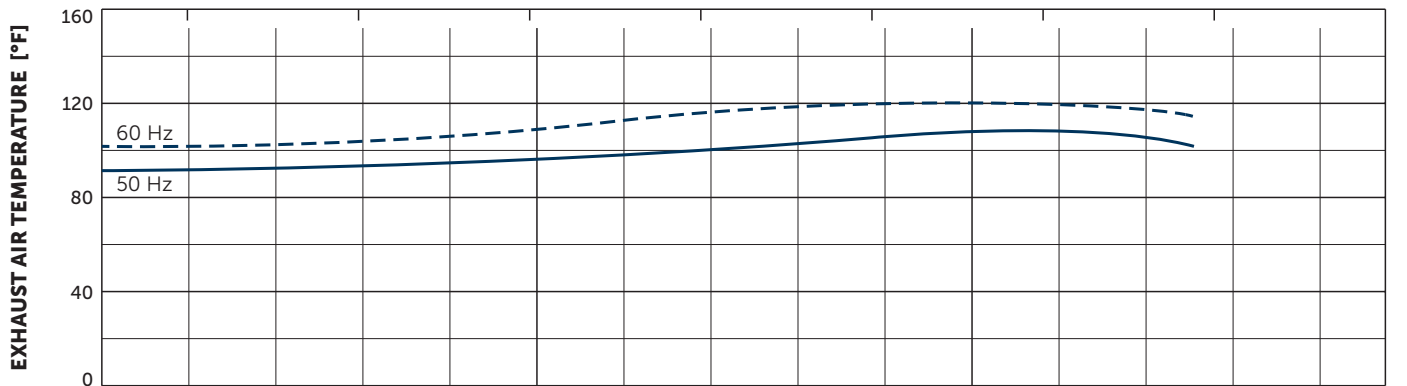
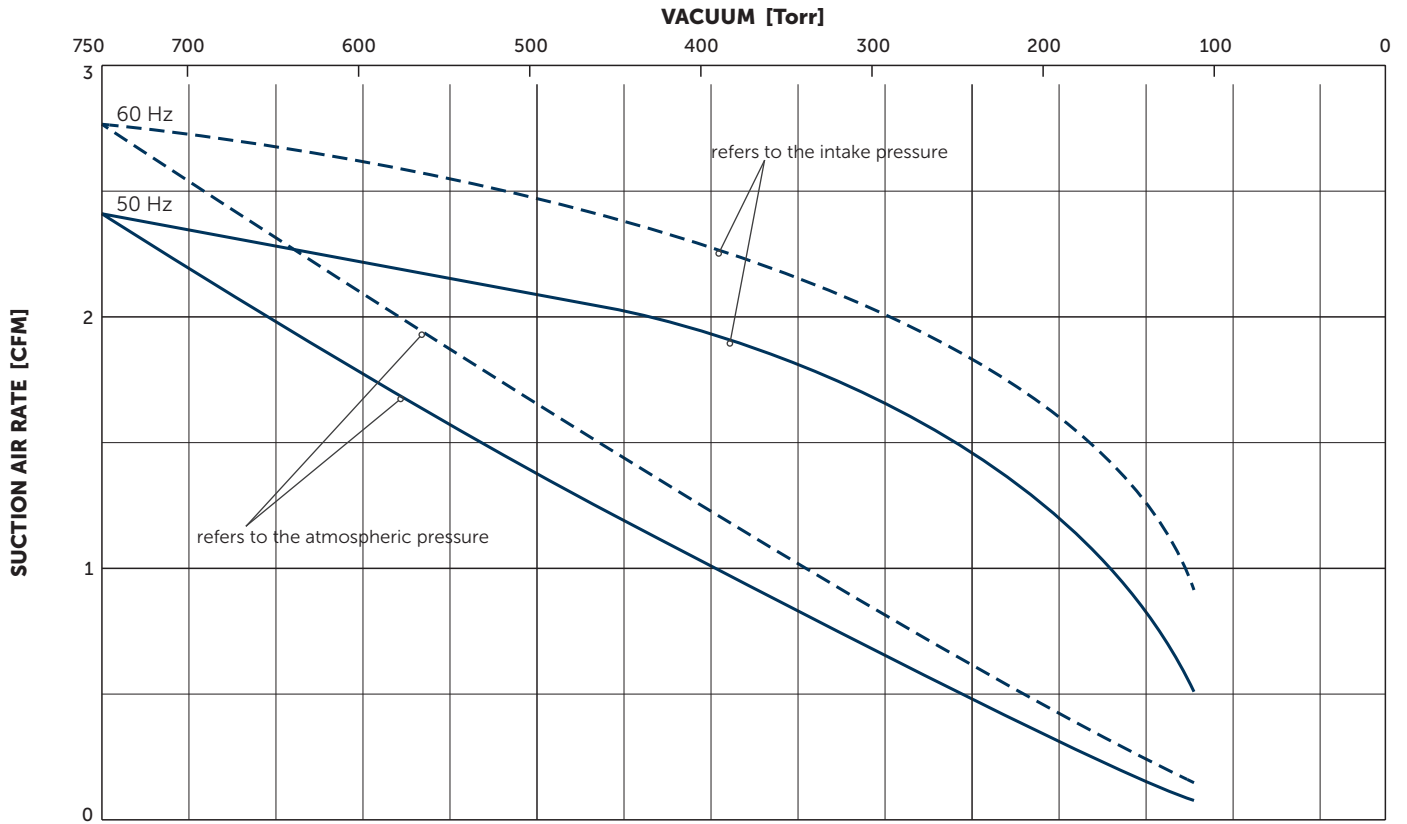
¹⁾ According to DIN EN ISO 3744 (KpA = 3 dB(A)), 39.4 inch distance, at medium load, both connection sides piped

²⁾ Depending on the motor

3~ Motors											
#	50 Hz				60 Hz				Version		
	hp	V	rpm	A	hp	V	rpm	A			
01	0.24	Δ230/Y400	IE2	2905	1.39/0.80	0.30	Δ208/Y360	IE4	3420	1.12/0.65	IP55 • ISO F • bimetal
						0.30	Δ230/Y400	IE2	3460	1.16/0.65	
						0.24	Δ265/Y460	IE2	3515	1.26/0.73	
						0.30	Δ265/Y460	IE2	3495	1.32/0.76	
02	0.24	175–260/300–450		2800	1.08/0.62	0.29	202–300/350–520	3360	1.08/0.63	IP54 • ISO F	

1~ Motor									
#	50 Hz				60 Hz				Version
	hp	V	rpm	A	hp	V	rpm	A	
01	0.24	230 ±10%	2750	1.65	0.29	230 ±10%	3200	1.65	IP54 • ISO F • bimetal 4,5 μF (400 V)

- Current consumption and rotation speed may vary. Tolerance in each case -1.5/+2%

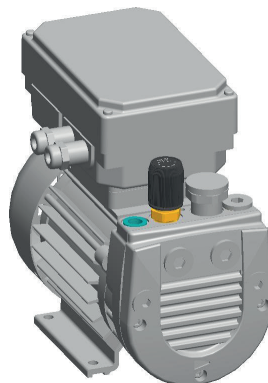


Reference data (atmosphere): 0 in. HgV, 68°F; Tolerance: ±10%

+ VARIANTS AND ACCESSORIES

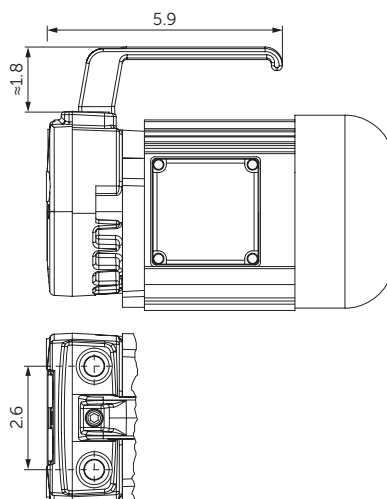
VT 4.4 DC¹⁾

- with 24V DC motor



VT 4.4/0-28

- with handle



¹⁾ See separate data sheet

- Dimensions in inch – For other dimensions, see the figure on page 2.



MAKE IT BECKER.