

DATA SHEET

VT 4.25

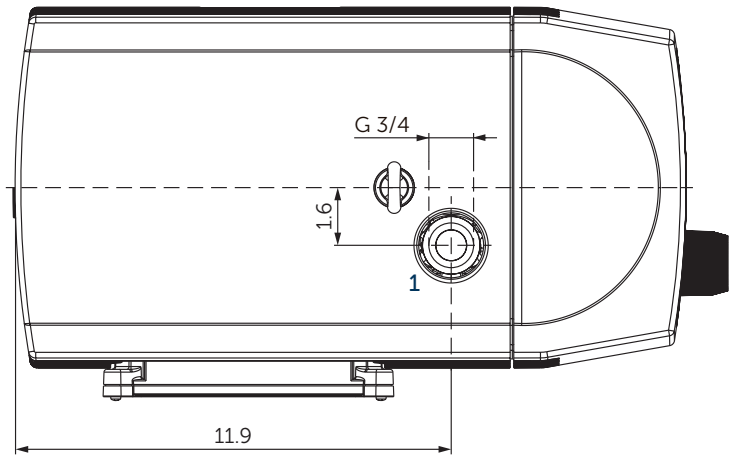
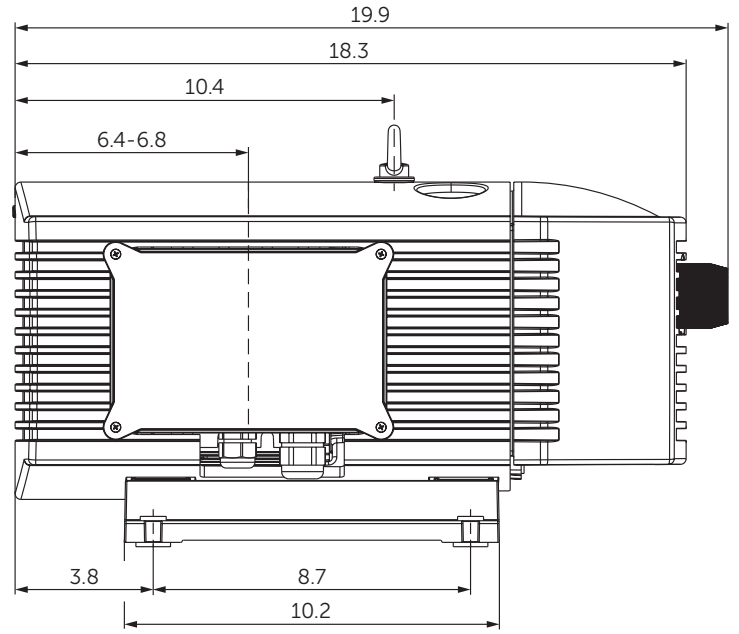
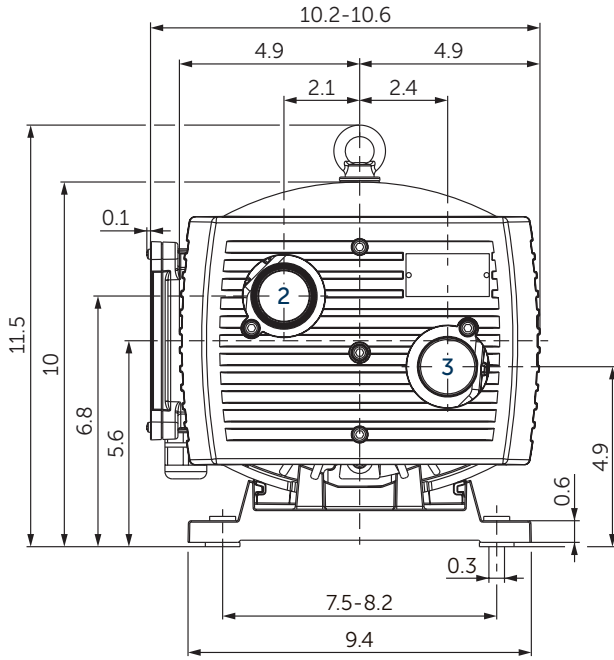
ROTARY VANE VACUUM PUMPS

oil-free

air-cooled

MAKE IT BECKER.





- 1 Vacuum connection (G³/₄)
- 2 Vacuum regulating valve
- 3 Blow-off valve
- Including integrated suction air filter
- The illustration of the terminal box may vary.
- Dimensions in inch

Suction air rate		Vacuum		Emission sound pressure level ¹⁾		Weight with motor
CFM		Torr	in. HgV	dB(A)		lbs
50 Hz	60 Hz	50 & 60 Hz	50 & 60 Hz	50 Hz	60 Hz	
14.7	17.7	112.5	25.4	62	67	≈57.3–63.9 ²⁾

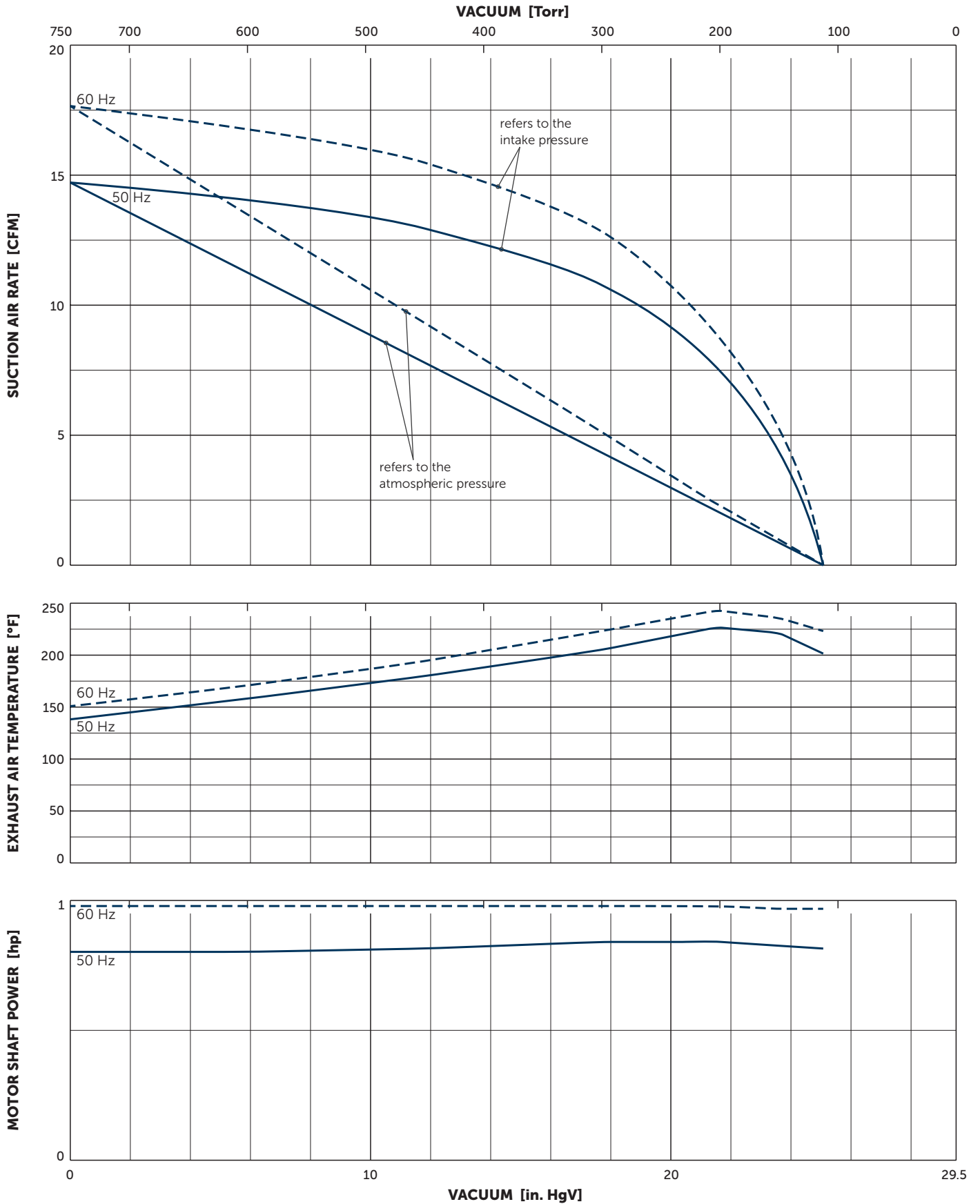
¹⁾ According to DIN EN ISO 3744 (KpA = 3 dB(A)), 39.4 inch distance, at medium load, both connection sides piped

²⁾ Depending on the motor

3~ Motors											
#	50 Hz				60 Hz				Version		
	hp	V	rpm	A	hp	V	rpm	A			
01	1.0	Y400	IE3	1450	1.9	YY230/Y460	IE3	1745	3.6/1.8	UL (E113150) • CSA • CC046A IP55 • ISO F PTO bimetal 150°C	
						YY208	IE3	1730	3.7		
						Y400	–	1725	1.9		
02	1.0	Δ200/Y350	IE3	1450	4.2/2.4	Δ220/Y380–400	IE3	1745	4.0/2.3	UL (E113150) • CSA IP55 • ISO F PTO bimetal 150°C	
						Δ200/Y350	–	1730	4.2/2.4		
03	1.0	190–255/ 330–440	–	1430	3.9–4.85/ 2.25–2.8	1.2	190–290/ 330–500	–	1690	4.65–4.25/ 2.7–2.45	IP54 • ISO F

1~ Motor										
#	50 Hz				60 Hz				Version	
	hp	V	rpm	A	hp	V	rpm	A		
01	1.1	230 ±10%	1350	6.4	1.3	230 ±10%	1600	7.2	IP54 • ISO F 25 μF (450 V)	

- Current consumption and rotation speed may vary. Tolerance in each case -1.5/+2%



Reference data (atmosphere): 0 in. HgV, 68°F; Tolerance: ±5%
 Air temperature: 41°F ... 135°F

+ VARIANTS AND ACCESSORIES

VX 4.25

SERIES X: BECKER INNOVATION WITH TOP WARRANTY

Equipped with specially developed vanes, these oil-free rotary vane pumps distinguish themselves by high abrasion resistance, and with that extremely long service lives. Due to the low wear there is also minimal dust, so the series X pumps are perfectly suited for precision processes under clean room conditions.

This innovation branded by Becker is outstanding not only because of its 100 percent oil-free operation, excellent degree of efficiency and low power consumption.

In the area of sensitive vacuum, series X also guarantees precise low-pulsation air conduction.

Becker guarantees for these pumps a vane life-time of 20,000 operating hours or a maximum of 3 years. The enhanced longevity of X series pumps also extends service life intervals, and can cut out the need for frequent service visits with costly pump failures now no longer an issue.



ADVANTAGES

- Quick, clean and quiet
- Oil-free
- Wear resistant
- Energy saving
- Long-life reliability
- Ultimate pressure 26.6 in. HgV

OTHER VARIANTS AND ACCESSORIES

- With external suction filter¹⁾
- Sound proof box SH 19¹⁾



Example for an external suction filter



Sound proof box SH 19

¹⁾ See separate data sheet

- Possible combinations on request



MAKE IT BECKER.