

DATA SHEET

VARIAIR SV 700/1

SIDE CHANNEL BLOWERS

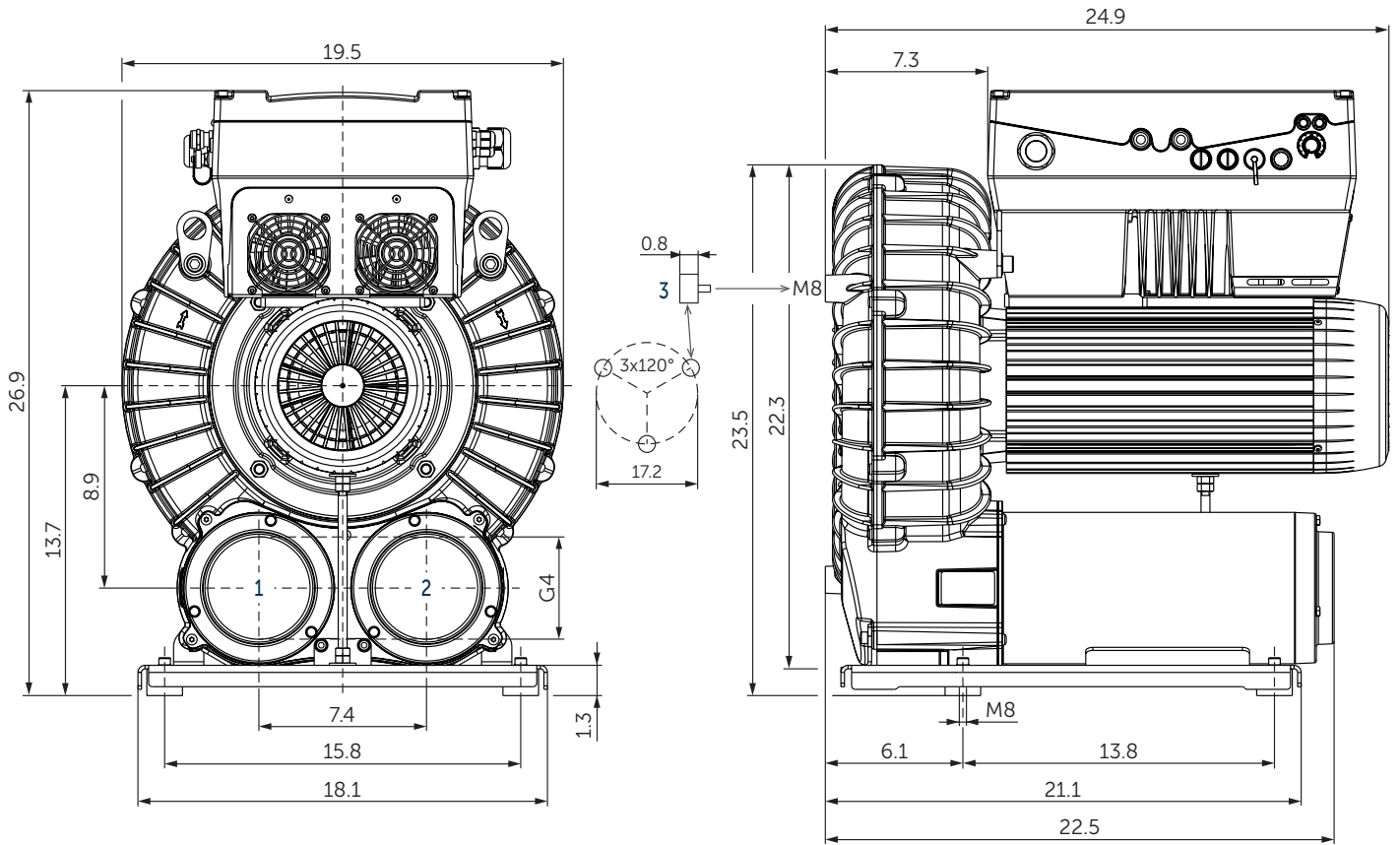
single stage, air-cooled
frequency inverter

MAKE IT BECKER.



VARIAIR
UNIT

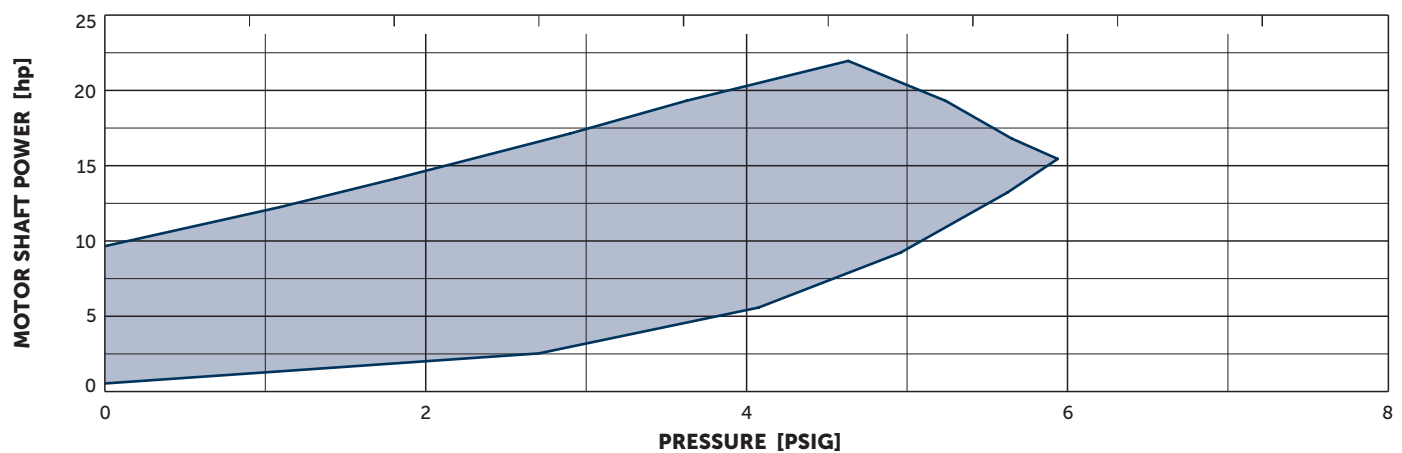
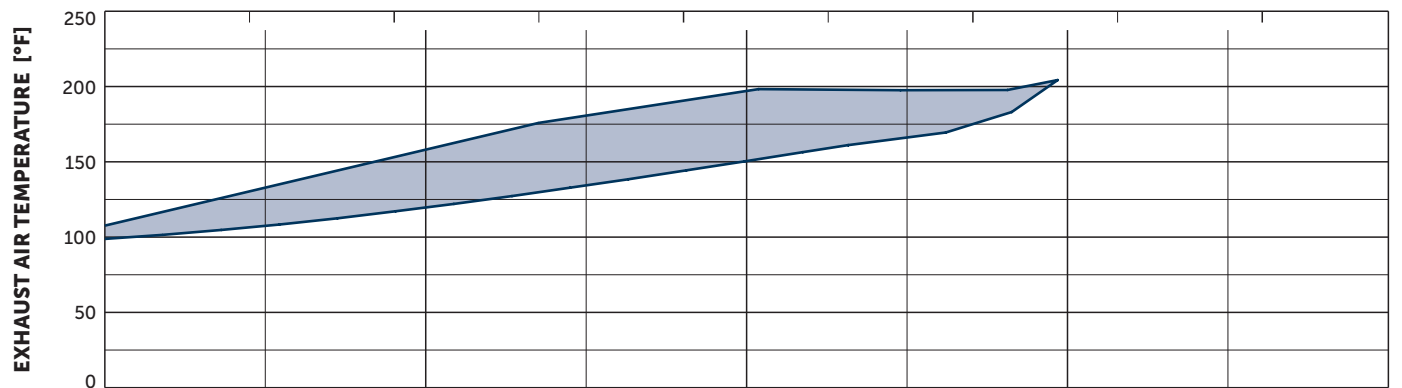
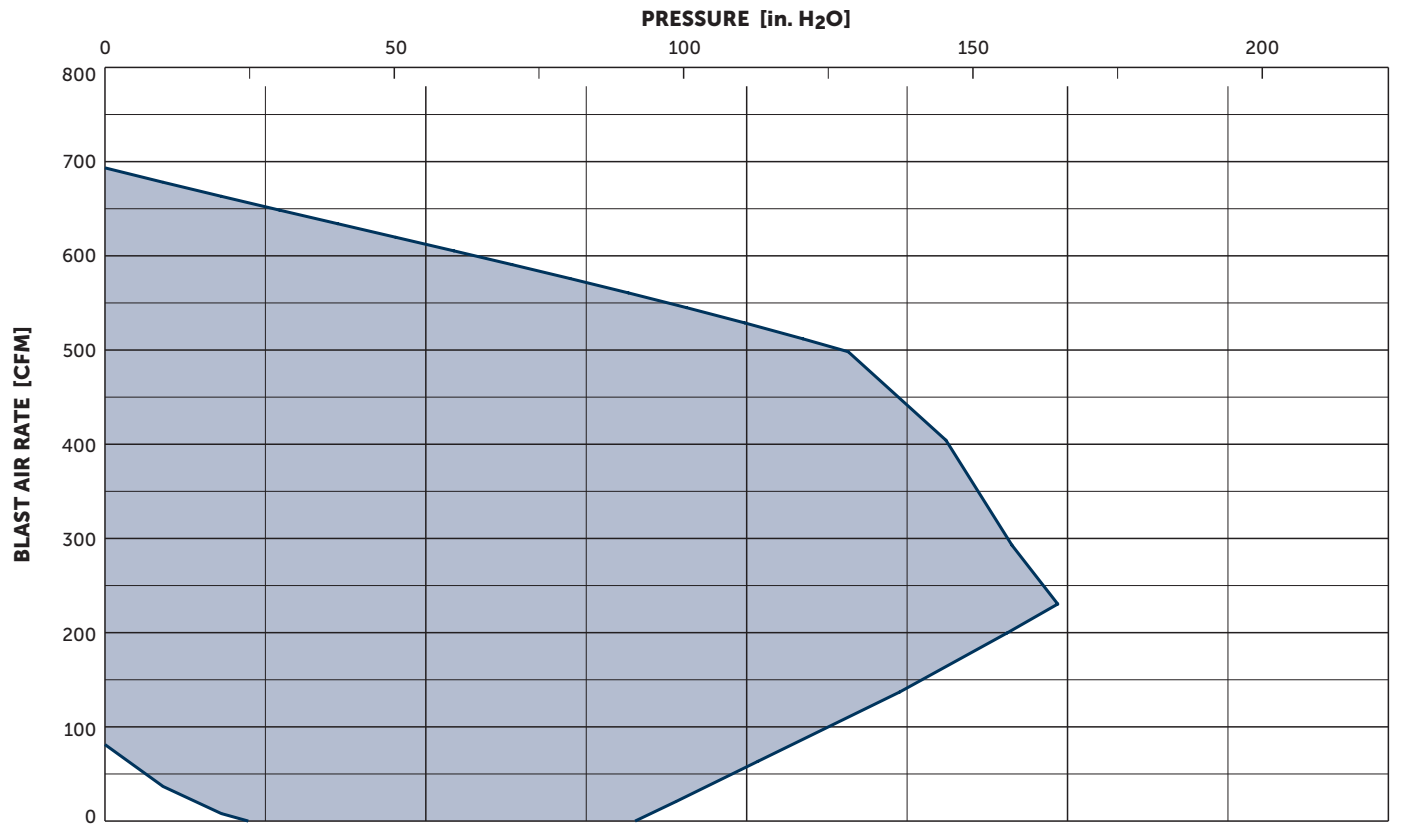
 **BECKER**



- 1 Vacuum connection (G4)
- 2 Pressure connection (G4)
- 3 Rubber buffer position (optional)
- Dimensions in inch

Blast air rate	Pressure		Frequency	Emission sound pressure level ¹⁾	Weight			
	CFM	in. H ₂ O						PSIG
max.	max.	max.		@ 80.4 in. H ₂ O (53 Hz)			VAU11-22/3	max.
694	164.6	5.9	10–80	75.1	264.6	14.8–29.5 400–480 V ±10% 50/60 Hz	35	

¹⁾ According to DIN EN ISO 11203, accuracy class of measurement: class 2, extended measurement uncertainty: 3 dB
39.4 inch distance, at medium load, both connection sides piped



Reference data (atmosphere): 0 PSIG, 68°F; Tolerance: ±10%
 Temperature: Ambient air 14°F ... 104°F, Inlet air 32°F ... 104°F



MAKE IT BECKER.