

DATA SHEET

VARIAIR SV 201/1

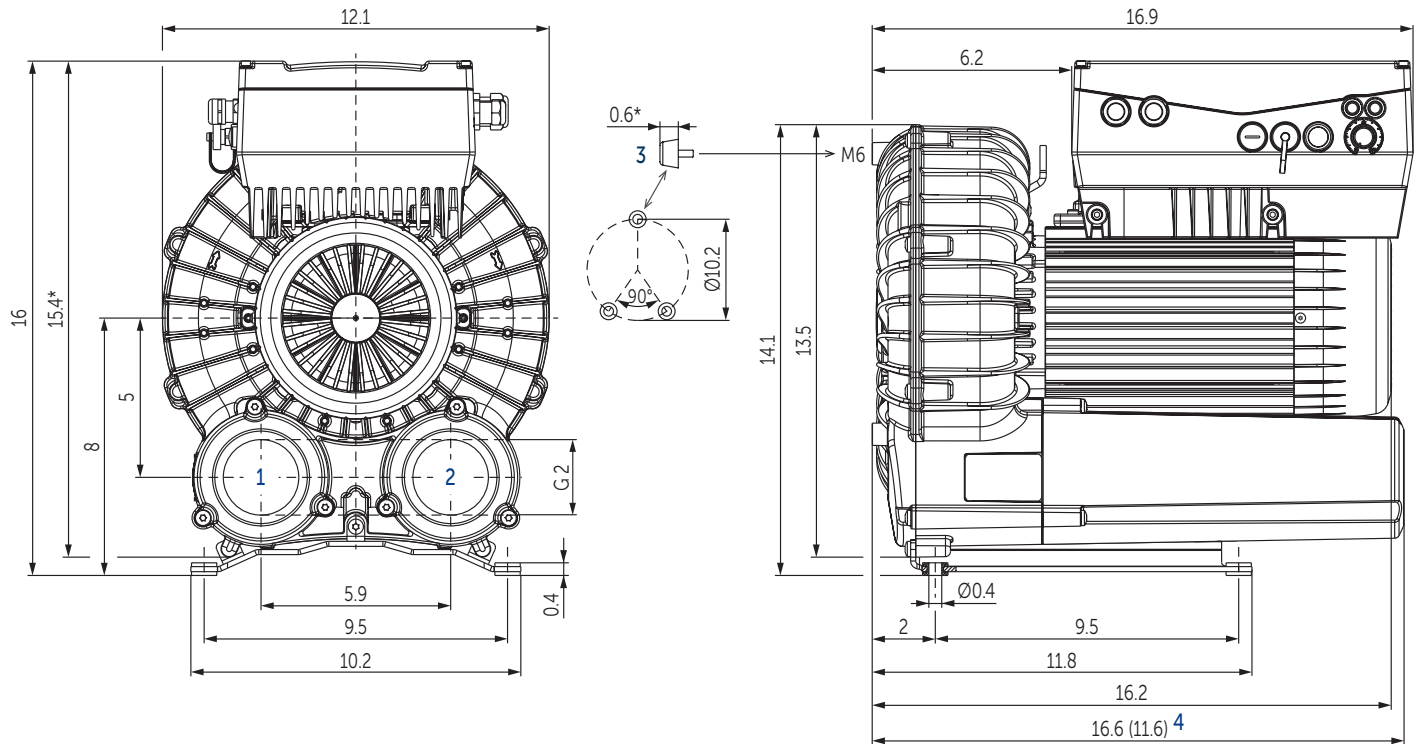
SIDE CHANNEL BLOWERS

single stage, air-cooled
frequency inverter

MAKE IT BECKER.



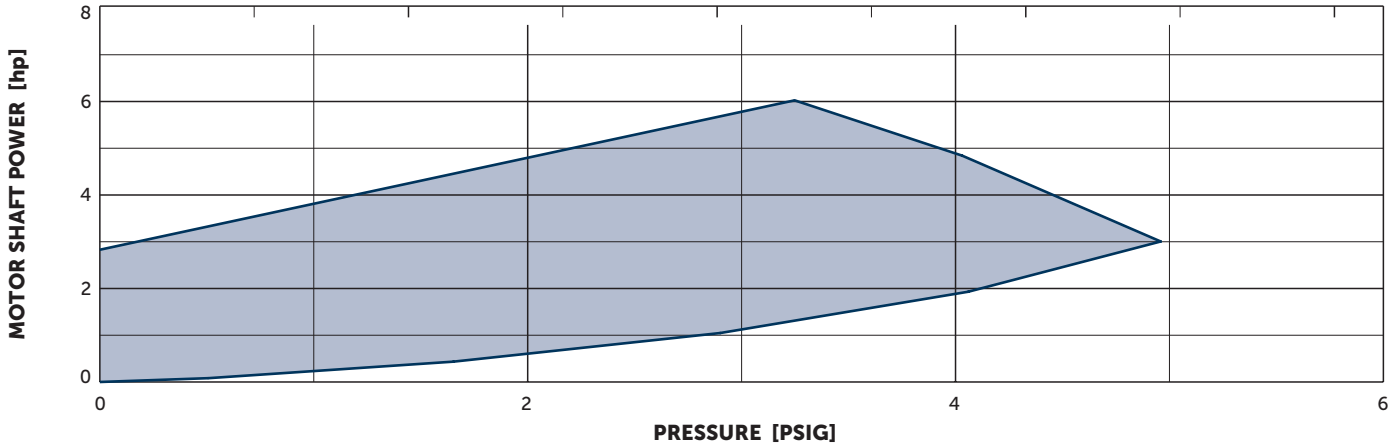
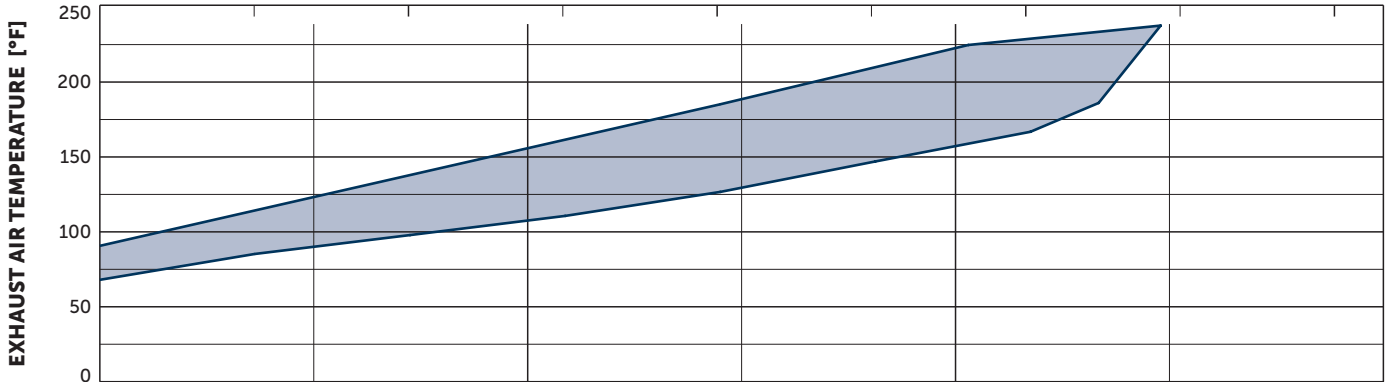
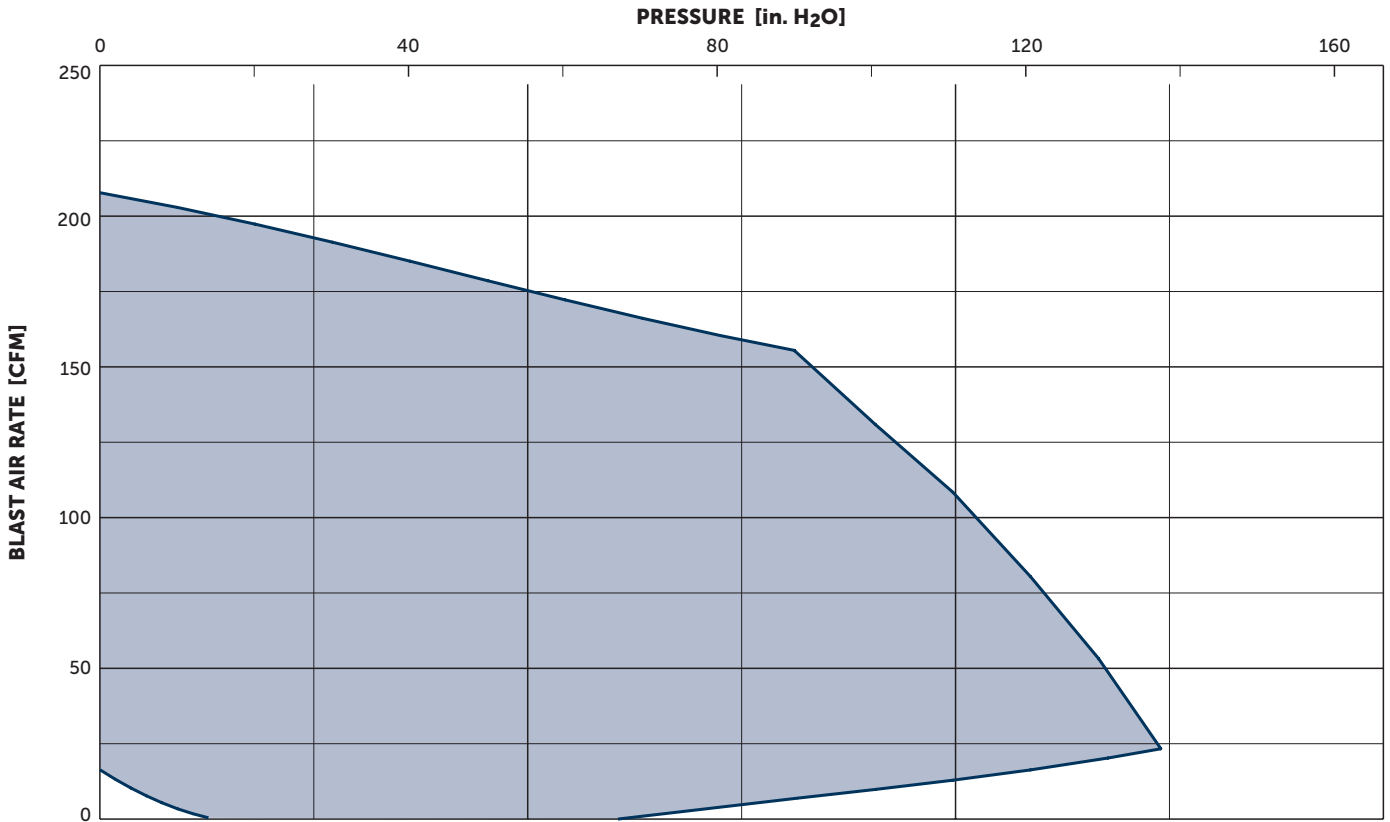
figure VARIAIR SV 300



- 1 Vacuum connection (G2)
- 2 Pressure connection (G2)
- 3 Rubber buffer position (optional)
- 4 Optional with shorter silencers
- * Device dimensions without pedestal (optional) under the silencer
- Dimensions in inch

Blast air rate	Pressure		Frequency	Emission sound pressure level ¹⁾	Weight		
	CFM max.	in. H ₂ O max.					
206	136.7	4.9	10–100	77.7	70.6	5.4 hp 400–480 V ±10% 50/60 Hz	16

¹⁾ According to DIN EN ISO 11203, accuracy class of measurement: class 2, extended measurement uncertainty: 3 dB 39.4 inch distance, at medium load, both connection sides piped



Reference data (atmosphere): 0 in. HgV, 68°F; Tolerance: ±10%; Max. ambient temperature: 14°F ... 104°F



MAKE IT BECKER.