

DATA SHEET

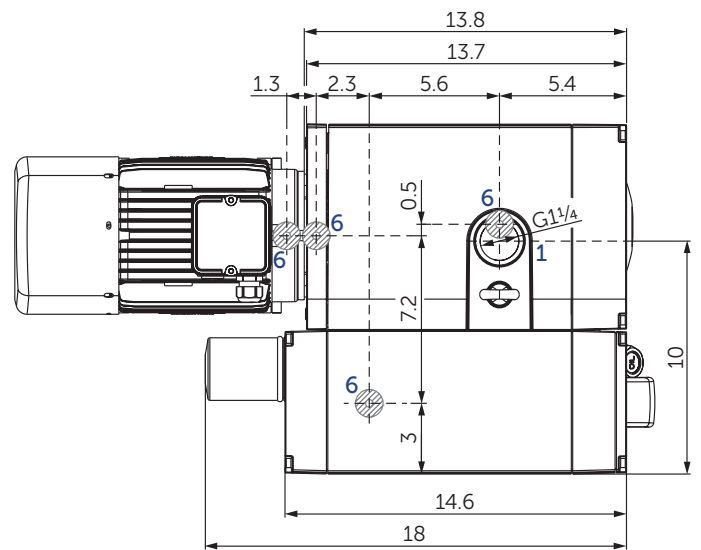
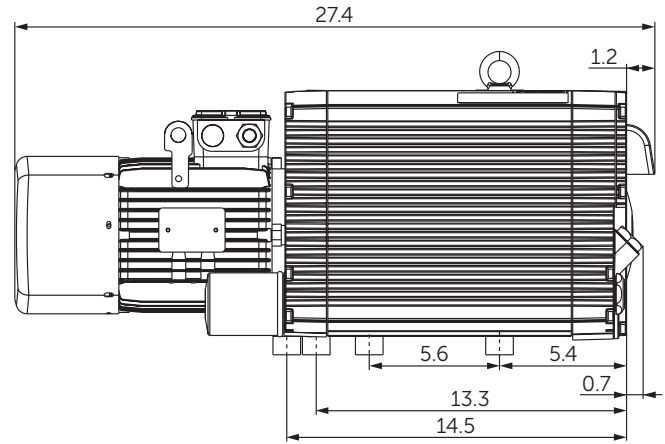
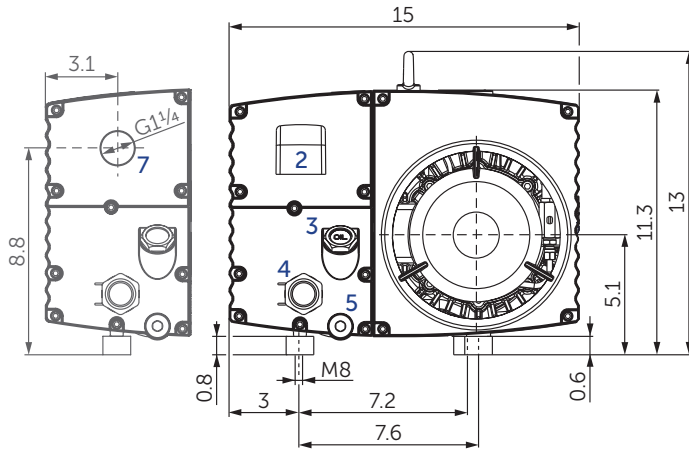
U 5.71

ROTARY VANE- VACUUM PUMPS

oil-lubricated
air-cooled

MAKE IT BECKER.





- 1 Vacuum connection (G1¼)
- 2 Exhaust air (diverter)
- 3 Oil filler cap (G¾)
- 4 Oil sight glas (G1)
- 5 Screw plug for oil drain (G½)
- 6 Rubber buffer position
- 7 optional: threaded connector for exhaust air (G1¼)
- incl. gas ballast valve, non-return valve, oil separator and oil filter
- The motor illustration may vary
- Dimensions in inch

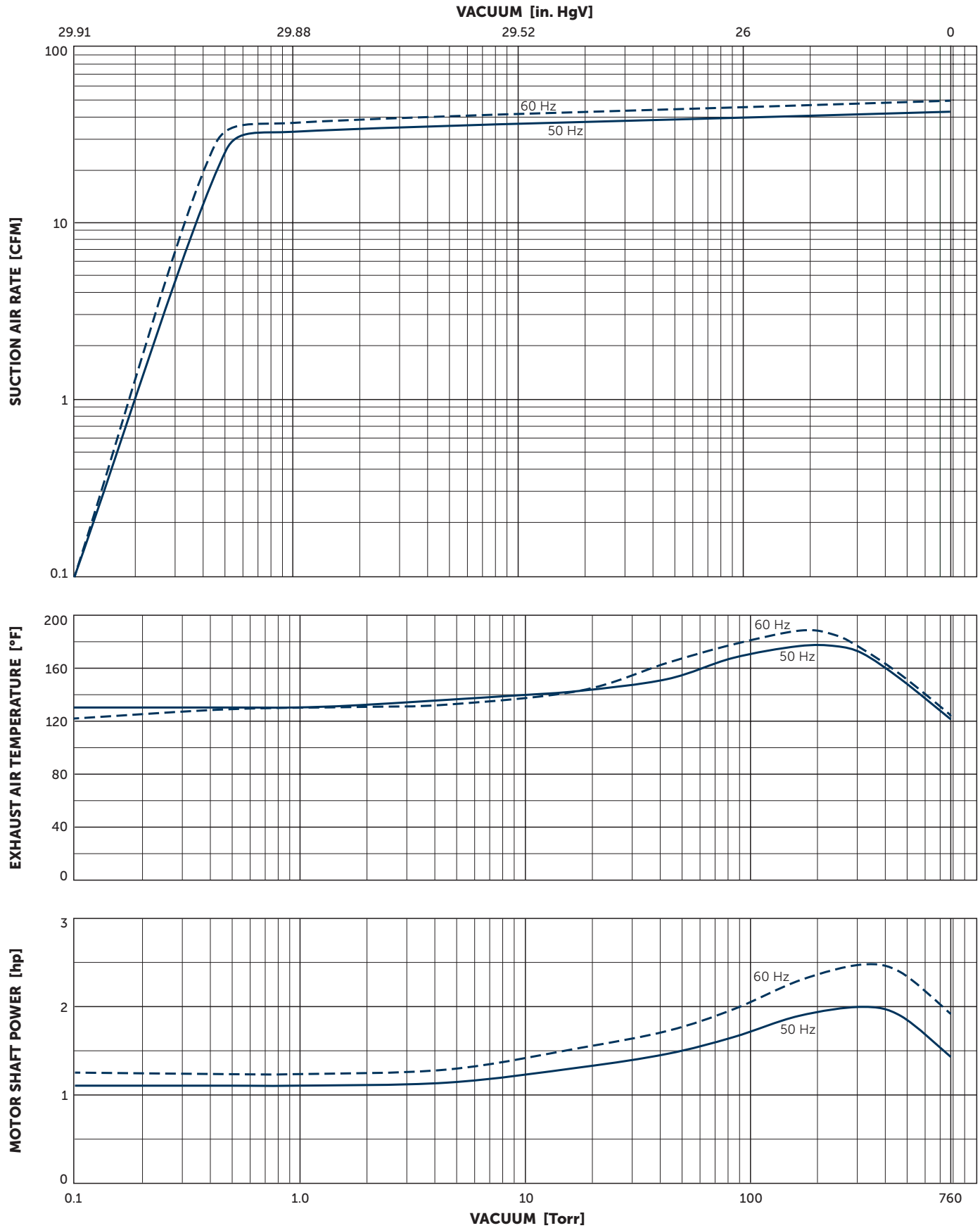
Nominal capacity		Vacuum absolute for continous operation		Motors		Emission sound pressure level ¹⁾		Weight w/o motor	Oil ²⁾
CFM		Torr		hp		dB(A)		lbs	U.S. gal.
50 Hz	60 Hz	50 Hz	60 Hz	50 Hz	60 Hz	50 Hz	60 Hz		
41.2	49.4	<0.075–300	<0.075–300	2.0	2.4	64	67	133.4	0.53

¹⁾ According to DIN EN ISO 11203, accuracy class of measurement: class 2, extended measurement uncertainty: 3 dB
39.4 inch distance, at medium load, both connection sides piped

²⁾ Becker Lube: Synthetic Oil • Premium Synthetic Oil (PAO) • Food Grade Vacuum Pump Oil
▪ Gas ballast valve: vacuum 0.75 Torr with opened gas ballast valve; water vapour tolerance max. 5.25 Torr; water vapour capacity max. 0.119 U.S.gal./h (at 185°F operating temperature)

3~ Motors											
#	50 Hz					60 Hz					Version
	hp	V	IE3	rpm	A	hp	V	IE3	rpm	A	
01	2.0	Δ230/Y400	IE3	1420	6.4/3.7	2.4	Δ265/Y460	IE3	1715	6.4/3.7	UL(E365362) • CSA IP55 • ISO F • bimetal
							Δ230/Y400			1675	
02						2.4	YY230/Y460	IE3	1730	6.8/3.4	UL(E365362) • CSA IP55 • ISO F • bimetal
							YY208			1705	
03	2.0	Δ200/Y350		1440	7.4/4.3	2.4	Δ220/Y380-400	IE3	1725	7.3/4.2-4.0	UL(E365362) • CSA IP55 • ISO F • bimetal
							Δ200/Y350			1705	
04						2.4	Δ400/Y690	IE3	1715	4.2/2.4	UL(E365362) • CSA IP55 • ISO F • bimetal
05	2.0	Δ250/Y500	IE3	1430	5.2/3.0	2.4	Δ330/Y575	IE3	1715	5.3/3.1	UL(E365362) • CSA IP55 • ISO F • bimetal

- Current consumption and rotation speed may vary. Tolerance in each case -1.5/+2%



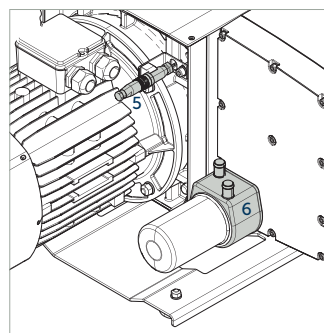
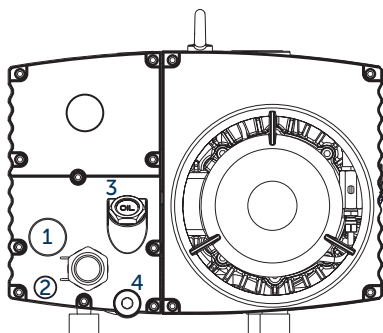
Suction air rate refers to the intake pressure
 Reference data (atmosphere): 0 In. HgV / 760 Torr, 68°F; Tolerance: ±10%

+ VARIANTS AND ACCESSORIES

- Optional **GAS BALLAST VALVE** for increased water vapour tolerance (0.375 Torr)
water vapour tolerance: max. 525 Torr; water vapour capacity: max. 0.119 U.S.gal./h (at 185°F operating temperature)
- **THREADED CONNECTOR** for exhaust air (G1¼)
- **U 5.71 O2-PACK**¹⁾ for packaging with an overconcentration of oxygen

ACCESSORIES

- External suction filter¹⁾
- Oil: Becker Lube Synthetic Oil, Premium Synthetic Oil (PAO) and Food Grade Vacuum Pump Oil



- 1 Oil level switch¹⁾ (G1)
- 2 Oil temperature monitor¹⁾ (G½)
- 3 Maintenance indicator¹⁾ (G¾) for oil separating elements
- 4 Ball valve (G½), with locking and hose connector 19 mm [0.75 inch]
- 5 Temperature sensor PT100
- 6 Water cooler U5.100-0-114.2¹⁾



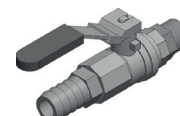
Oil level switch



Oil temperature monitor



Maintenance indicator



Ball valve

¹⁾ See separate data sheet

- Combination options on request



MAKE IT BECKER.