

DATA SHEET

**U 5.166**

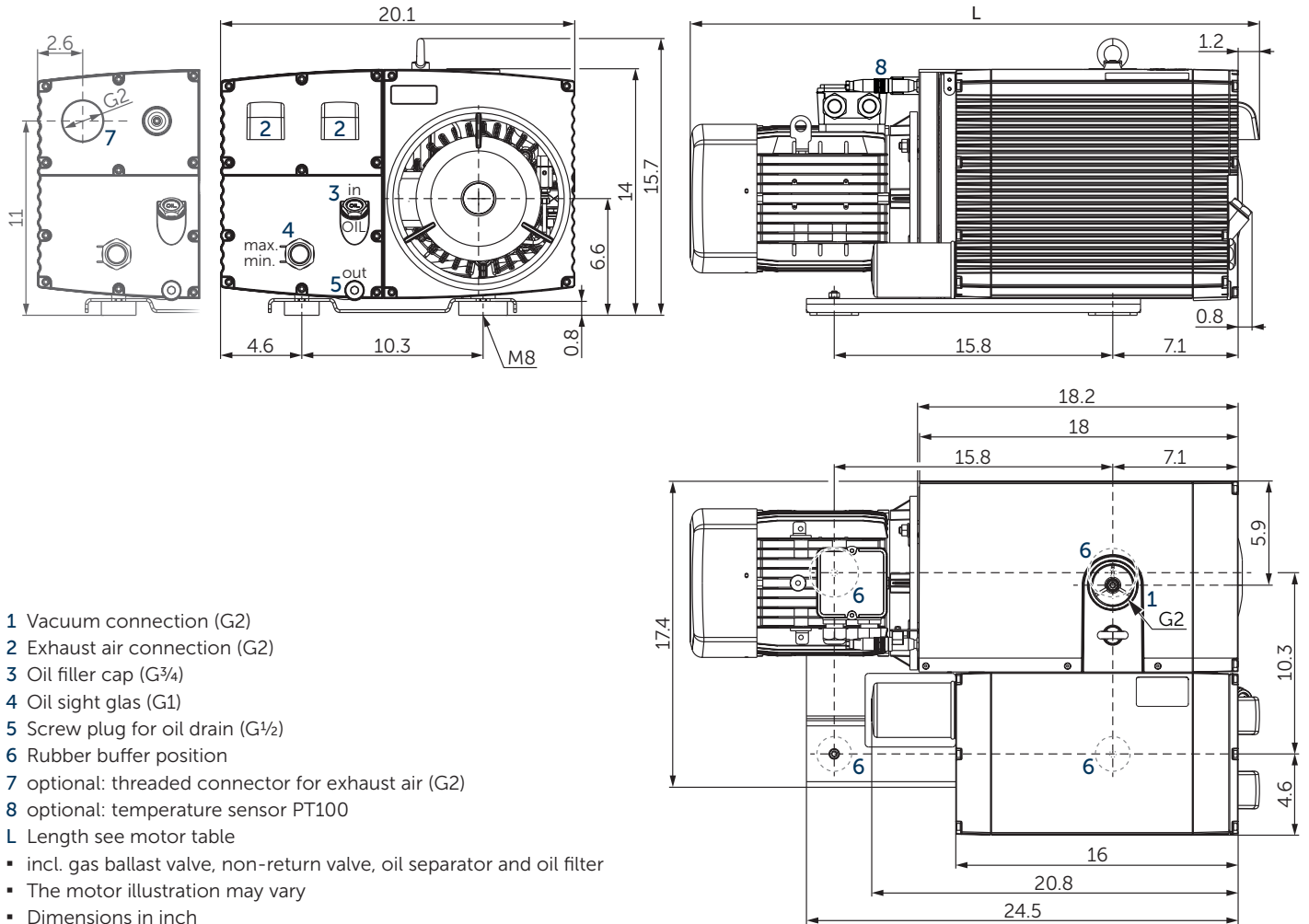
# ROTARY VANE- VACUUM PUMPS

oil-lubricated  
air-cooled

---

**MAKE IT BECKER.**





- 1 Vacuum connection (G2)
- 2 Exhaust air connection (G2)
- 3 Oil filler cap (G<sup>3</sup>/<sub>4</sub>)
- 4 Oil sight glas (G1)
- 5 Screw plug for oil drain (G<sup>1</sup>/<sub>2</sub>)
- 6 Rubber buffer position
- 7 optional: threaded connector for exhaust air (G2)
- 8 optional: temperature sensor PT100
- L Length see motor table
- incl. gas ballast valve, non-return valve, oil separator and oil filter
- The motor illustration may vary
- Dimensions in inch

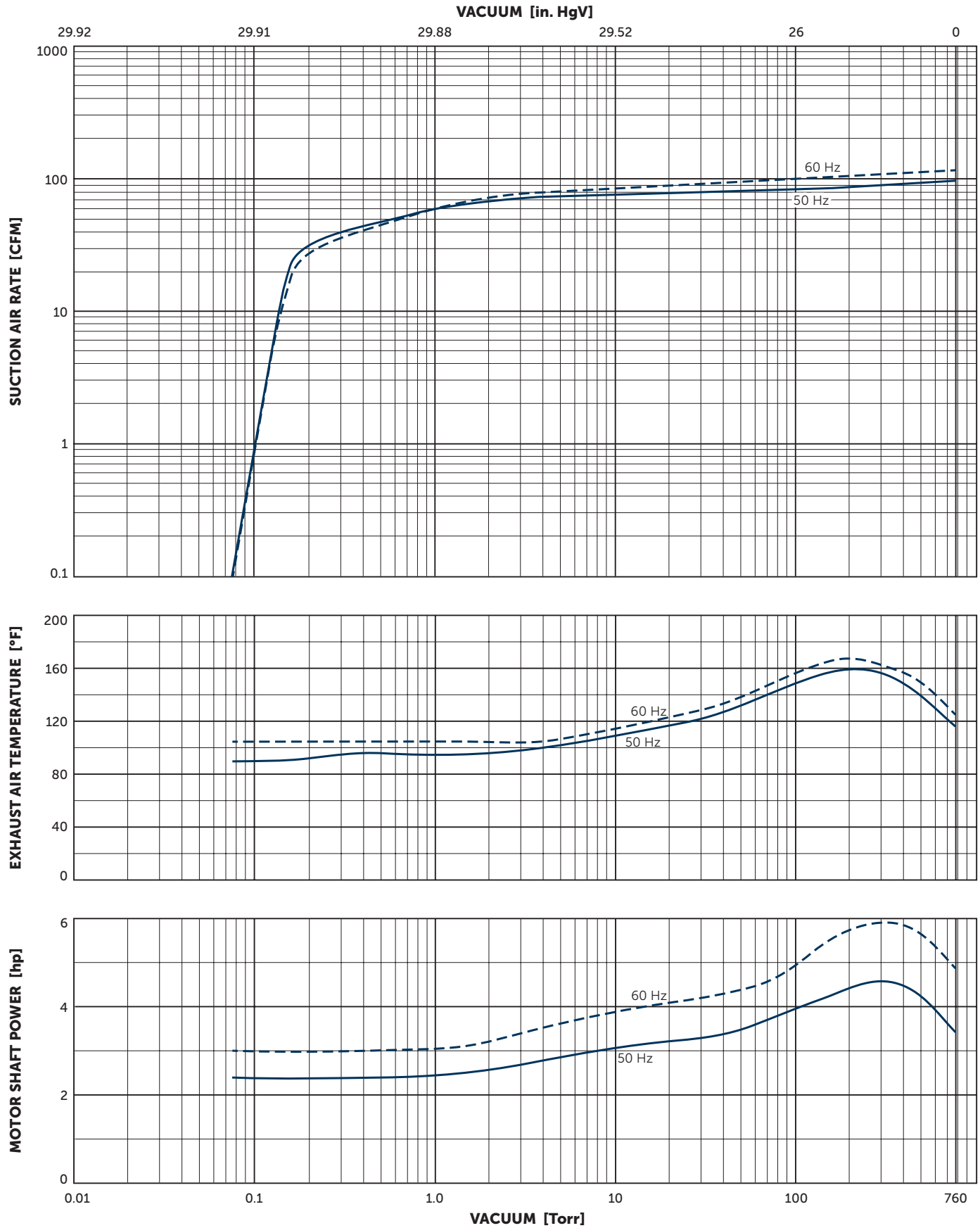
Nominal capacity		Vacuum absolute for continous operation		Motors		Emission sound pressure level <sup>1)</sup>		Weight w/o motor	Oil <sup>2)</sup>
CFM		Torr		hp		dB(A)		lbs	U.S. gal.
50 Hz	60 Hz	50 Hz	60 Hz	50 Hz	60 Hz	50 Hz	60 Hz		
97	116	<0.075–75	<0.075–75	4.0	4.8	70	72	154.4	1.32
97	116	<0.075–300	<0.075–300	5.4	6.4	70	72	154.4	1.32

<sup>1)</sup> According to DIN EN ISO 11203, accuracy class of measurement: class 2, extended measurement uncertainty: 3 dB  
39.4 inch distance, at medium load, both connection sides piped

<sup>2)</sup> Becker Lube: Synthetic Oil • Premium Synthetic Oil (PAO) • Food Grade Vacuum Pump Oil  
▪ Gas ballast valve: vacuum 0.75 Torr with opened gas ballast valve; water vapour tolerance max. 5.25 Torr; water vapour capacity max. 0.079 U.S.gal./h (at 185°F operating temperature)

3~ Motors													L	
#	50 Hz					60 Hz					Version	Weight lbs	inch	
	hp	V	rpm	A	hp	V	rpm	A						
01	4.0	Δ230/Y400	IE3	1458	11.4/6.57	4.8	Δ265/Y460 Δ230/Y400	IE3 –	1749 1736	11.2/6.48 12.0/6.94	UL (E365362) • CSA IP 55 • ISO F • bimetal	81.6	33.2	
02						4.8	YY230/Y460 YY208	IE3 –	1750 1737	12.7/6.34	UL (E365362) • CSA IP 55 • ISO F • bimetal	81.6	33.2	
03	4.0	Δ200/Y350	IE3	1463	12.9/7.47	4.8	Δ200/Y380–400 Δ200/Y350	IE3 –	1753 1739	13.2/7.6–7.24 13.8/8.0	UL (E365362) • CSA IP 55 • ISO F • bimetal	81.6	33.2	
04						4.8	Δ400	IE3	1755	7.28	UL (E365362) • CSA IP 55 • ISO F • bimetal	81.6	33.2	
05	5.4	Δ230/Y400	IE3	1450	14.9/8.6	6.4	Δ265/Y460 Δ230/Y400	IE3 –	1740 1710	14.8/8.5 16.0/9.2	UL (E365362) • CSA IP 55 • ISO F • bimetal	75.0	32.3	
06						6.4	YY230/Y460 YY208	IE3 –	1740 1710		UL (E365362) • CSA IP 55 • ISO F • bimetal	75.0	32.3	
07	5.4	Δ200/Y350				6.4	Δ200/Y380–400 Δ200/Y350	IE3 –	1740 1710		UL (E365362) • CSA IP 55 • ISO F • bimetal	75.0	32.3	
08						6.4	Δ400	IE3	1740	9.8	UL (E365362) • CSA IP 55 • ISO F • bimetal	75.0	32.3	

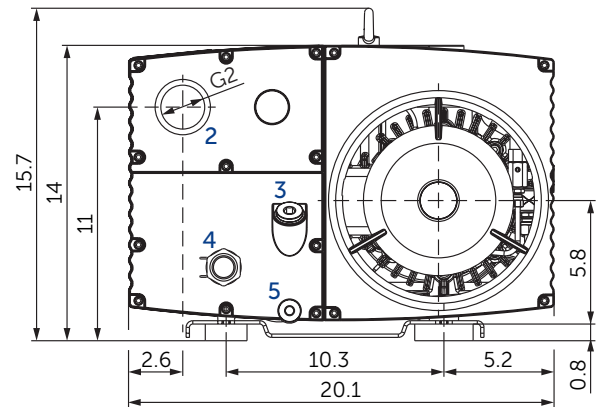
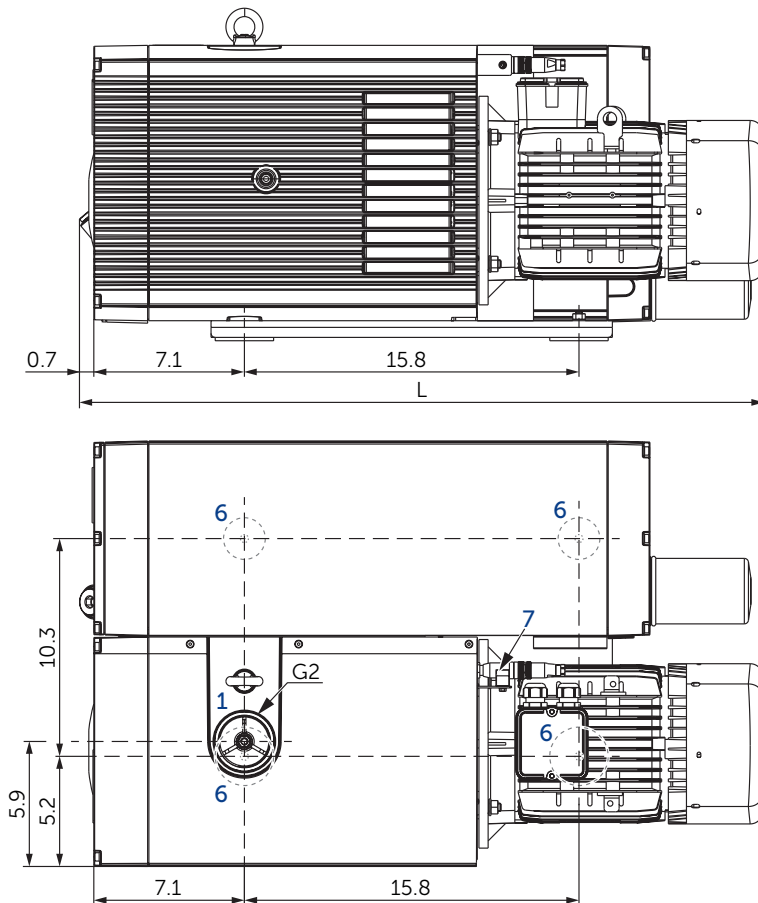
- Current consumption and rotation speed may vary. Tolerance in each case -1.5/+2%



Suction air rate refers to the intake pressure  
 Reference data (atmosphere): 0 In. HgV / 760 Torr, 68°F; Tolerance: ±10%

## + VARIANTS AND ACCESSORIES

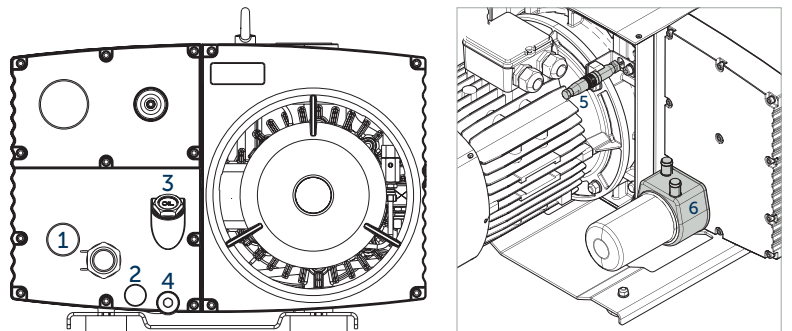
- Optional **GAS BALLAST VALVE** for increased water vapour tolerance (2.25 Torr)  
water vapour tolerance: max. 37.5 Torr; water vapour capacity: max. 0.528 U.S.gal./h (at 185°F operating temperature)
- **THREADED CONNECTOR** for exhaust air (G2)
- **U 5.166 O2-PACK<sup>1)</sup>** for packaging with an overconcentration of oxygen
- **U 5.166/0-62XL** with enlarged oil tank and high efficient triple stage oil separation, weight without motor: 176.4 lbs, oil quantity: 2.6 U.S. gal., further technical data, motors and characteristic curves like standard pump



- 1 Vacuum connection (G2)
- 2 Exhaust air connection (G2)
- 3 Oil filler cap (G<sup>3</sup>/<sub>4</sub>)
- 4 Oil sight glas (G1)
- 5 Screw plug for oil drain (G<sup>1</sup>/<sub>2</sub>)
- 6 Rubber buffer position
- 7 Optional temperature sensor PT100
- L Length see motor table
- incl. gas ballast valve, non-return valve, oil separator and oil filter
- The motor illustration may vary
- Dimensions in inch

### ACCESSORIES

- 1 Oil level switch<sup>1)</sup> (G1)
- 2 Oil temperature monitor<sup>1)</sup> (G<sup>1</sup>/<sub>2</sub>)
- 3 Maintenance indicator<sup>1)</sup> (G<sup>3</sup>/<sub>4</sub>) for oil separating elements
- 4 Ball valve (G<sup>1</sup>/<sub>2</sub>), with locking and hose connector 0.75 inch
- 5 Temperature sensor PT100
- 6 Water cooler U5.200-0-114.2<sup>1)</sup>
- External suction filter
- Oil: Synthetic Oil, Premium Synthetic Oil (PAO) and Food Grade Vacuum Pump Oil



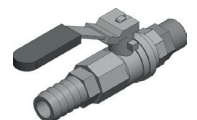
Oil level switch



Oil temperature monitor



Maintenance indicator



Ball valve

<sup>1)</sup> See separate data sheet  
▪ Combination options on request



**MAKE IT BECKER.**