

DATA SHEET

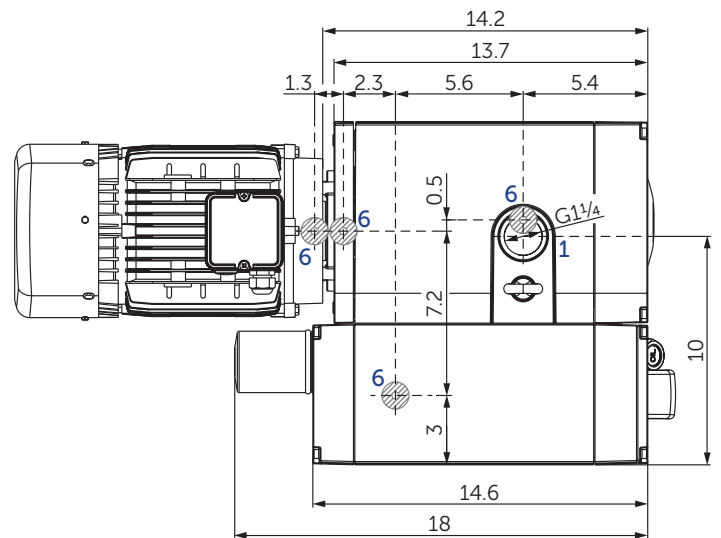
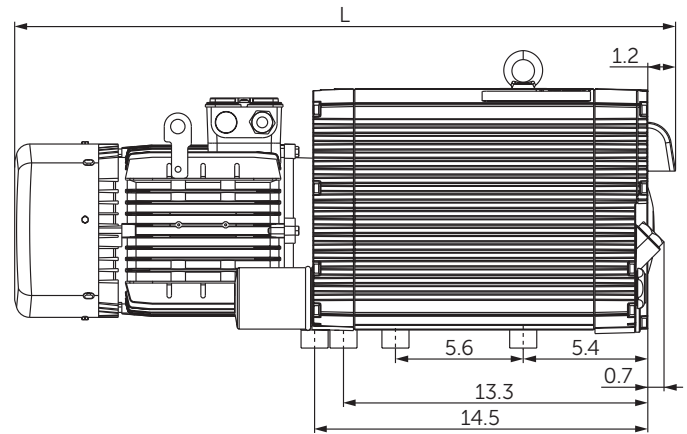
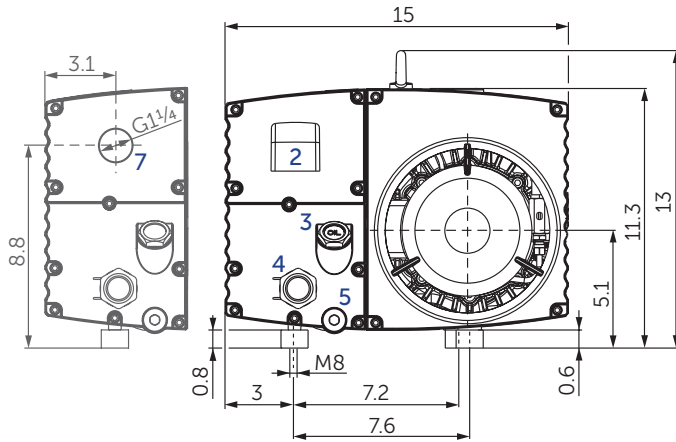
U 5.101

ROTARY VANE- VACUUM PUMPS

oil-lubricated
air-cooled

MAKE IT BECKER.





- 1 Vacuum connection (G1¹/₄)
- 2 Exhaust air (diverter)
- 3 Oil filler cap (G³/₄)
- 4 Oil sight glas (G1)
- 5 Screw plug for oil drain (G¹/₂)
- 6 Rubber buffer position
- 7 optional: threaded connector for exhaust air (G1¹/₄)
 - incl. gas ballast valve, non-return valve, oil separator and oil filter
 - The motor illustration may vary
 - Dimensions in inch

Nominal capacity		Vacuum absolute for continous operation		Motors		Emission sound pressure level ¹⁾		Weight w/o motor	Oil ²⁾
CFM		Torr		hp		dB(A)		lbs	U.S. gal.
50 Hz	60 Hz	50 Hz	60 Hz	50 Hz	60 Hz	50 Hz	60 Hz		
58.8	70.6	<0.075–300	<0.075–300	3.0	3.5	65	68	88.2	0.53

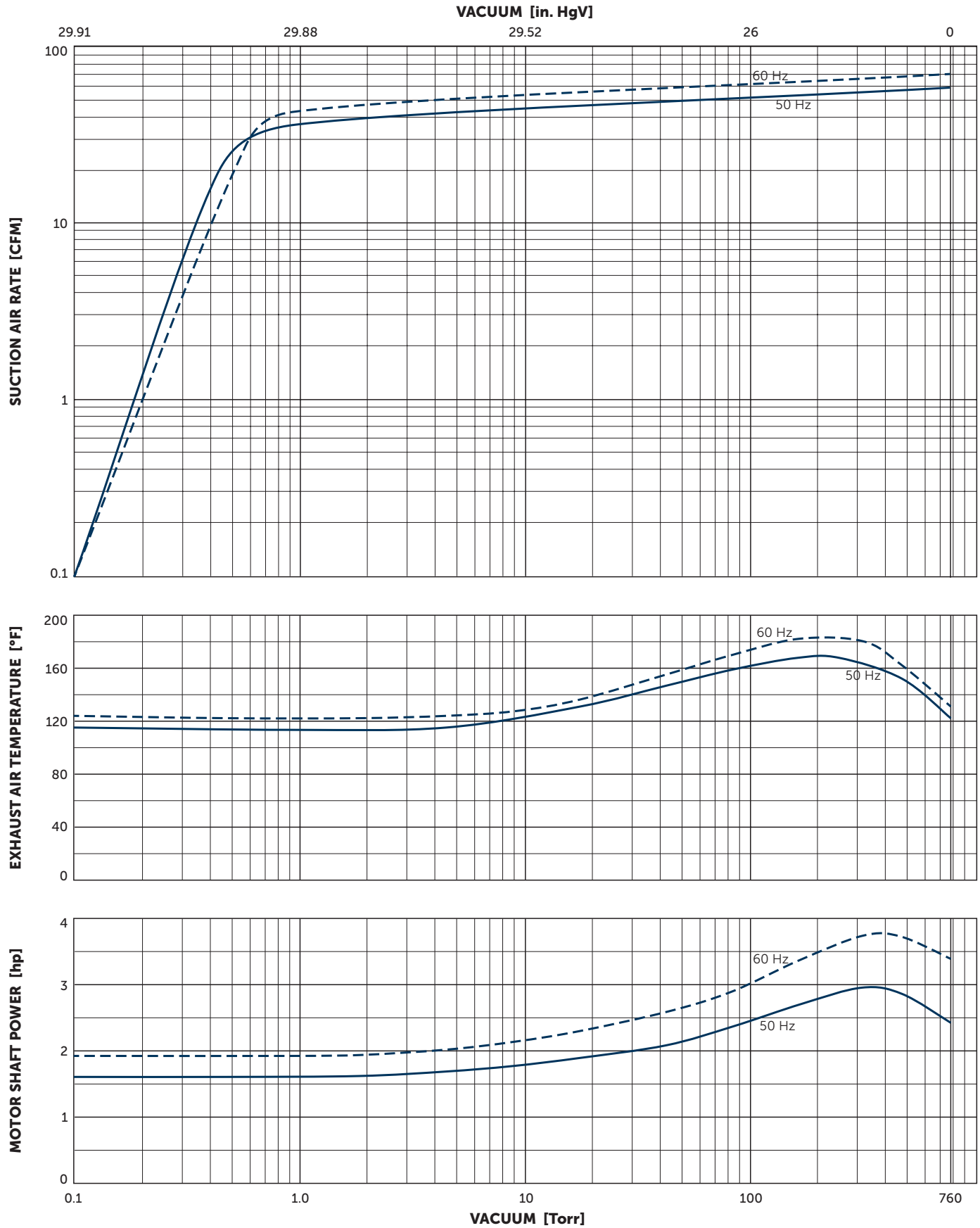
¹⁾ According to DIN EN ISO 11203, accuracy class of measurement: class 2, extended measurement uncertainty: 3 dB
39.4 inch distance, at medium load, both connection sides piped

²⁾ Becker Lube: Synthetic Oil • Premium Synthetic Oil (PAO) • Food Grade Vacuum Pump Oil

▪ Gas ballast valve: vacuum 0.75 Torr with opened gas ballast valve; water vapour tolerance max. 5.25 Torr; water vapour capacity max. 0.238 U.S.gal./h (at 185°F operating temperature)

3~ Motors											L			
#	50 Hz				60 Hz				Version	Weight lbs	inch			
	hp	V	rpm	A	hp	V	rpm	A						
01		Δ230/Y400	IE3	1460	7.45/4.3									
	3.0	Y380	IE3	1454	4.5	3.0	Y460	IE3	1766	3.8	CC055B NEMA Premium			
		Y415	IE3	1464	4.3									
						3.5	Δ208			1740	9.7	UL(E68554) CSA IP55 ISO F PTC	63.9	27.8
							Δ230			1752	8.7			
02						3.5	Y400			1752	5.0			
							Y460			1758	4.4			
03						3.5	YY230/Y460	IE3	1765	9.3/4.6	UL(E365362) • CSA CC334B	81.6	29.2	
							YY208		1755	9.7	IP55 • ISO F • bimetal			
03	3.0	Δ200/Y350	IE3	1460	11.2/6.5	3.5	Δ220/Y380-400	IE3	1750	10.6/6.1-5.8	UL(E365362) • CSA IP55 • ISO F • bimetal	63.9	28.7	
							Δ200/Y350		1740	10.8/6.2				
04						3.5	Δ400/Y690	IE3	1760	5.25/3.03	UL(E365362) • CSA IP55 • ISO F • bimetal	81.6	29.2	

- Current consumption and rotation speed may vary. Tolerance in each case -1.5/+2%



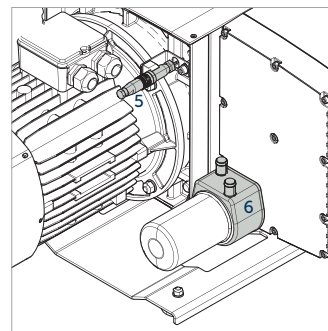
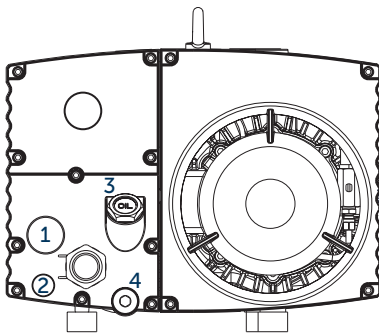
Suction air rate refers to the intake pressure
 Reference data (atmosphere): 0 In. HgV / 760 Torr, 68°F; Tolerance: ±10%

+ VARIANTS AND ACCESSORIES

- Optional **GAS BALLAST VALVE** for increased water vapour tolerance (0.375 Torr)
water vapour tolerance: max. 5.25 Torr; water vapour capacity: max. 0.238 U.S.gal./h (at 185°C operating temperature)
- **THREADED CONNECTOR** for exhaust air (G1¼)
- **U 5.101 O2-PACK**¹⁾ for packaging with an overconcentration of oxygen
- **VARIAIR U 5.101**¹⁾ with frequency inverter VAU4/4

ACCESSORIES

- External suction filter¹⁾
- Oil: Becker Lube Synthetic Oil, Premium Synthetic Oil (PAO) and Food Grade Vacuum Pump Oil



- 1 Oil level switch¹⁾ (G1)
- 2 Oil temperature monitor¹⁾ (G½)
- 3 Maintenance indicator¹⁾ (G¾) for oil separating elements
- 4 Ball valve (G½), with locking and hose connector 19 mm [0.75 inch]
- 5 Temperature sensor PT100
- 6 Water cooler U5.100-0-114.2¹⁾



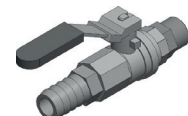
Oil level switch



Oil temperature monitor



Maintenance indicator



Ball valve

¹⁾ See separate data sheet

- Combination options on request



MAKE IT BECKER.