

DATA SHEET

**T 4.40 DV**

**ROTARY VANE**

**PRESSURE/VACUUM PUMPS**

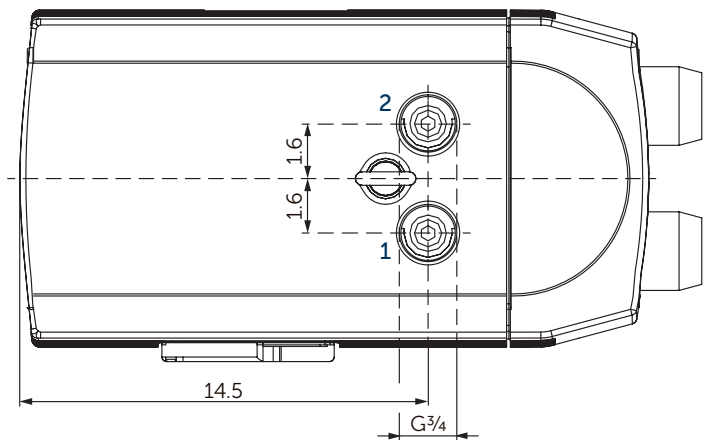
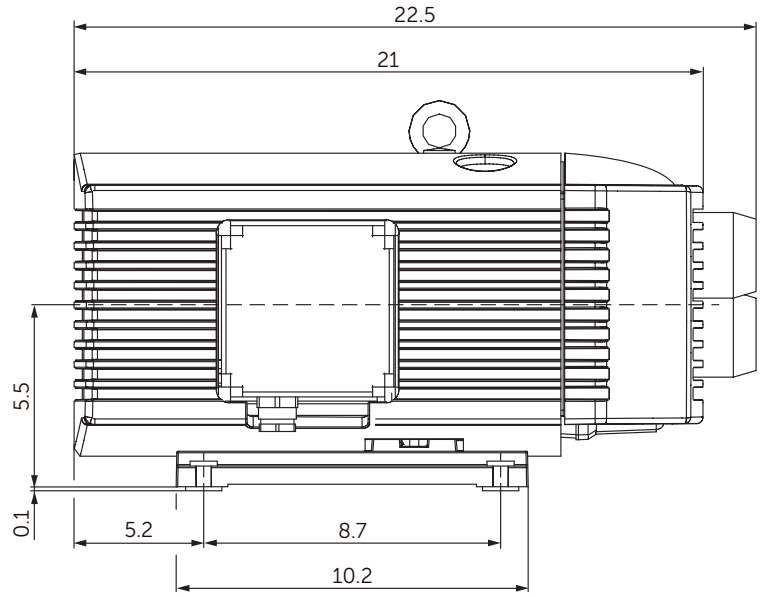
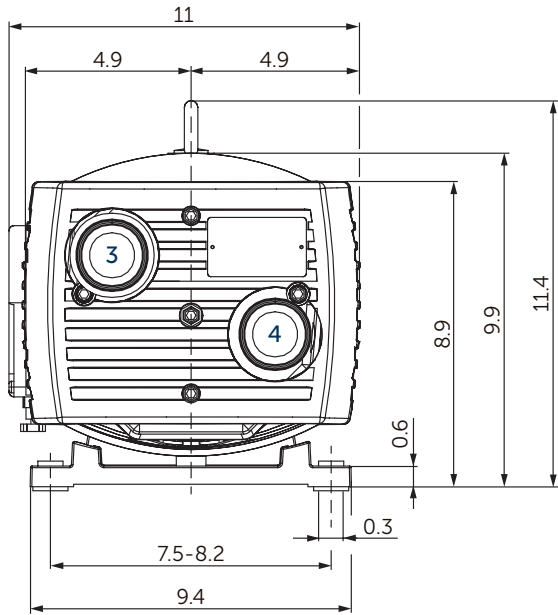
oil-free

air-cooled

---

**MAKE IT BECKER.**





- 1 Vacuum connection (G<sup>3</sup>/<sub>4</sub>)
- 2 Pressure connection (G<sup>3</sup>/<sub>4</sub>)
- 3 Vacuum regulating valve
- 4 Pressure regulating valve
- Including integrated suction air filter
- The illustration of the terminal box may vary.
- Dimensions in inch

Air rate		Pressure/vacuum		Emission sound pressure level <sup>1)</sup>		Weight with motor <sup>2)</sup>
50 Hz	60 Hz	PSIG	in. HgV	50 Hz	60 Hz	lbs
20.6	25.3	7.25	15	66	68	~84.9

<sup>1)</sup> According to DIN EN ISO 3744 (KpA = 3 dB(A)), 39.4 inch distance, at medium load, both connection sides piped

<sup>2)</sup> Depending on the motor

3~ Motors									
#	50 Hz				60 Hz				Version
	hp	V	rpm	A	hp	V	rpm	A	
01	1.7	190-255/ 330-440	1430	5.2-6.2/ 3.0-3.6	2.0	190-290/ 330-500	1680	6.9-5.7/ 4.0-3.3	IP54 • ISO F PTO bimetal 150°C

1~ Motor									
#	50 Hz				60 Hz				Version
	hp	V	rpm	A	hp	V	rpm	A	
01	1.5	230 ±10%	1350	7.6	1.5	230 ±10%	1620	7.3	IP54 • ISO F PTO bimetal 150°C 30 µF (400 V)

• Current consumption and rotation speed may vary. Tolerance in each case -1.5/+2%

Air rates • power consumptions • temperatures								
Pressure			Vacuum					
			0 in. HgV	50 Hz		60 Hz		15 in. HgV
			0 in. HgV	7.5 in. HgV	15 in. HgV	0 in. HgV	7.5 in. HgV	15 in. HgV
3.63 PSIG	Suction air rate	CFM	21.1	15.2	8.8	25.0	17.9	9.7
	Blast air rate	CFM	21.1	15.2	8.8	25.0	17.9	9.7
	Power consumption	hp	1.3	1.3	1.3	1.7	1.7	1.7
	Temperature compressed air	°F	154.4	170.6	194.0	168.8	183.2	213.8
7.25 PSIG	Suction air rate	CFM	20.1	14.1	7.9	24.2	17.2	7.9
	Blast air rate	CFM	20.1	14.1	7.9	24.2	17.2	7.9
	Power consumption	hp	1.5	1.5	1.6	1.9	1.9	2.0
	Temperature compressed air	°F	170.6	192.2	213.8	181.4	203.0	230.0

Reference data (atmosphere): 0 PSIG (in. HgV), 68°F  
 Tolerance: ±5%  
 Air temperature: 41°F ... 135°F

## **+** VARIANTS AND ACCESSORIES

- **T 4.40 DSK** with compressed air cooler, maximum 8.7 PSIG (18 in.HgV)<sup>1)</sup>
- With external suction filter<sup>1)</sup>
- Sound proof box SH 19<sup>1)</sup>



Example for an external suction filter



Sound proof box SH 19

<sup>1)</sup> See separate data sheet

- Possible combinations on request



**MAKE IT BECKER.**