

DATA SHEET

T 4.25 DV

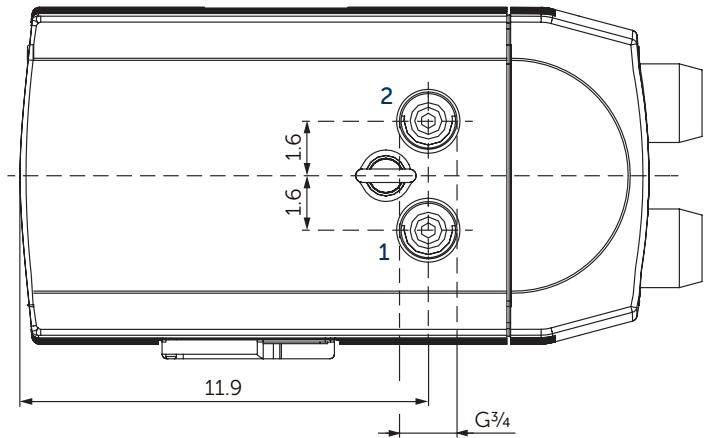
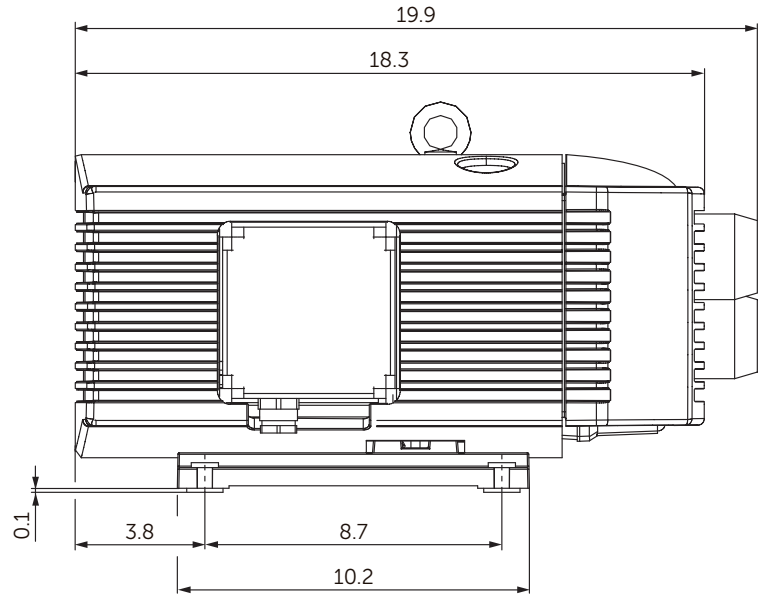
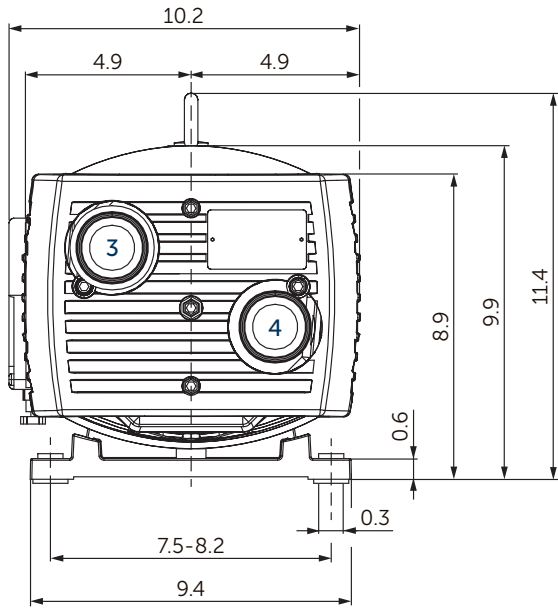
ROTARY VANE PRESSURE/VACUUM PUMPS

oil-free

air-cooled

MAKE IT BECKER.





- 1 Vacuum connection (G³/₄)
- 2 Pressure connection (G³/₄)
- 3 Vacuum regulating valve
- 4 Pressure regulating valve
- Including integrated suction air filter
- The illustration of the terminal box may vary.
- Dimensions in inch

Air rate		Pressure/vacuum		Emission sound pressure level ¹⁾		Weight with motor ²⁾
50 Hz	60 Hz	PSIG	in. HgV	50 Hz	60 Hz	lbs
14.7	17.6	7.25	15	69	69	≈57.3

¹⁾ According to DIN EN ISO 3744 (KpA = 3 dB(A)), 39.4 inch distance, at medium load, both connection sides piped

²⁾ Depending on the motor

3~ Motors									
#	50 Hz				60 Hz				Version
	hp	V	rpm	A	hp	V	rpm	A	
01	1.0	175–260/ 300–450	1430	3.90–4.85/ 2.25–2.80	1.2	202–300/ 350–520	1690	1.65–4.25/ 2.70–2.45	IP54 • ISO F

1~ Motor									
#	50 Hz				60 Hz				Version
	hp	V	rpm	A	hp	V	rpm	A	
01	1.1	230 ±10%	1350	6.4	1.3	230 ±10%	1600	7.2	IP54 • ISO F 25 µF (450 V)

- Current consumption and rotation speed may vary. Tolerance in each case -1.5/+2%

Air rates • power consumptions • temperatures								
Pressure			Vacuum					
			0 in. HgV	50 Hz 7.5 in. HgV	15 in. HgV	60 Hz 0 in. HgV	7.5 in. HgV	15 in. HgV
3.63 PSIG	Suction air rate	CFM	13.9	9.7	5.4	16.6	11.8	6.7
	Blast air rate	CFM	13.9	9.7	5.4	16.6	11.8	6.7
	Power consumption	hp	0.8	0.8	0.9	0.9	0.9	0.9
	Temperature compressed air	°F	136.4	150.8	168.8	143.6	158.0	177.8
7.25 PSIG	Suction air rate	CFM	13.0	8.8	4.6	15.8	10.8	6.0
	Blast air rate	CFM	13.0	8.8	4.6	15.8	10.8	6.0
	Power consumption	hp	0.9	1.0	1.0	1.0	1.1	1.2
	Temperature compressed air	°F	149.0	168.8	185.0	158.0	177.8	195.8

Reference data (atmosphere): 0 PSIG (in. HgV), 68°F

Tolerance: ±5%

Air temperature: 41°F ... 135°F

+ VARIANTS AND ACCESSORIES

- **T 4.25 DSK** with compressed air cooler, maximum 8.7 PSIG (18 in.HgV)¹⁾
- With external suction filter¹⁾
- Sound proof box SH 19¹⁾



Example for an external suction filter



Sound proof box SH 19

¹⁾ See separate data sheet

- Possible combinations on request



MAKE IT BECKER.

