

DATA SHEET

T 4.16 DV

ROTARY VANE

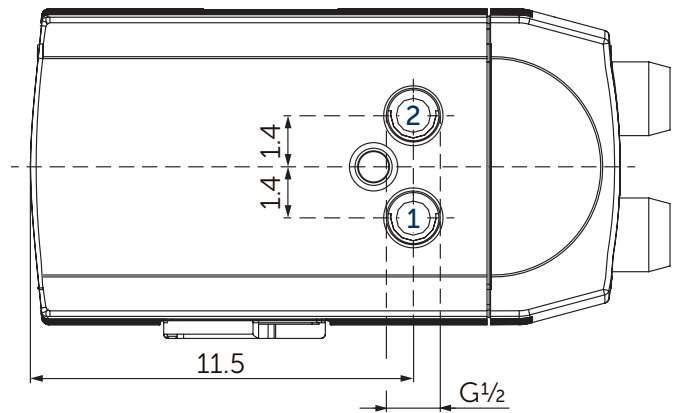
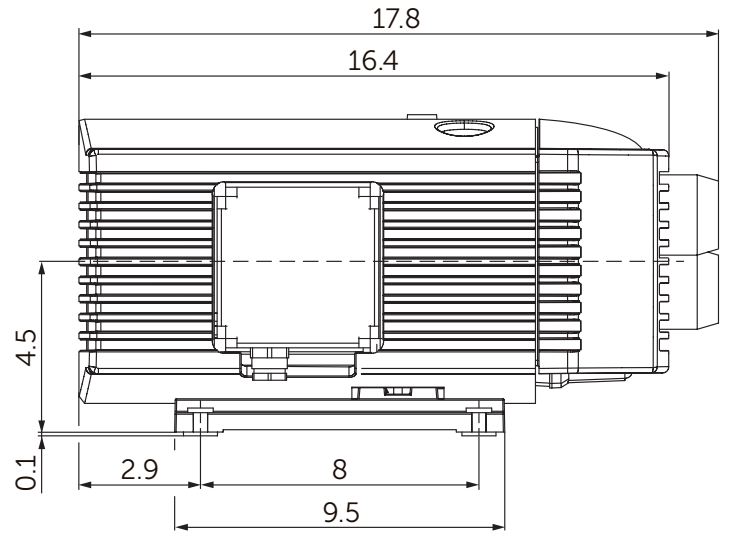
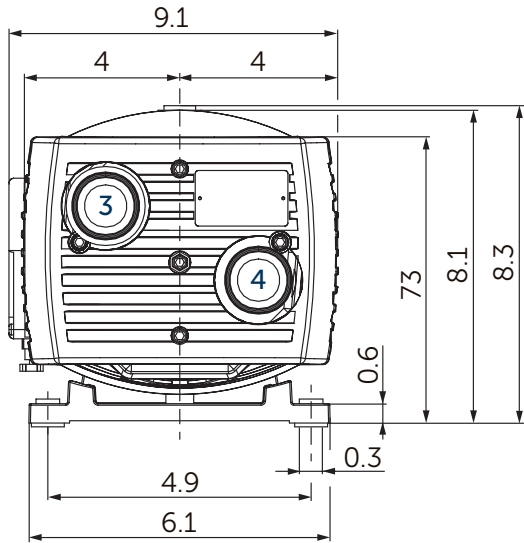
PRESSURE/VACUUM PUMPS

oil-free

air-cooled

MAKE IT BECKER.





- 1 Vacuum connection (G¹/₂)
- 2 Pressure connection (G¹/₂)
- 3 Vacuum regulating valve
- 4 Pressure regulating valve
- Including integrated suction air filter
- The illustration of the terminal box may vary.
- Dimensions in inch

Air rate		Pressure/vacuum		Emission sound pressure level ¹⁾		Weight with motor ²⁾
50 Hz	60 Hz	PSIG	in. HgV	50 Hz	60 Hz	lbs
9.4	11.8	7.25	15	61	63	~52.9

¹⁾ According to DIN EN ISO 3744 (KpA = 3 dB(A)), 39.4 inch distance, at medium load, both connection sides piped

²⁾ Depending on the motor

3~ Motors											
#	50 Hz				60 Hz				Version		
	hp	V	rpm	A	hp	V	rpm	A			
01	0.7	Δ230/Y400	IE2	1445	3.10–1.79	Δ265/Y460	IE2	1740	3.05–1.76	IP54 • ISO F PTO (bimetal) 150°C	
						Δ230/Y400	IE2	1715	3.03–1.75		
						Δ208/Y360	IE2	1690	3.14–1.81		
02	0.7	175–260/ 300–450	–	1420	3.8/2.2	0.9	202–300/ 350–520	–	1700	3.9/2.25	IP54 • ISO F

1~ Motor										
#	50 Hz				60 Hz				Version	
	hp	V	rpm	A	hp	V	rpm	A		
01	0.7	230 ±10%	1360	4.6	0.9	230 ±10%	1600	5.2	IP54 • ISO F 20 µF (450 V)	
02					0.9	115 ±6%	1630	9.5	UL(E123782) IP54 • ISO F 80 µF (240 V)	

• Current consumption and rotation speed may vary. Tolerance in each case -1.5/+2%

Air rates • power consumptions • temperatures								
Pressure			Vacuum					
			50 Hz			60 Hz		
			0 in. HgV	7.5 in. HgV	15 in. HgV	0 in. HgV	7.5 in. HgV	15 in. HgV
3.63 PSIG	Suction air rate	CFM	9.1	6.5	3.8	10.6	7.8	4.7
	Blast air rate	CFM	9.1	6.5	3.8	10.6	7.8	4.7
	Power consumption	hp	0.6	0.6	0.6	0.7	0.8	0.7
	Temperature compressed air	°F	140.0	150.8	165.2	154.4	163.4	177.8
7.25 PSIG	Suction air rate	CFM	8.8	5.9	3.5	10.5	7.2	4.3
	Blast air rate	CFM	8.8	5.9	3.5	10.5	7.2	4.3
	Power consumption	hp	0.6	0.6	0.7	0.8	0.8	0.8
	Temperature compressed air	°F	156.2	170.6	181.4	168.8	181.4	195.8

Reference data (atmosphere): 0 PSIG (in. HgV), 68°F

Tolerance: ±5%

Air temperature: 41°F ... 135°F

+ VARIANTS AND ACCESSORIES

- With external suction filter¹⁾
- Sound proof box SH 20¹⁾



Example for an external suction filter



Sound proof box SH 20

¹⁾ See separate data sheet

- Possible combinations on request



MAKE IT BECKER.