

DATA SHEET

SV 500/2

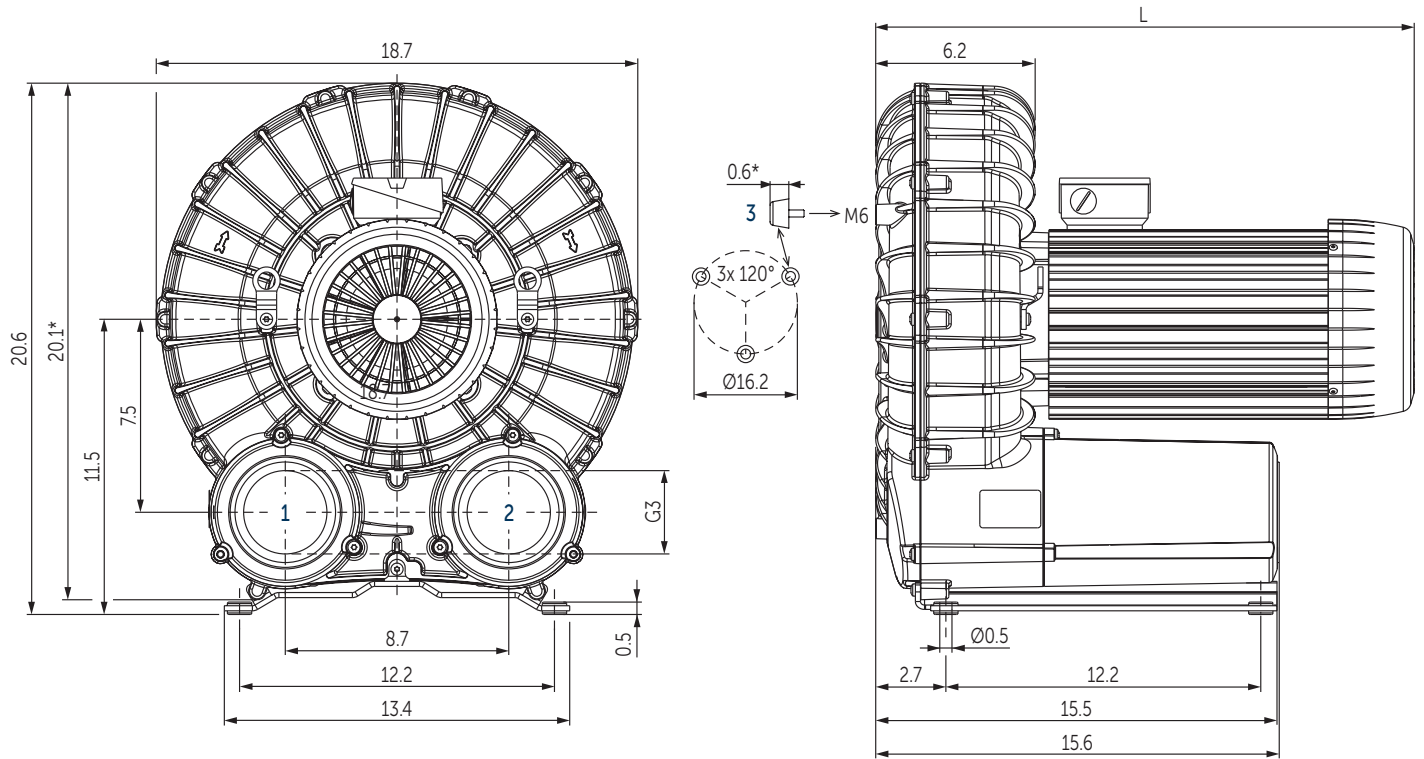
SIDE CHANNEL VACUUM PUMPS

double stage

air-cooled

MAKE IT BECKER.





- 1 Vacuum connection (G3)
- 2 Pressure connection (G3)
- 3 Rubber buffer position (optional)
- * Device dimensions without pedestal under the silencer, with rubber buffers on the enclosure cover
- The motor illustration may vary
- Dimensions in inch

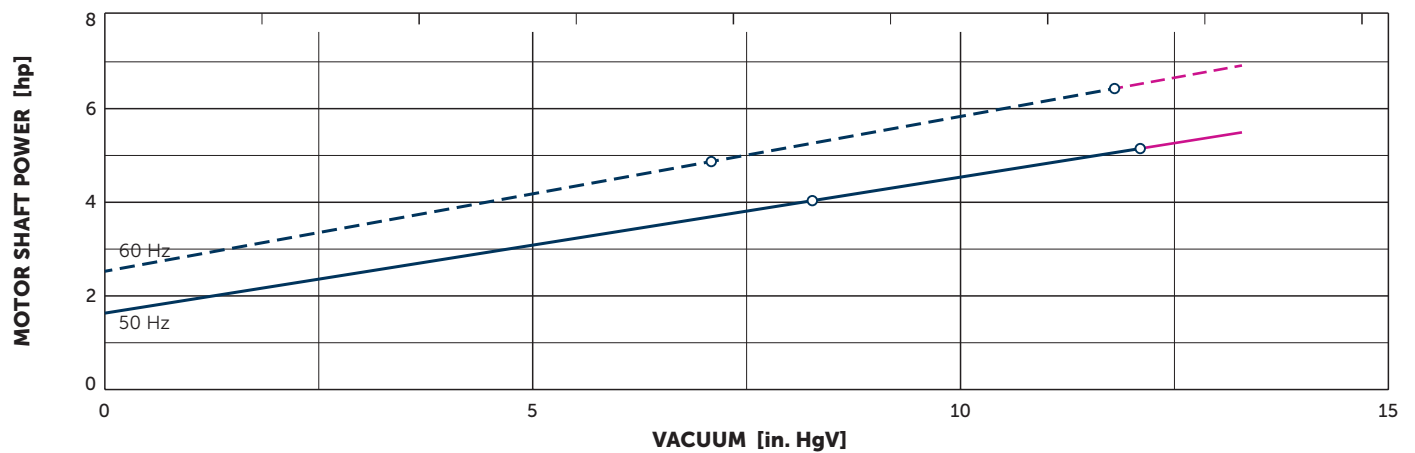
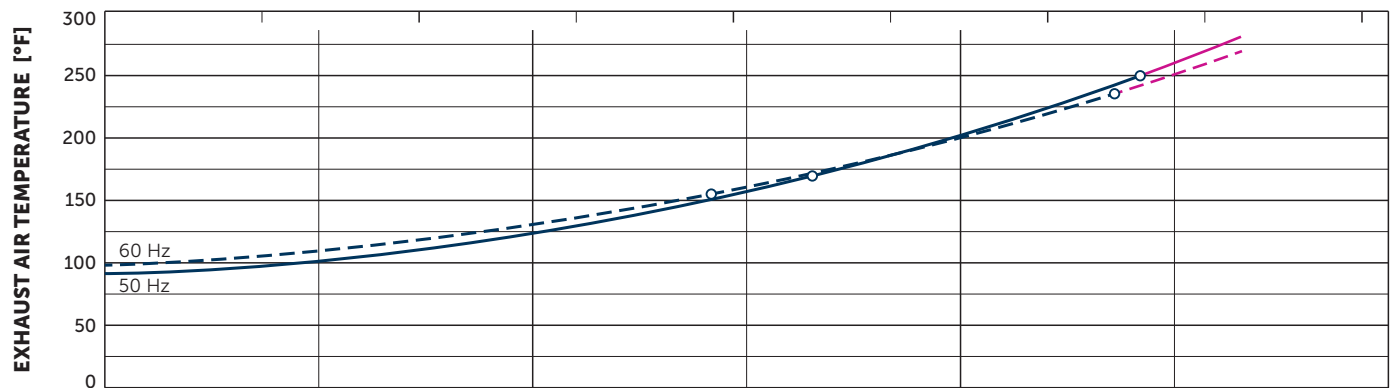
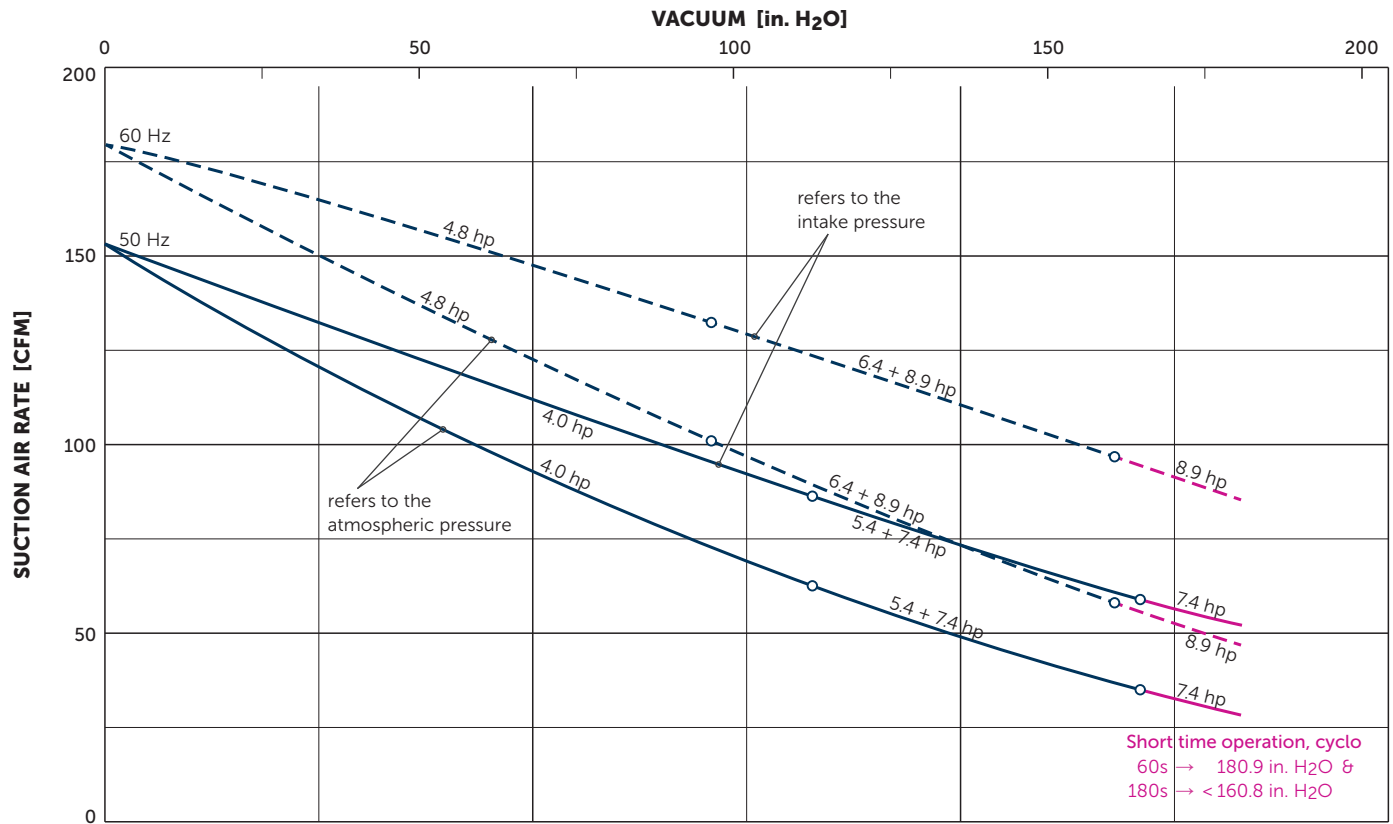
| Suction air rate | | Vacuum | | | | Motors | | Emission sound pressure level ¹⁾ | | Weight with motor | L |
|------------------|-------|--------------------------------|--------------------------------|------------------------------|------------------------------|--------|-------|---|--------------------------------------|-------------------|------|
| CFM | | in. H ₂ O | | in. HgV | | hp | | dB(A) | | lbs | inch |
| 50 Hz | 60 Hz | 50 Hz | 60 Hz | 50 Hz | 60 Hz | 50 Hz | 60 Hz | 50 Hz | 60 Hz | | |
| 153 | 179 | 112.6 | 96.5 | 8.3 | 7.1 | 4.0 | 4.8 | | | 127.9 | 19.1 |
| 153 | 179 | 164.8 | 160.8 | 12.1 | 11.8 | 5.4 | 6.4 | 68.9 (106.6 in. H ₂ O) | 74.7 (92.5 in. H ₂ O) | 136–137.8 | 19.5 |
| 153 | 179 | 164.8 (180.9) ²⁾ | 160.8 (180.9) ²⁾ | 12.1 (13.5) ²⁾ | 11.8 (13.5) ²⁾ | 7.4 | 8.9 | 69.5 (112.6 in. H ₂ O) | 70.4 (118.6 in. H ₂ O) | 148.8 | 20.9 |

¹⁾ According to DIN EN ISO 11203, accuracy class of measurement: class 2, extended measurement uncertainty: 3 dB

²⁾ Short time operation, cycle: 60s → 180.9 in. H₂O and 180s → < 160.8 in. H₂O
39.4 inch distance, at medium load, both connection sides piped

| 3~ Motors | | | | | | | | | | | |
|-----------|-------|-----------|-----|------|-----------|-------|---------------|-----|------|----------------|---|
| # | 50 Hz | | | | | 60 Hz | | | | | Version |
| | hp | V | IE3 | rpm | A | hp | V | IE3 | rpm | A | |
| 01 | 4.0 | Δ230/Y400 | IE3 | 2940 | 10.9/6.3 | 4.8 | Δ265/Y460 | IE3 | 3530 | 10.8/6.25 | UL • CSA IP55 • ISO F • bimetal |
| | | | | | | | Δ230/Y400 | IE3 | 3505 | 11.5/6.6 | |
| 02 | | | | | | 4.8 | YY230/Y460 | IE3 | 3525 | 12.0/6.0 | UL • CSA • CC IP55 • ISO F • bimetal |
| | | | | | | | YY208 | IE3 | 3505 | 12.7 | |
| 03 | 4.0 | Δ200/Y350 | IE3 | 2940 | 12.6/7.3 | 4.8 | Δ220/Y380–400 | IE3 | 3530 | 12.6/7.3–7.2 | IP55 • ISO F • bimetal |
| | | | | | | | Δ200/Y350 | IE3 | 3505 | 13.2/7.55 | |
| 04 | | | | | | 4.8 | Δ400/Y690 | IE3 | 3530 | 7.2/4.2 | UL • CSA IP55 • ISO F • bimetal |
| 05 | 5.4 | Δ230/Y400 | IE3 | 2930 | 14.6/8.4 | 6.4 | Δ265/Y460 | IE3 | 3520 | 14.3/8.25 | UL • CSA IP55 • ISO F • bimetal |
| | | | | | | | Δ230/Y400 | IE3 | 3490 | 15.4/8.85 | |
| 06 | | | | | | 6.4 | YY230/Y460 | IE3 | 3530 | 15.5/7.7 | UL • CSA • CC IP55 • ISO F • bimetal |
| | | | | | | | YY208 | IE3 | 3500 | 16.6 | |
| 07 | 5.4 | Δ200/Y350 | IE3 | 2930 | 16.6/9.6 | 6.4 | Δ220/Y380–400 | IE3 | 3520 | 16.6/9.6–9.45 | IP55 • ISO F • bimetal |
| | | | | | | | Δ200/Y350 | IE3 | 3490 | 17.7/10.1 | |
| 08 | | | | | | 6.4 | Δ400 | IE3 | 3530 | 9.0 | UL • CSA • CC IP55 • ISO F • bimetal |
| 09 | 7.4 | Δ400/Y690 | IE3 | 2930 | 11.9/6.9 | 8.9 | Δ460 | IE3 | 3520 | 11.5 | UL • CSA IP55 • ISO F • bimetal |
| | | | | | | 7.4 | Δ400/Y690 | IE3 | 3520 | 10.2/5.9 | |
| 10 | | | | | | 8.9 | Δ230/Y400 | IE3 | 3496 | 20.6/11.9 | UL • CSA • CC IP55 • ISO F • bimetal |
| | | | | | | | Δ265/Y460 | IE3 | 3528 | 19.9/11.5 | |
| | | | | | | | Δ208 | | 3470 | 22.5 | |
| 11 | 7.4 | Δ200/Y350 | IE3 | 2935 | 26.9/15.4 | 8.9 | Δ220/Y380–400 | IE3 | 3530 | 24.0/13.9–14.3 | IP55 • ISO F • bimetal |
| | | | | | | | Δ200/Y350 | IE3 | 3500 | 24.7/14.1 | |
| 12 | | | | | | 8.9 | Δ400/Y690 | IE3 | 3520 | 13.2/7.65 | UL • CSA IP55 • ISO F • bimetal |

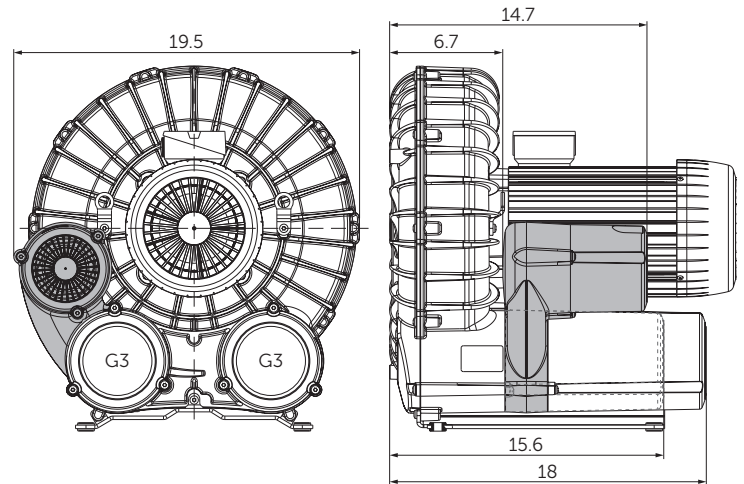
• Current consumption and rotation speed may vary. Tolerance in each case -1.5/+2%



Reference data (atmosphere): 0 in. HgV, 68°F; Tolerance: ±10%
Temperature: Ambient air 14°F ... 104°F, Inlet air 32°F ... 104°F

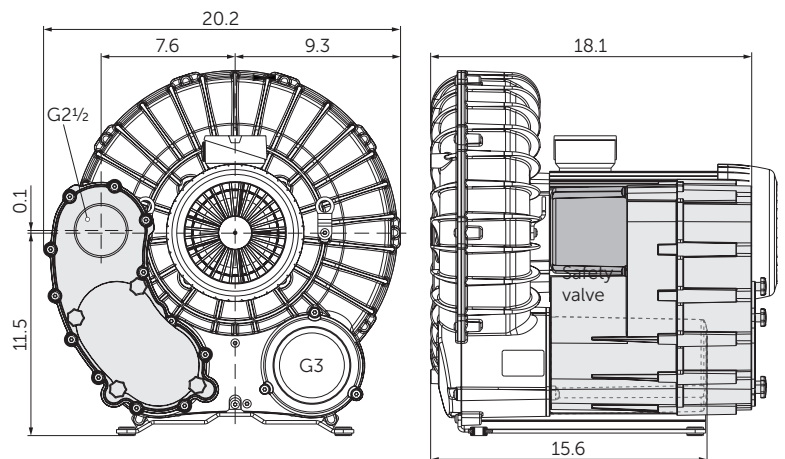
+ VARIANTS AND ACCESSORIES

VACUUM SAFETY VALVE



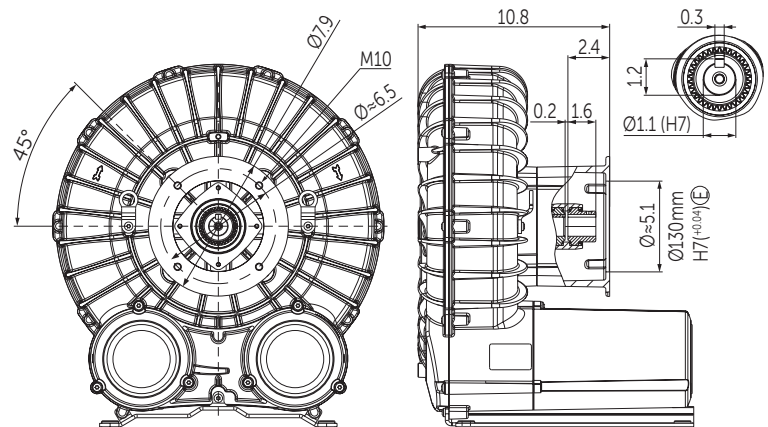
SUCTION FILTER

- Vacuum-sealed filter housing
- Paper or polyester insert
- Can be combined with vacuum safety valve



WITHOUT MOTOR

- With coupling for flange motor
- The motor must be supported!



OTHER VARIANTS AND ACCESSORIES

- External suction filter
- With increased corrosion protection
- Sound proof box SH 18¹⁾

¹⁾ See separate data sheet
 • Dimensions in inch – For other dimensions, see the figure on page 2.
 • Possible combinations on request



Sound proof box SH 18



MAKE IT BECKER.