

DATA SHEET

**SV 201/2**

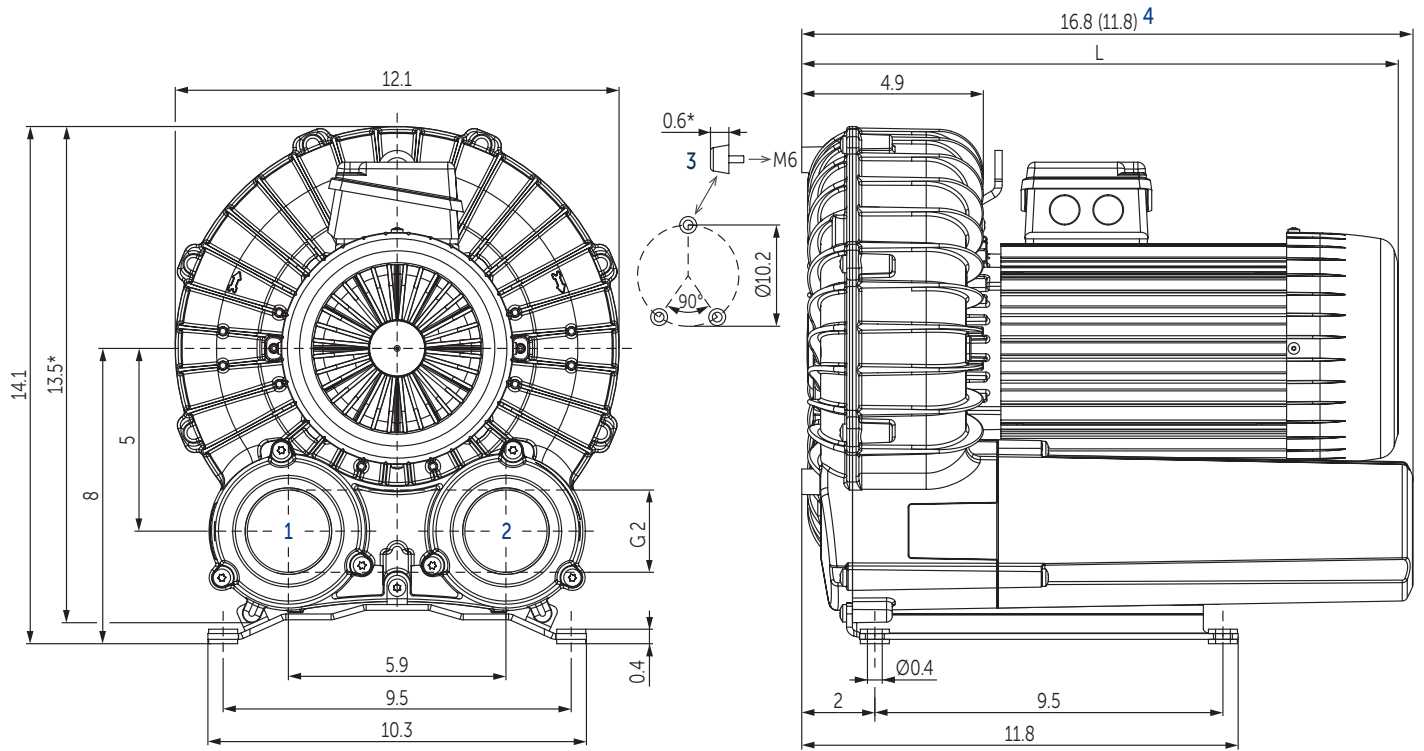
# **SIDE CHANNEL BLOWERS**

double stage  
air-cooled

---

**MAKE IT BECKER.**





- 1 Vacuum connection (G2)
- 2 Pressure connection (G2)
- 3 Optional vibration dampers (rubber buffer) for vertical installation
- 4 Optional with shorter silencers
- \* Device dimensions without pedestal under the silencer, with rubber buffers on the enclosure cover
- The motor illustration may vary
- Dimensions in inch

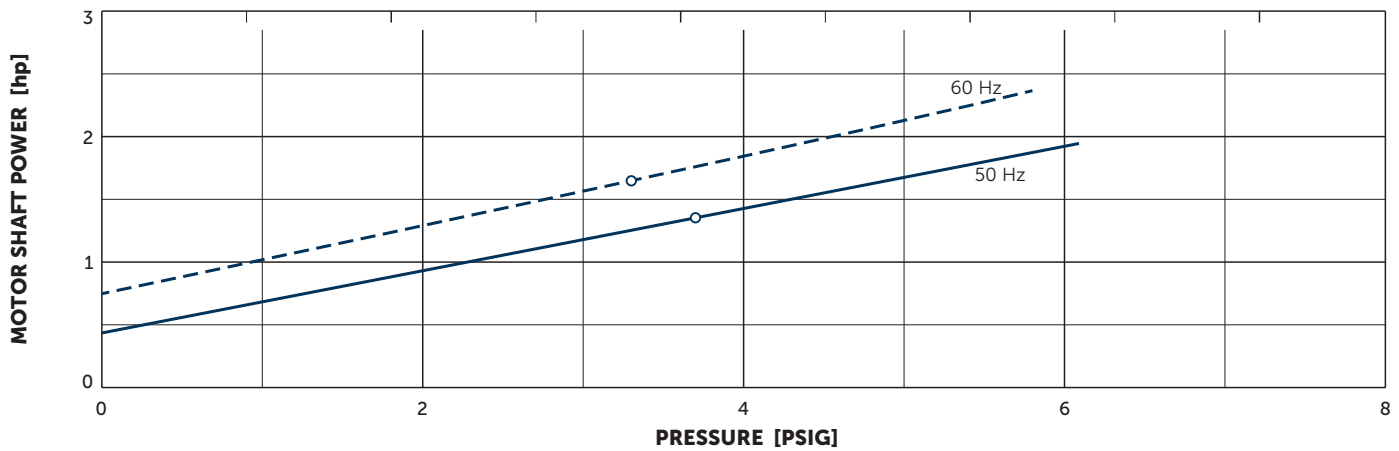
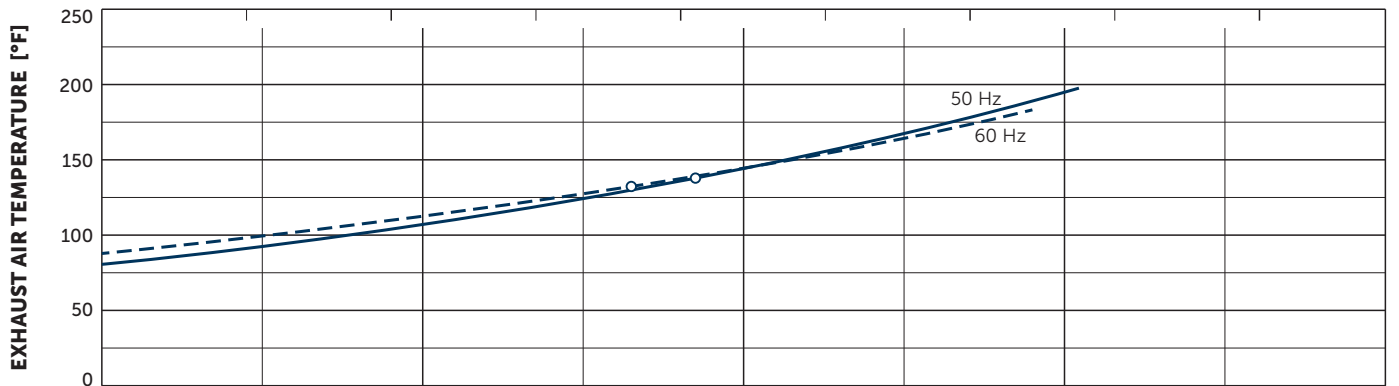
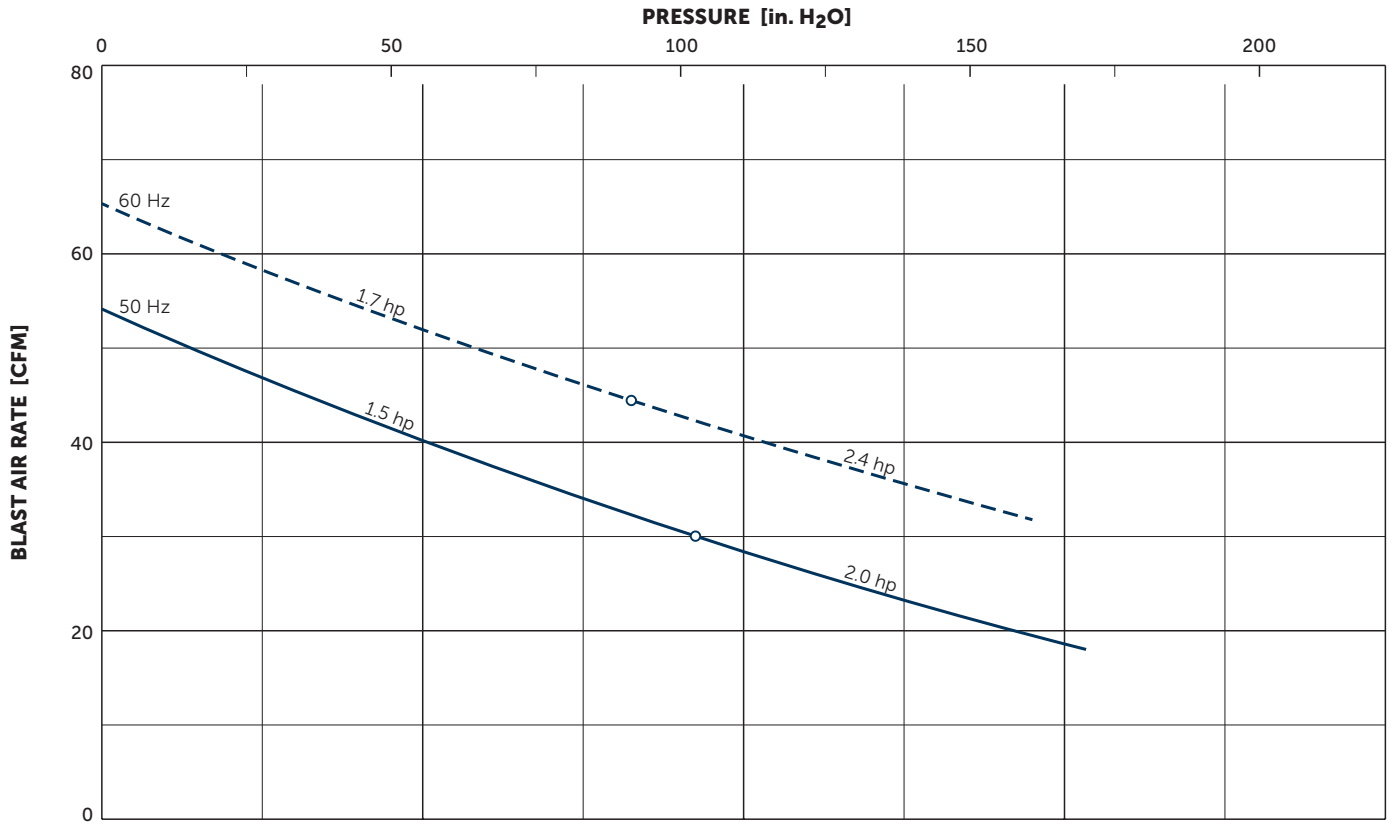
Suction air rate		Pressure				Motors		Emission sound pressure level <sup>1)</sup>		Weight with motor	L
CFM		in. H <sub>2</sub> O		PSIG		hp		dB(A)		lbs	inch
50 Hz	60 Hz	50 Hz	60 Hz	50 Hz	60 Hz	50 Hz	60 Hz	50 Hz	60 Hz		
52	64	104.5	92.4	3.7	3.3	1.5	1.7	66.9 (118.6 in. H <sub>2</sub> O)	70.0 (110.5 in. H <sub>2</sub> O)	56.5	15.4
52	64	168.8	160.8	6.1	5.8	2.0	2.4	66.9 (118.6 in. H <sub>2</sub> O)	70.0 (110.5 in. H <sub>2</sub> O)	63.0	17.0

<sup>1)</sup> According to DIN EN ISO 11203, accuracy class of measurement: class 2, extended measurement uncertainty: 3 dB 39.4 inch distance, at medium load, both connection sides piped

3~ Motors											
#	50 Hz					60 Hz				Version	
	hp	V	rpm	A	hp	V	rpm	A			
01	1.5	Δ230/Y400	IE3	2870	4.3/2.5	1.7	Δ265/Y460	IE3	3460	4.3/2.5	UL • CSA IP55 • ISO F • bimetal
							Δ230/Y400		3395	4.7/2.7	
02						1.7	YY230/Y460	IE3	3465	4.8/2.4	UL • CSA IP55 • ISO F • bimetal
							YY208/Y –		–	3430	
03	1.5	Δ200/Y350	IE3	2875	5.0/2.9	1.7	Δ220/Y380–400	IE3	3462	5.0/2.9–3.0	IP55 • ISO F • bimetal
							Δ200/Y350		3405	5.2/3.0	
04	2.0	Δ230/Y400	IE3	2900	6.6/3.8	2.4	Δ265/Y460	IE3	3490	6.4/3.7	UL • CSA IP55 • ISO F • bimetal
							Δ230/Y400		3450	6.5/3.8	
05						2.4	YY230/Y460	IE3	3490	6.9/3.45	UL(E235514) • CSA • CC(329B) IP55 • ISO F • bimetal
							YY208/Y –		3470	6.85/ –	
06	2.0	Δ200/Y350	IE3	2905	7.4/4.3	2.4	Δ220/Y380–400	IE3	3480	7.2/4.3–4.2	IP55 • ISO F • bimetal
							Δ200/Y350		3450	7.2/4.2	

1~ Motors									
#	50 Hz				60 Hz				Version
	hp	V	rpm	A	hp	V	rpm	A	
07	1.5	230	2855	6.7	1.7	230	3375	7.9	UL • CSA IP55 • ISO F • bimetal
08	2.0	230	2860	8.9	2.4	230	3350	11.0	UL • CSA IP55 • ISO F • bimetal

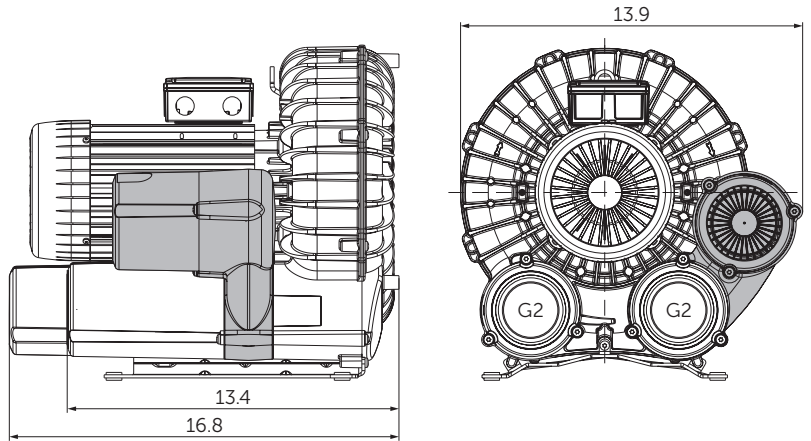
• Current consumption and rotation speed may vary. Tolerance in each case -1.5/+2%



Reference data (atmosphere): 0 in. HgV, 68°F; Tolerance: ±10%  
 Temperature: Ambient air 14°F ... 104°F, Inlet air 32°F ... 104°F

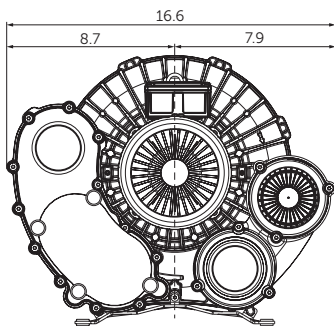
**+** VARIANTS AND ACCESSORIES

**PRESSURE SAFETY VALVE**

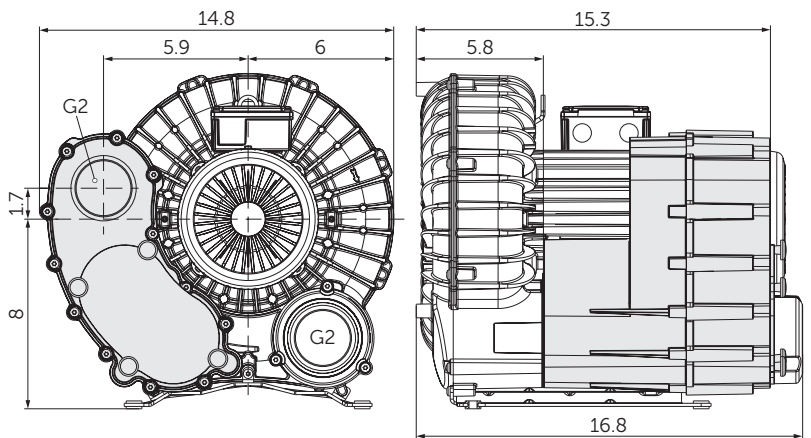


**SUCTION FILTER**

- Paper or polyester insert



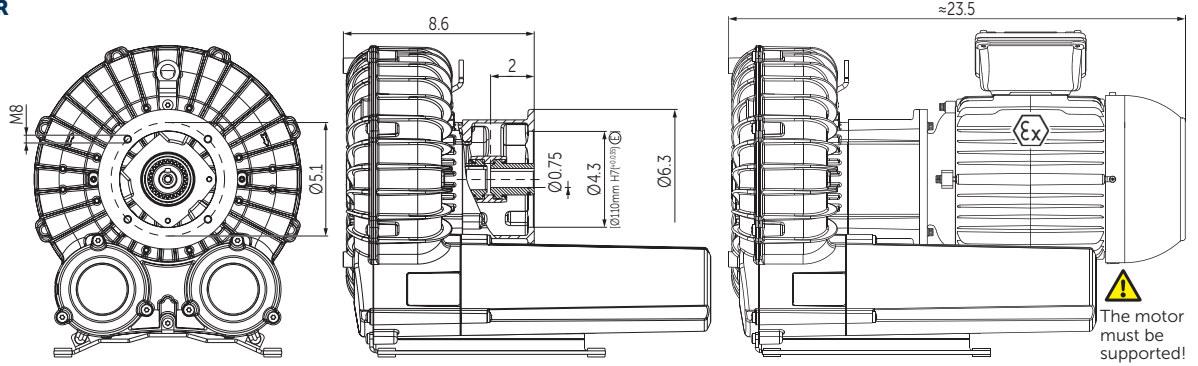
Suction filter & pressure safety valve



<sup>1)</sup> See separate data sheet  
 • Dimensions in inch – For other dimensions, see the figure on page 2.  
 • Possible combinations on request

**WITHOUT MOTOR OR WITH ATEX MOTOR**

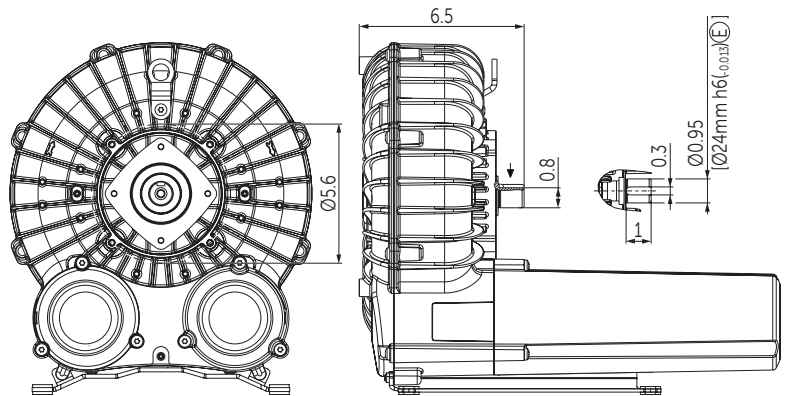
- With coupling for flange motor
- The motor must be supported!



ATEX Motor – 60 Hz	hp	V	rpm	A	Version
Class 1 Div 2 Groups C&D II 1 G ia IIB	3.0	YY230/Y460 YY208/Y –	IE3 3480	7.70/3.85 8.51	UL • IP55 • ISO F • PTC 155°C (311°F)

**WITHOUT MOTOR**

- With free shaft end
- Max. 5600 rpm with V-belt pulley
- Possible performance data see VARI AIR SV 201/2<sup>1)</sup>



**OTHER VARIANTS AND ACCESSORIES**

- With increased corrosion protection
- VARI AIR SV 201/2 with frequency inverter VAU4/4 for 100 Hz operation<sup>1)</sup>
- Sound proof box SH 18<sup>1)</sup>



Sound proof box SH 18

<sup>1)</sup> See separate data sheet  
 ▪ Dimensions in inch – For other dimensions, see the figure on page 2.  
 ▪ Possible combinations on request



**MAKE IT BECKER.**