

DATA SHEET

SV 201/1

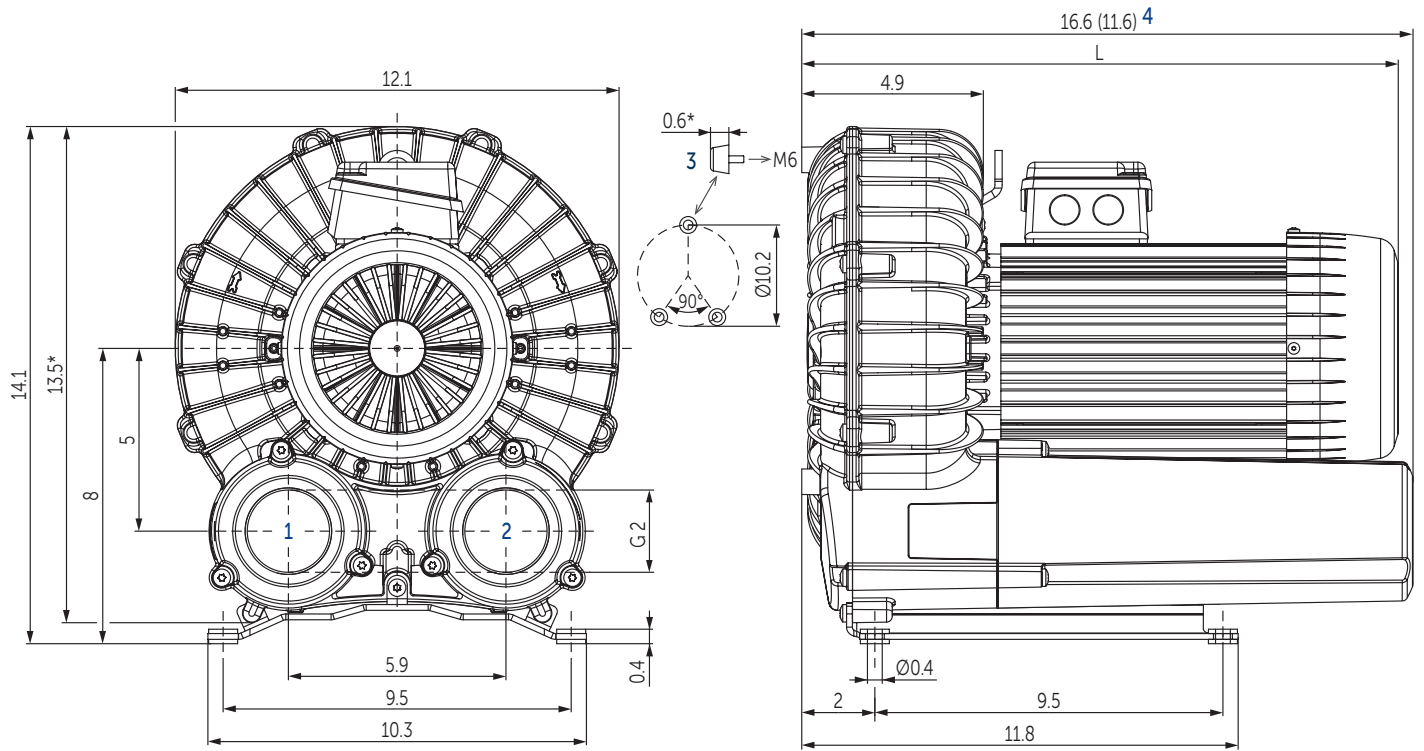
SIDE CHANNEL VACUUM PUMPS

single stage

air-cooled

MAKE IT BECKER.





- 1 Vacuum connection (G2)
- 2 Pressure connection (G2)
- 3 Optional vibration dampers (rubber buffer) for vertical installation
- 4 Optional with shorter silencers
- * Device dimensions without pedestal under the silencer, with rubber buffers on the enclosure cover
- The motor illustration may vary
- Dimensions in inch

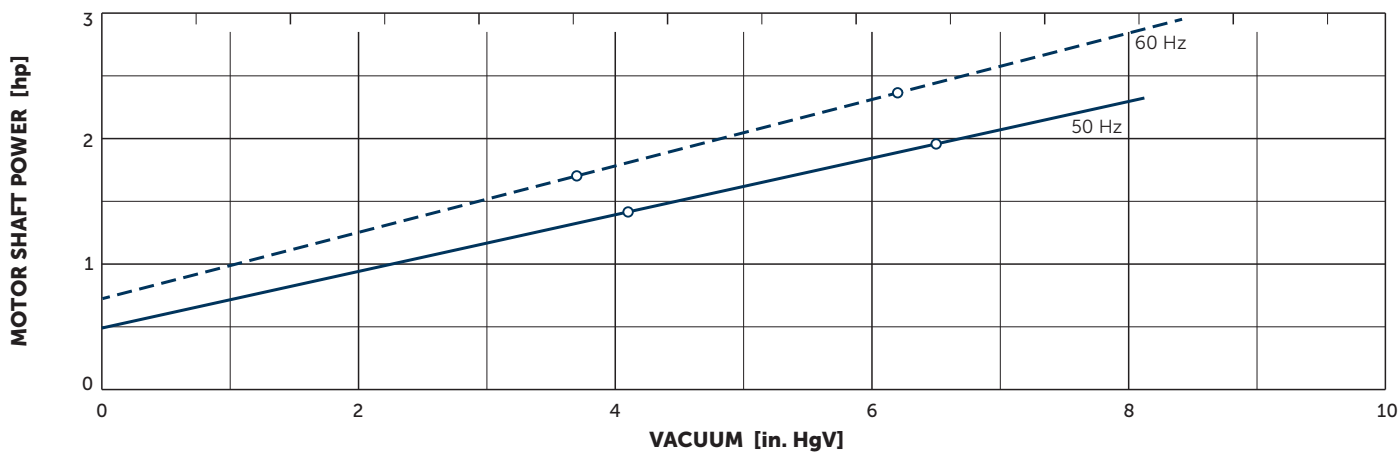
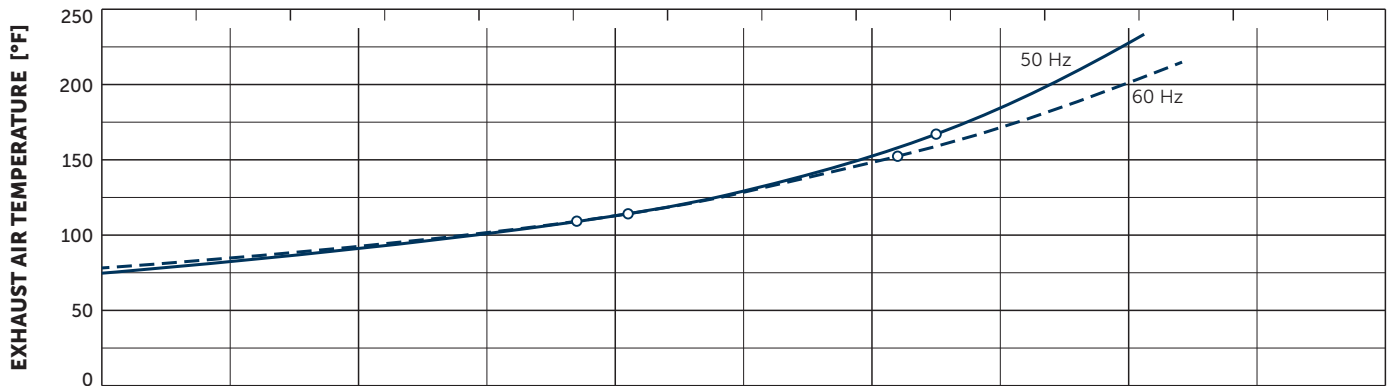
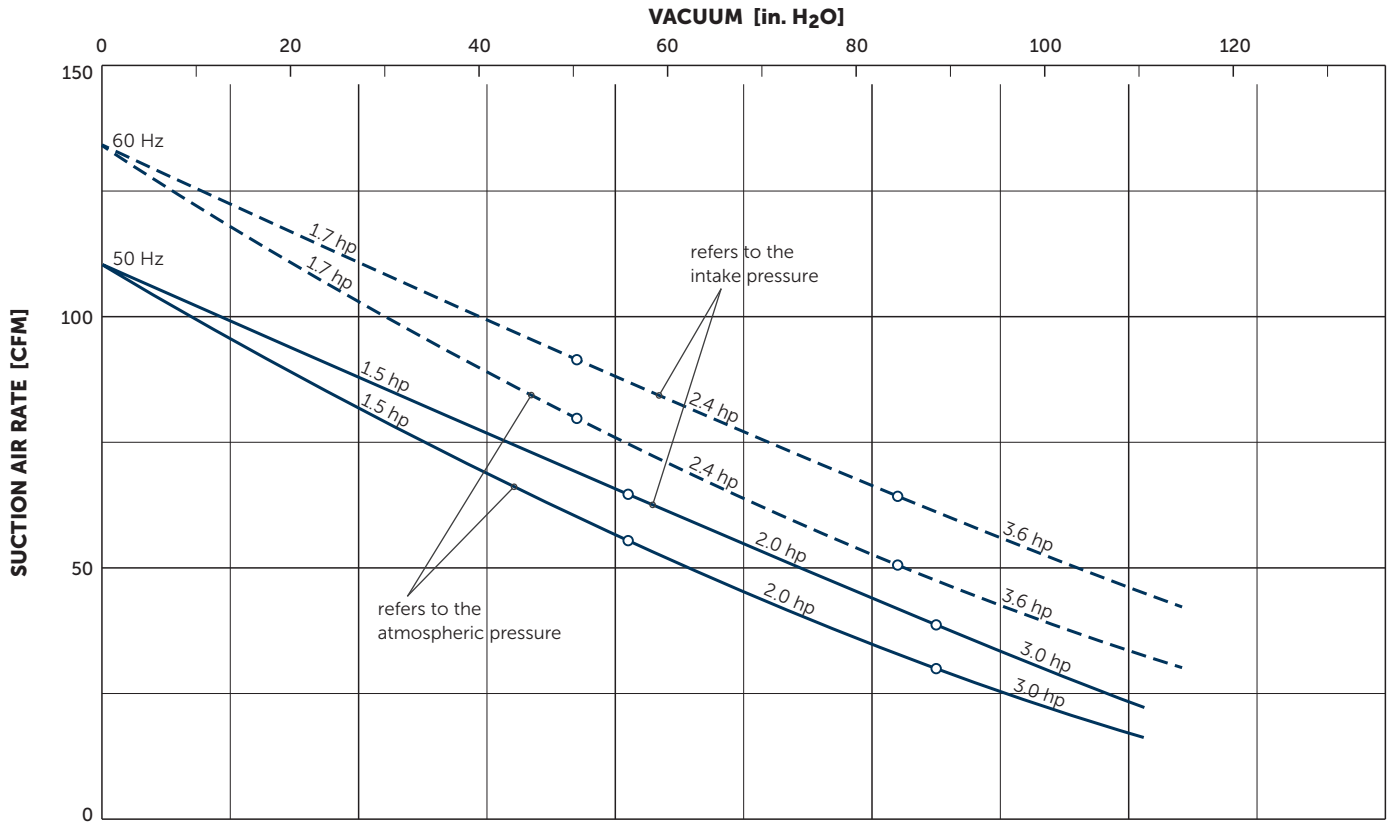
Suction air rate		Vacuum				Motors		Emission sound pressure level ¹⁾		Weight with motor	L
CFM		in. H ₂ O		in. HgV		hp		dB(A)		lbs	inch
50 Hz	60 Hz	50 Hz	60 Hz	50 Hz	60 Hz	50 Hz	60 Hz	50 Hz	60 Hz		
111	135	56.2	50.2	4.1	3.7	1.5	1.7	65.2 (38.2 in. H ₂ O)	68.3 (34.2 in. H ₂ O)	56.5	15.4
111	135	88.4	84.4	6.5	6.2	2.0	2.4	66.5 (62.3 in. H ₂ O)	68.2 (58.3 in. H ₂ O)	63.0	17.0
111	135	110.5	114.5	8.2	8.5	3.0	3.6	66.3 (74.4 in. H ₂ O)		72.0	17.8

¹⁾ According to DIN EN ISO 11203, accuracy class of measurement: class 2, extended measurement uncertainty: 3 dB
39.4 inch distance, at medium load, both connection sides piped

3~ Motors											
#	50 Hz					60 Hz				Version	
	hp	V	IE3	rpm	A	hp	V	rpm	A		
01	1.5	Δ230/Y400	IE3	2870	4.3/2.5	1.7	Δ265/Y460 Δ230/Y400	IE3 3395	3460 4.7/2.7	4.3/2.5	UL • CSA IP55 • ISO F • bimetal
02						1.7	YY230/Y460 YY208/Y –	IE3 –	3465 3430	4.8/2.4 5.0/ –	UL • CSA IP55 • ISO F • bimetal
03	1.5	Δ200/Y350	IE3	2875	5.0/2.9	1.7	Δ220/Y380–400 Δ200/Y350	IE3 3405	3462 5.2/3.0	5.0/2.9–3.0	IP55 • ISO F • bimetal
04	2.0	Δ230/Y400	IE3	2900	6.6/3.8	2.4	Δ265/Y460 Δ230/Y400	IE3 3450	3490 6.5/3.8	6.4/3.7	UL • CSA IP55 • ISO F • bimetal
05						2.4	YY230/Y460 YY208/Y –	IE3 3470	3490 6.85/ –	6.9/3.45	UL(E235514) • CSA • CC(329B) IP55 • ISO F • bimetal
06	2.0	Δ200/Y350	IE3	2905	7.4/4.3	2.4	Δ220/Y380–400 Δ200/Y350	IE3 3450	3480 7.2/4.2	7.2/4.3–4.2	IP55 • ISO F • bimetal
07	3.0	Δ230/Y400	IE3	2910	7.7/4.45	3.6	Δ265/Y460 Δ230/Y400	IE3 3460	3510 8.3/4.6	7.6/4.4	UL • CSA IP55 • ISO F • bimetal
08						3.6	Δ230/Y460 Δ208/Y –	IE3 3460	3510 9.2/ –	8.6/4.3	UL • CSA IP55 • ISO F • bimetal
09	3.0	Δ200/Y350		2920	9.0/5.1	3.6	Δ220/Y380–400 Δ200/Y350	IE3 3480	3500 9.4/5.4	8.9/5.2	IP55 • ISO F • bimetal

1~ Motors											
#	50 Hz				60 Hz				Version		
	hp	V	rpm	A	hp	V	rpm	A			
10	1.5	230	2855	6.7	1.7	230	3375	7.9	UL • CSA IP55 • ISO F • bimetal		
11	2.0	230	2860	8.9	2.4	230	3350	11.0	UL • CSA IP55 • ISO F • bimetal		

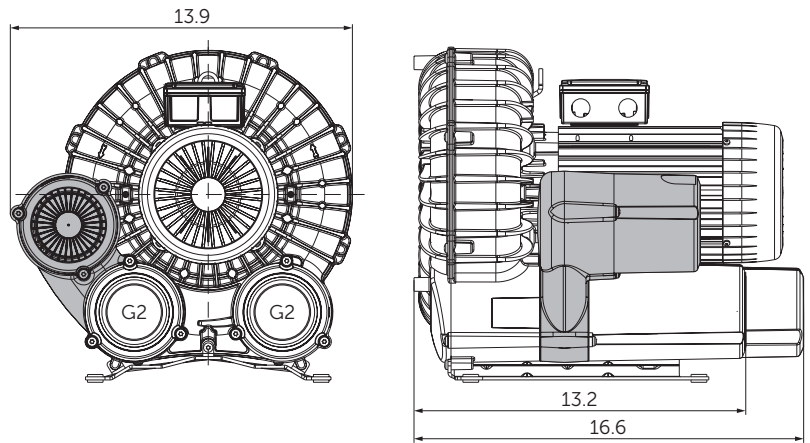
• Current consumption and rotation speed may vary. Tolerance in each case -1.5/+2%



Reference data (atmosphere): 0 in. HgV, 68°F; Tolerance: ±10%
 Temperature: Ambient air 14°F ... 104°F, Inlet air 32°F ... 104°F

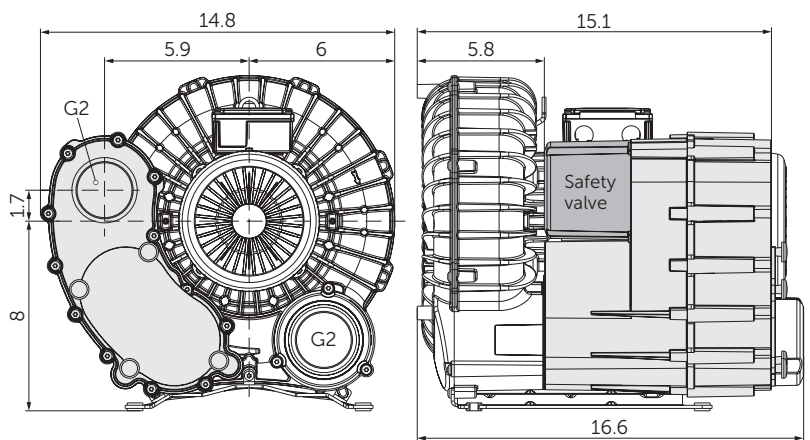
+ VARIANTS AND ACCESSORIES

VACUUM SAFETY VALVE



SUCTION FILTER

- Vacuum-sealed filter housing
- Paper or polyester insert
- Can be combined with vacuum safety valve

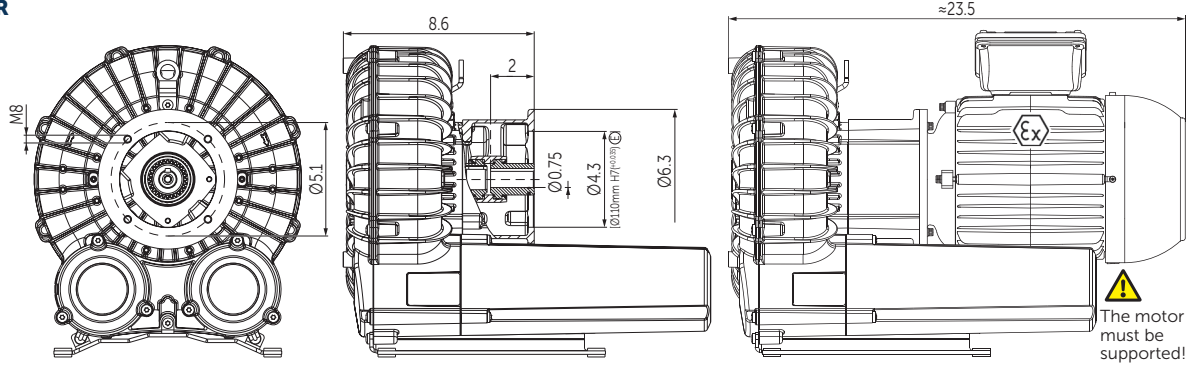


¹⁾ See separate data sheet

- Dimensions in inch – For other dimensions, see the figure on page 2.
- Possible combinations on request

WITHOUT MOTOR OR WITH ATEX MOTOR

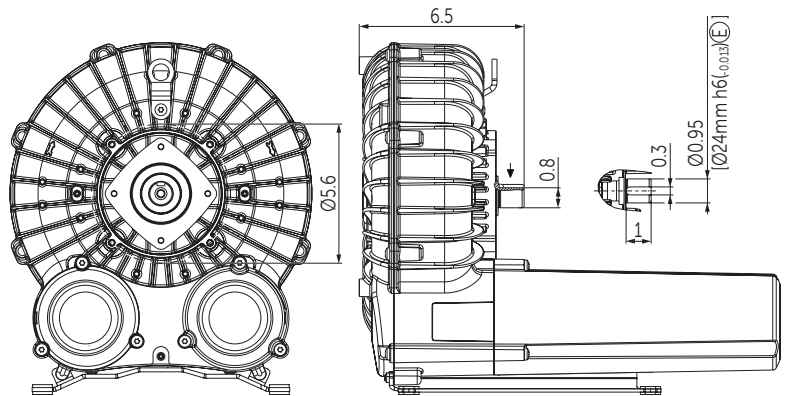
- With coupling for flange motor
- The motor must be supported!



ATEX Motor – 60 Hz	hp	V	rpm	A	Version
Class 1 Div 2 Groups C&D II 1 G ia IIB	3.0	YY230/Y460 YY208/Y –	IE3 3480	7.70/3.85 8.51	UL • IP55 • ISO F • PTC 155°C (311°F)

WITHOUT MOTOR

- With free shaft end
- Max. 5600 rpm with V-belt pulley
- Possible performance data see VARIAIR SV 201/1¹⁾



OTHER VARIANTS AND ACCESSORIES

- With increased corrosion protection
- VARIAIR SV 201/1 with frequency inverter VAU4/4 for 100 Hz operation¹⁾
- Sound proof box SH 18¹⁾



Sound proof box SH 18

¹⁾ See separate data sheet
 ▪ Dimensions in inch – For other dimensions, see the figure on page 2.
 ▪ Possible combinations on request



MAKE IT BECKER.