

DATA SHEET

**SV 130/1**

# **SIDE CHANNEL BLOWERS**

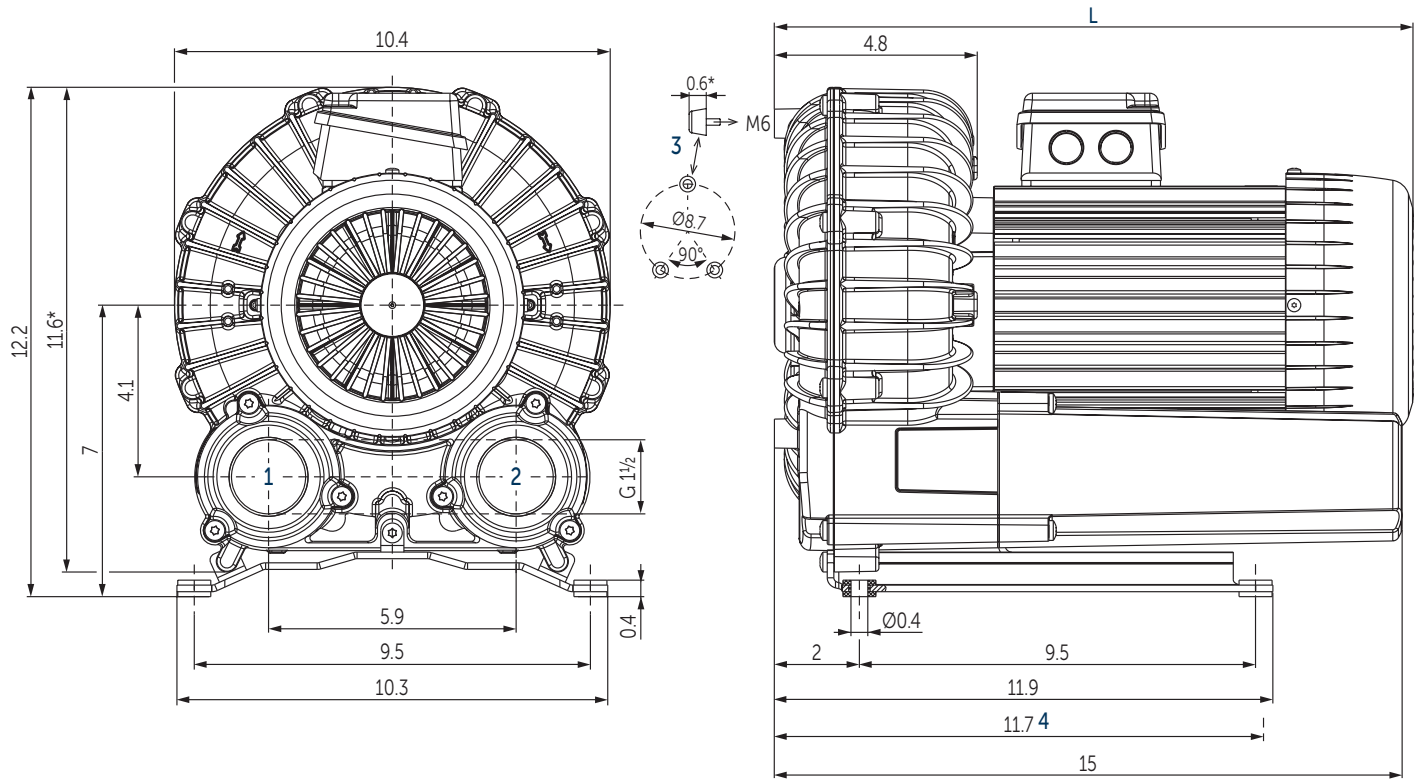
single stage

air-cooled

---

**MAKE IT BECKER.**





- 1 Vacuum connection (G1½)
- 2 Pressure connection (G1½)
- 3 Optional vibration dampers (rubber buffer) for vertical installation
- 4 Optional with shorter silencers
- \* Device dimensions without pedestal under the silencer, with rubber buffers on the enclosure cover
- The motor illustration may vary
- Dimensions in inch

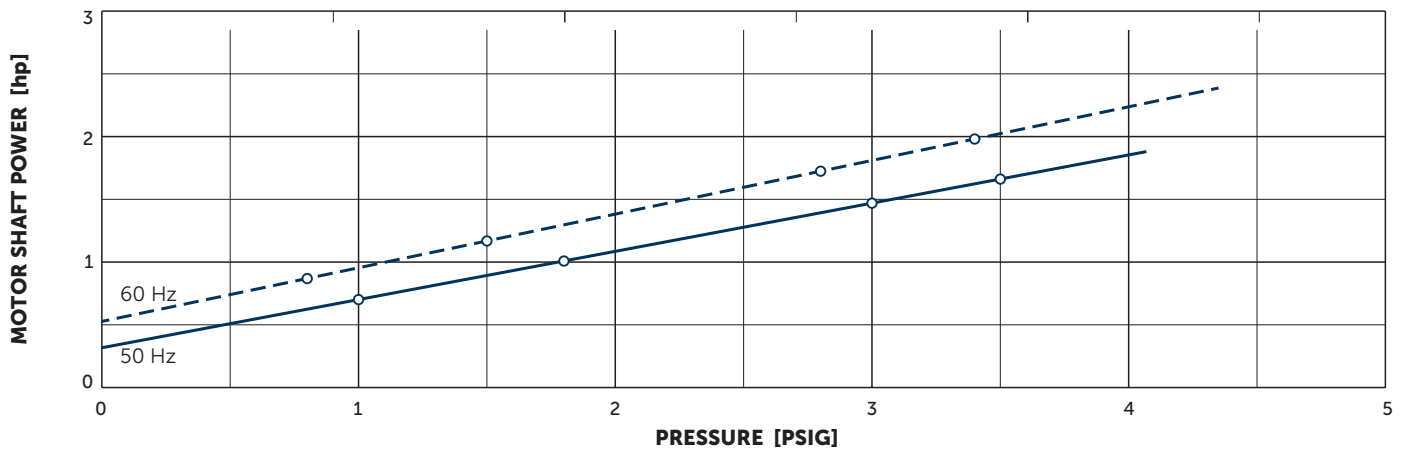
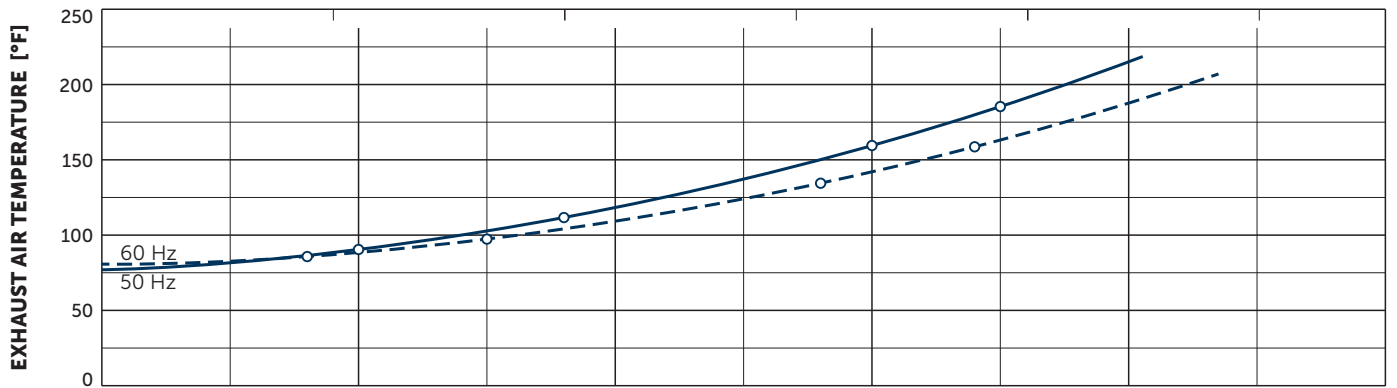
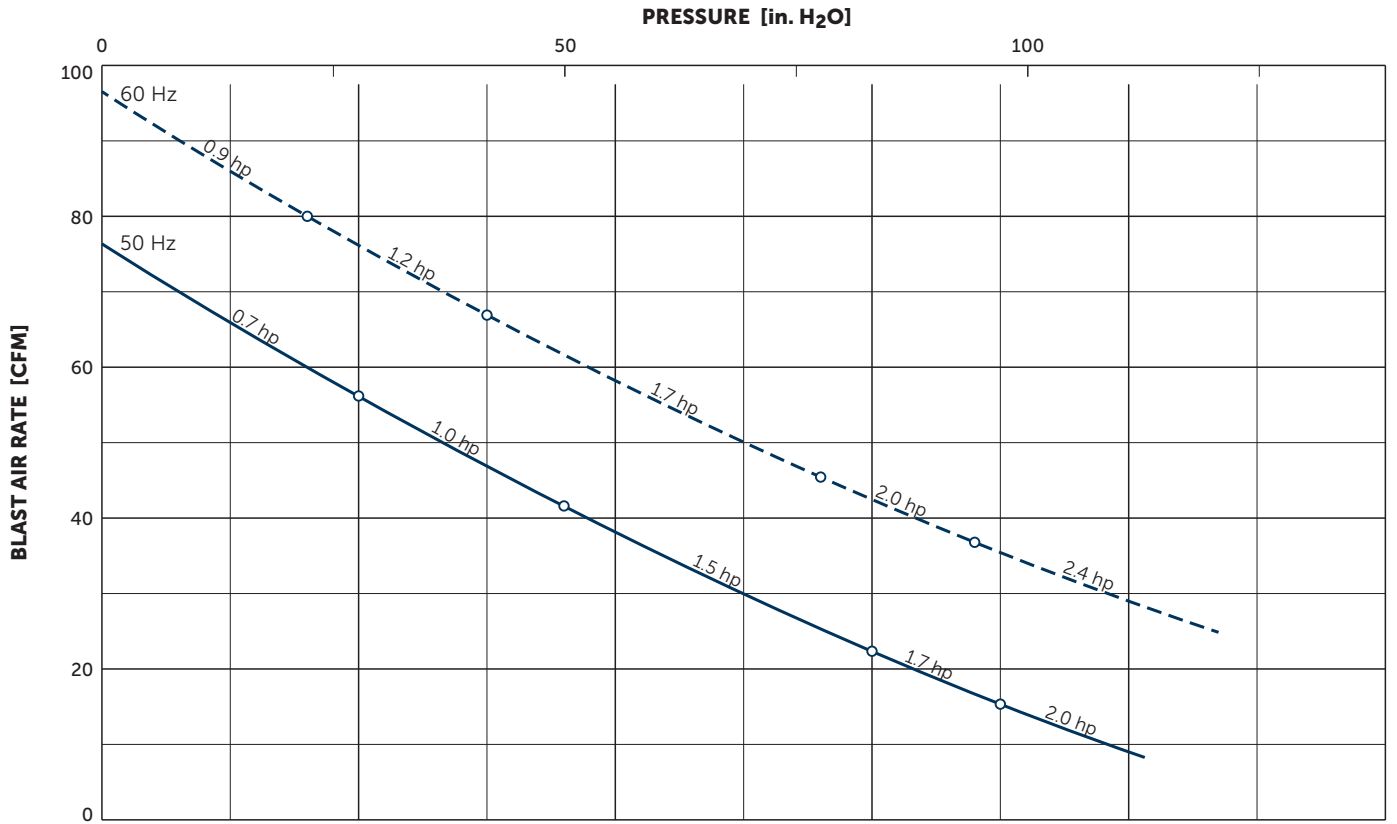
Blast air rate		Pressure				Motor capacity		Emission sound pressure level <sup>1)</sup>		Weight incl. motor
CFM		in. H <sub>2</sub> O		PSIG		hp		dB(A)		lbs
50 Hz	60 Hz	50 Hz	60 Hz	50 Hz	60 Hz	50 Hz	60 Hz	50 Hz	60 Hz	
76	94	30.2	24.1	1.1	0.9	0.7	0.9	61.2 (20.1 in. H <sub>2</sub> O)	64.0 (20.1 in. H <sub>2</sub> O)	46.3
76	94	50.3	44.2	1.8	1.6	1.0	1.2	61.2 (20.1 in. H <sub>2</sub> O)	64.0 (20.1 in. H <sub>2</sub> O)	48.5
76	94	84.4	78.4	3.0	2.8	1.5	1.7	63.0 (58.3 in. H <sub>2</sub> O)	64.7 (58.3 in. H <sub>2</sub> O)	49.6
76	94	96.5	94.5	3.5	3.4	1.7	2.0	64.2 (64.3 in. H <sub>2</sub> O)	65.3 (64.3 in. H <sub>2</sub> O)	54.0
76	94	112.6	120.6	4.1	4.4	2.0	2.4	64.2 (64.3 in. H <sub>2</sub> O)	65.3 (64.3 in. H <sub>2</sub> O)	57.3

<sup>1)</sup> According to DIN EN ISO 11203, accuracy class of measurement: class 2, extended measurement uncertainty: 3 dB  
39.4 inch distance, at medium load, both connection sides piped

3~ Motors											L	
#	50 Hz				60 Hz				Version	inch		
	hp	V	rpm	A	hp	V	rpm	A				
01	0.7	$\Delta$ 230/Y400	IE3	2895	2.10/1.21	0.9	$\Delta$ 265/Y460 $\Delta$ 230/Y400	IE3	3515 3493	2.15/1.24 2.31/1.34	UL • CSA IP55 • ISO F • bimetal	14.5
02						0.9	YY230/Y460 YY208/Y –	IE3	3515 3496	2.50/1.25 2.58/ –	UL • CSA IP55 • ISO F • bimetal	14.5
03	0.7	$\Delta$ 200/Y350	IE3	2903	2.42/1.40	0.9	$\Delta$ 220/Y380–400 $\Delta$ 200/Y350	IE3	3518 3496	2.53/1.48–1.46 2.70/1.56	UL • CSA IP55 • ISO F • bimetal	14.5
04	1.0	$\Delta$ 230/Y400	IE3	2888	2.70/1.55	1.2	$\Delta$ 265/Y460 $\Delta$ 230/Y400	IE3 IE3	3503 3460	2.70/1.57 3.00/1.76	UL(E235514) • CSA • CC329B IP55 • ISO F • bimetal	15.1
05						1.2	YY230/Y460 YY208/Y –	IE3	3505 3493	3.40/1.70 3.47/ –	UL • CSA IP55 • ISO F • bimetal	15.1
06	1.0	$\Delta$ 200/Y350	IE3	2893	3.43/1.98	1.2	$\Delta$ 220/Y380–400 $\Delta$ 200/Y350	IE3	3505 3458	3.30/1.95–1.92 3.59/2.07	IP55 • ISO F • bimetal	15.1
07	1.5	$\Delta$ 230/Y400	IE3	2870	4.3/2.5	1.7	$\Delta$ 265/Y460 $\Delta$ 230/Y400	IE3	3460 3395	4.3/2.5 4.7/2.7	UL • CSA IP55 • ISO F • bimetal	15.2
08						1.7	YY230/Y460 YY208/Y –	IE3 –	3465 3430	4.8/2.4 5.05/ –	UL(E235514) • CSA • CC329B IP55 • ISO F • bimetal	16.7
09	1.5	$\Delta$ 200/Y350	IE3	2875	5.0/2.9	1.7	$\Delta$ 220/Y380–400 $\Delta$ 200/Y350	IE3	3462 3405	5.0/2.9–3.0 5.2/3.0	IP55 • ISO F • bimetal	15.2
10	1.7	$\Delta$ 230/Y400	IE3	2865	4.7/2.7	2.0	$\Delta$ 265/Y460 $\Delta$ 230/Y400	IE3	3457 3385	4.9/2.8 5.2/3.0	UL • CSA IP55 • ISO F • bimetal	16.0
11						2.0	YY230/Y460 YY208/Y –	IE3	3500 3470	5.4/2.7 5.65/ –	UL(E235514) • CSA • CC329B IP55 • ISO F • bimetal	16.7
12	1.7	$\Delta$ 200/Y350	IE3	2880	5.6/3.2	2.0	$\Delta$ 220/Y380–400 $\Delta$ 200/Y350	IE3	3450 3410	5.7/3.3 5.9/3.4	IP55 • ISO F • bimetal	16.0
13	2.0	$\Delta$ 230/Y400	IE3	2900	6.6/3.8	2.4	$\Delta$ 265/Y460 $\Delta$ 230/Y400	IE3	3490 3450	6.4/3.7 6.5/3.8	UL • CSA IP55 • ISO F • bimetal	16.8
14						2.4	YY230/Y460 YY208/Y –	IE3	3490 3470	6.9/3.45 6.85/ –	UL(E235514) • CSA • CC329B IP55 • ISO F • bimetal	16.7
15	2.0	$\Delta$ 200/Y350	IE3	2905	7.4/4.3	2.4	$\Delta$ 220/Y380–400 $\Delta$ 200/Y350	IE3	3480 3450	7.2/4.3–4.2 7.2/4.2	UL • CSA IP55 • ISO F • bimetal	16.8

1~ Motors											L	
#	50 Hz				60 Hz				Version	inch		
	hp	V	rpm	A	hp	V	rpm	A				
01	0.7	230 $\pm$ 10%		2892	3.35	0.9	230 $\pm$ 10%		3443	3.97	UL • CSA IP55 • ISO F • bimetal	15.7
02	1.0	230 $\pm$ 10%		2885	5.0	1.2	230 $\pm$ 10%		3445	5.13	UL(E235514) • CSA IP55 • ISO F • bimetal	15.8
03	1.5	230 $\pm$ 10%		2855	6.7	1.7	230 $\pm$ 10%		3375	7.9	UL • CSA IP55 • ISO F • bimetal	15.2
04	2.0	230 $\pm$ 10%		2860	8.9	2.4	230 $\pm$ 10%		3350	11.0	UL • CSA IP55 • ISO F • bimetal	16.8

• Current consumption and rotation speed may vary. Tolerance in each case -1.5/+2%

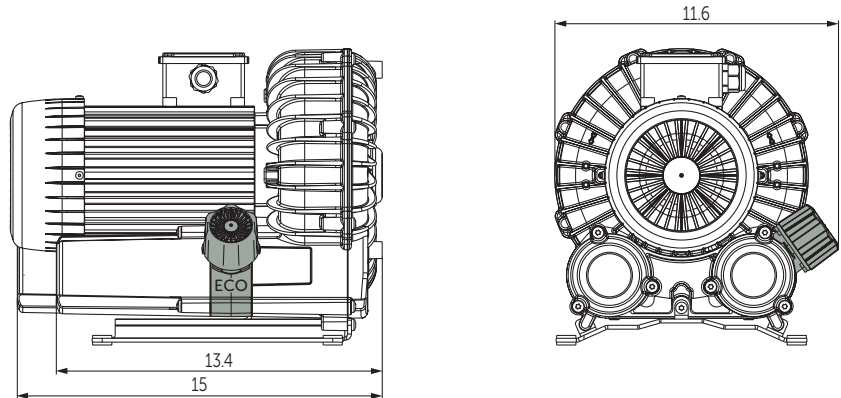


Reference data (atmosphere): 0 in. HgV, 68°F; Tolerance: ±10%  
 Temperature: Inlet air 32°F ... 104°F, Ambient air 3~14°F ... 104°F, Ambient air 1~59°F ... 104°F

## + VARIANTS AND ACCESSORIES

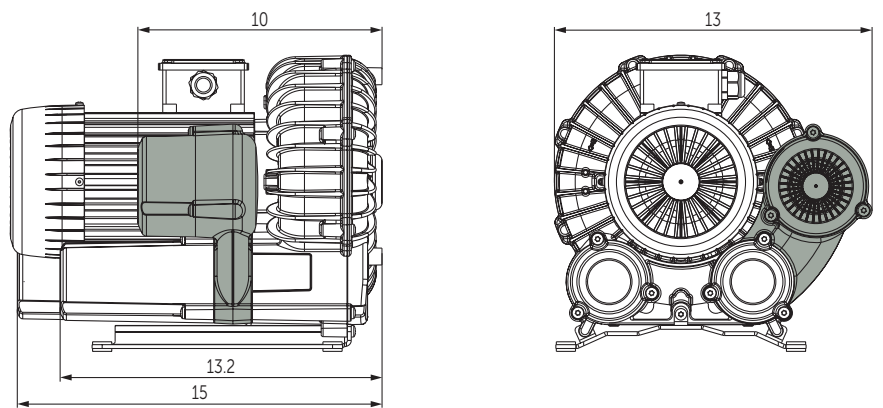
### ECO VACUUM SAFETY VALVE

- The application is pressure dependent.



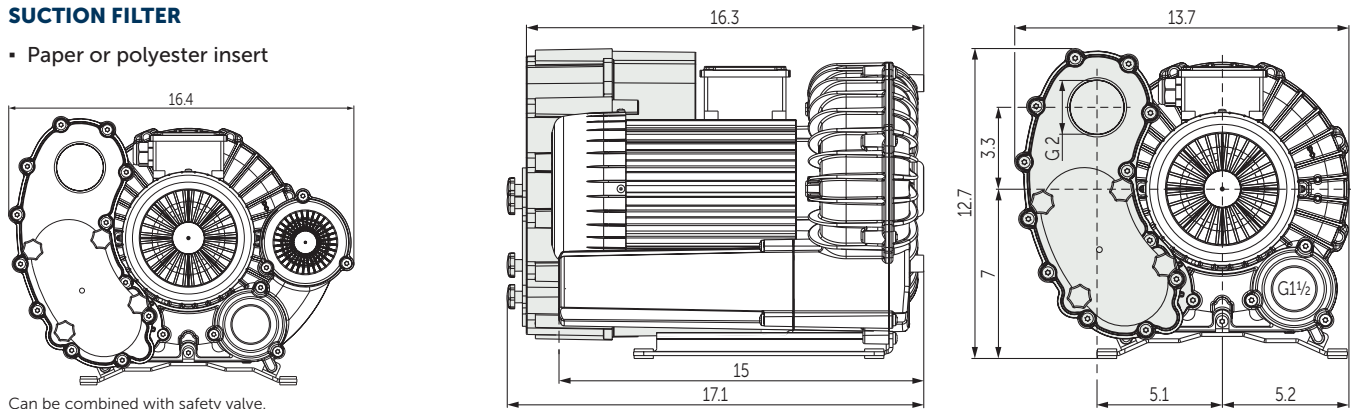
### VACUUM SAFETY VALVE

- The application is pressure dependent.



### SUCTION FILTER

- Paper or polyester insert

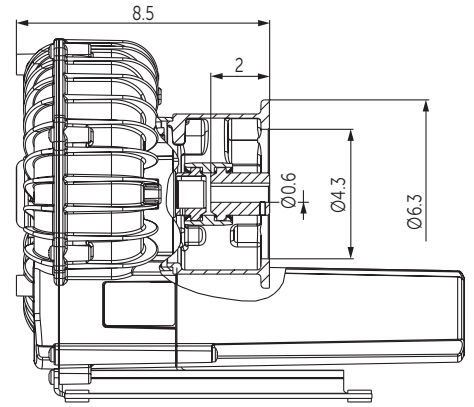
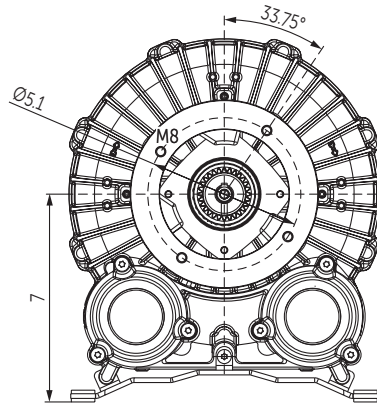


Can be combined with safety valve.

- Dimensions in inch – Further dimensions can be found in the illustration on page 2.
- The motor illustration may vary
- Combination options on request

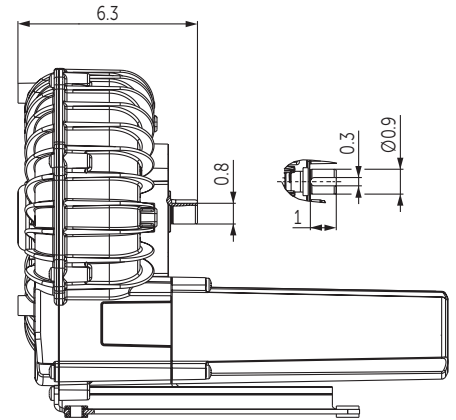
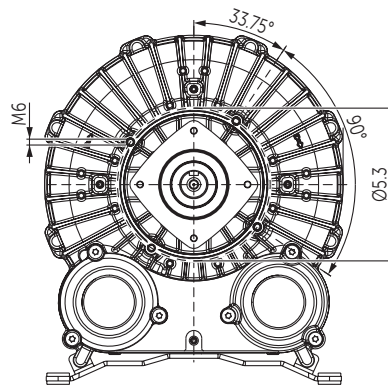
**WITHOUT MOTOR**

- With coupling for flange motor



**WITHOUT MOTOR**

- With free shaft end
- Max. 5600 rpm with V-belt pulley, performance data of VARIAIR SV 130/1



**OTHER VARIANTS AND ACCESSORIES**

- VARIAIR SV 130/1<sup>1)</sup> – Side channel blowers with frequency inverter for 100 Hz operation
- Without pedestal under the silencers, with rubber buffers on the enclosure cover
- Short or long silencers
- Increased corrosion protection
- External suction filters<sup>1)</sup>
- Sound proof box SH 18<sup>1)</sup>



VARIAIR SV 130/1



SH 18

<sup>1)</sup> See separate data sheet  
 • Dimensions in inch – For other dimensions, see the figure on page 2.  
 • Possible combinations on request



**MAKE IT BECKER.**