

DATA SHEET

**KVT 3.60**

# ROTARY VANE VACUUM PUMPS

oil-free

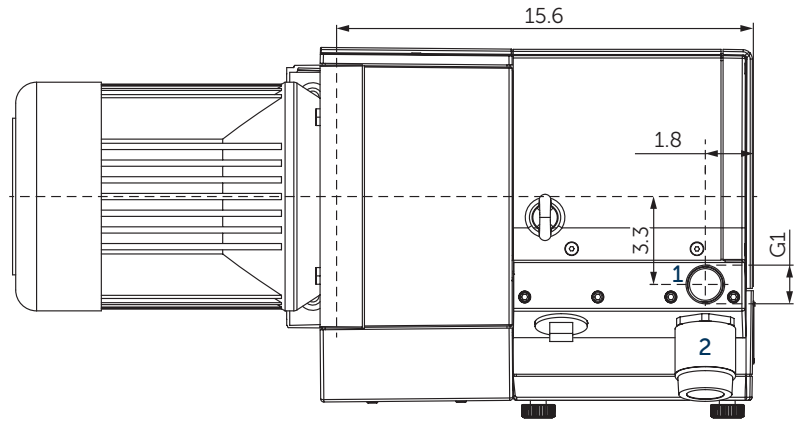
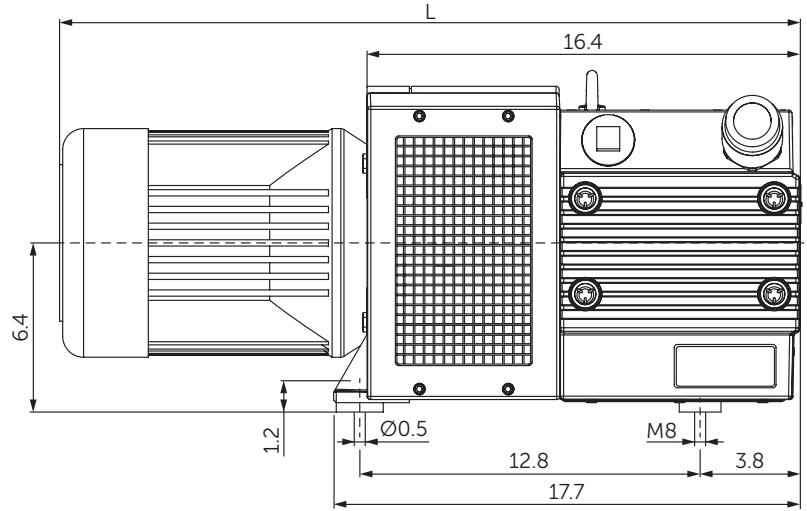
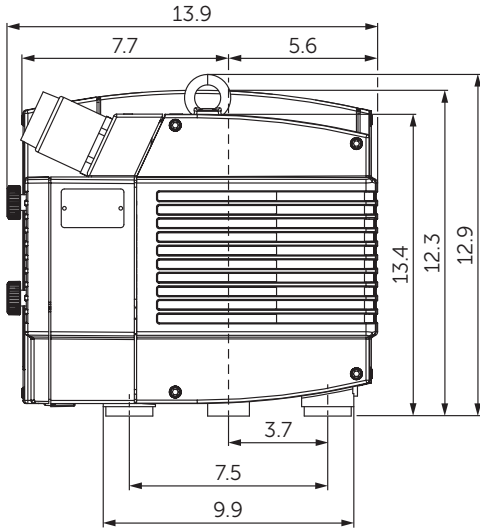
air-cooled

---

**MAKE IT BECKER.**



figure KVT 3.140



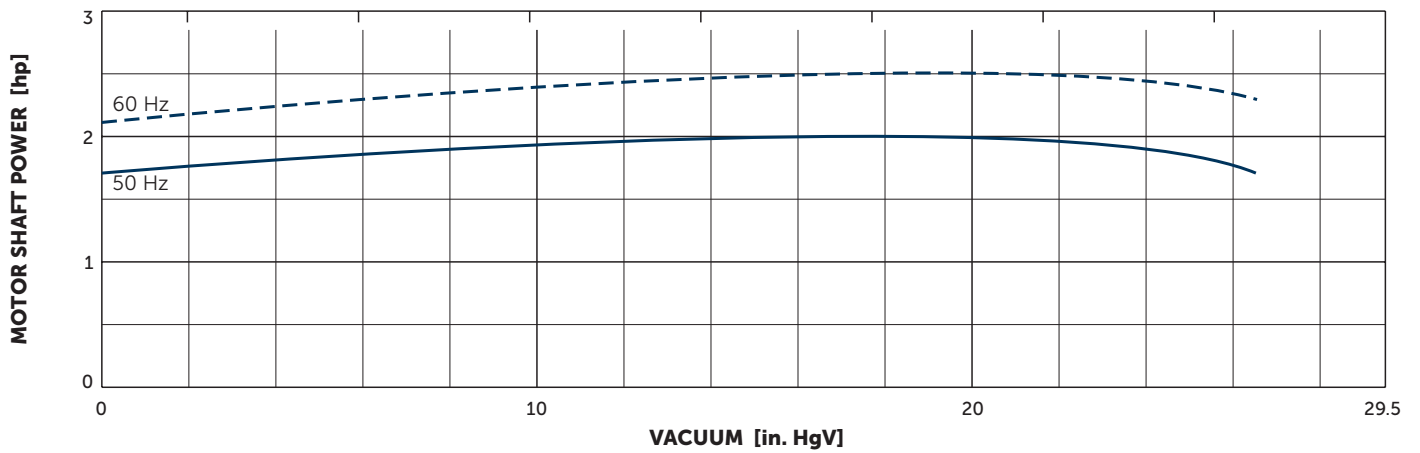
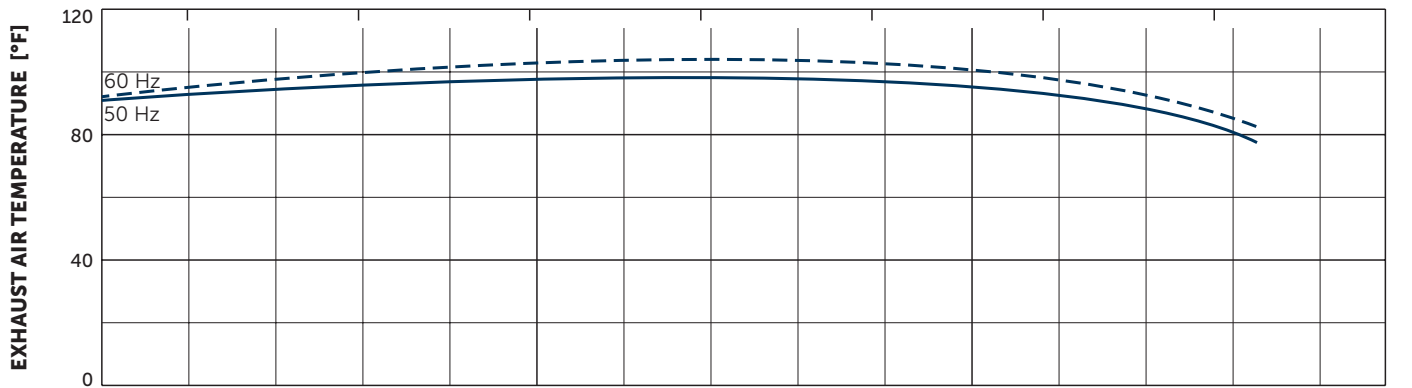
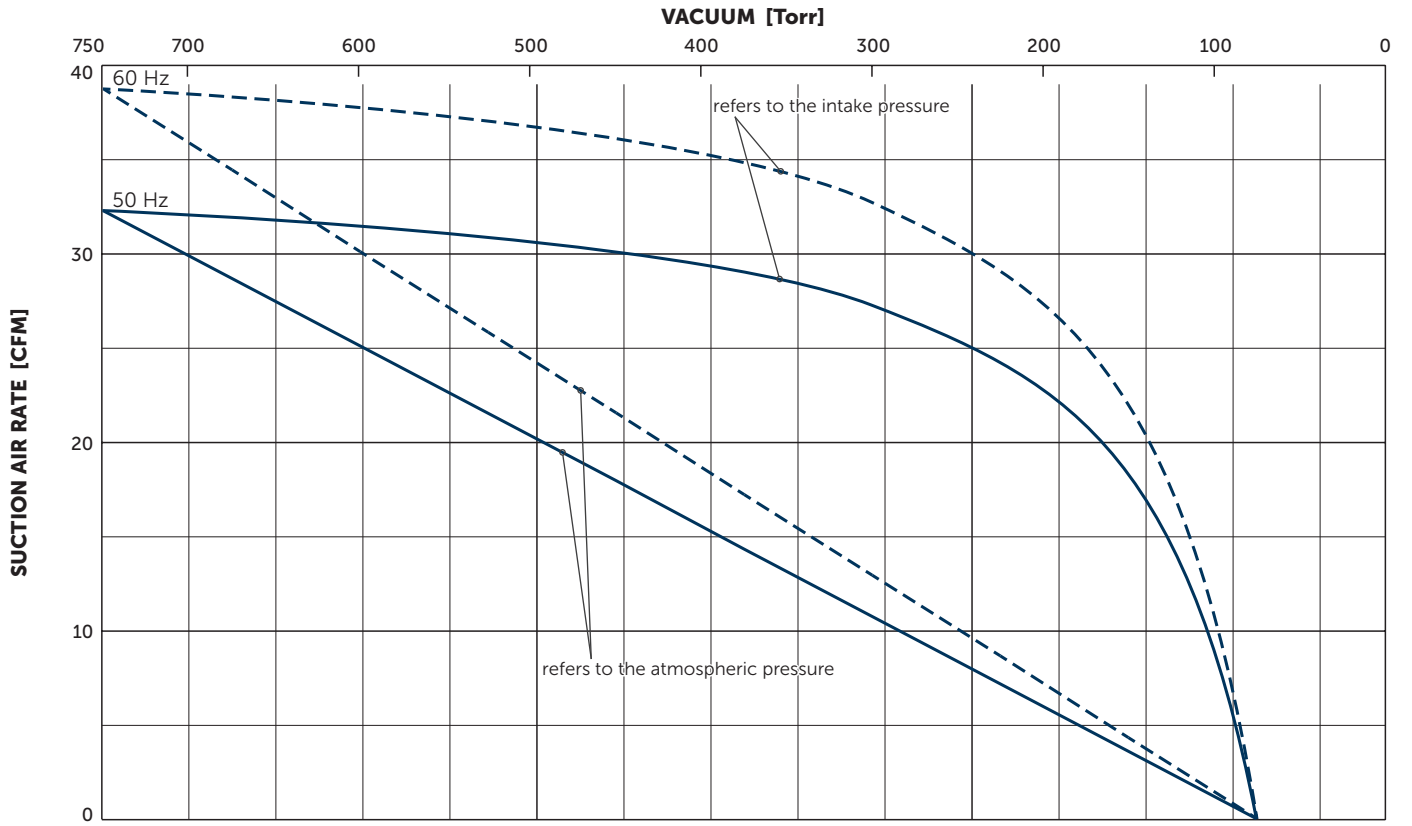
- 1 Vacuum connection (G1)
- 2 Vacuum regulating valve
- Including integrated suction air filter and blow of valve
- The motor illustration may vary.
- Dimensions in inch

| Suction air rate |       | Vacuum  |       | Emission sound pressure level <sup>1)</sup> |       | Weight w/o motor |
|------------------|-------|---------|-------|---|-------|------------------|
| CFM              |       | in. HgV |       | dB(A)                                       |       | lbs              |
| 50 Hz            | 60 Hz | 50 Hz   | 60 Hz | 50 Hz                                       | 60 Hz |                  |
| 32               | 39    | 26.6    | 26.6  | 71  | 73    | 104              |

<sup>1)</sup> According to DIN EN ISO 3744 (KpA = 3 dB(A)), 39.4 inch distance, at medium load, both connection sides piped

| 3~ Motors <sup>1)</sup> |       |           |     |      |          |       |               |     |      |              |                             | L    |      |
|-------------------------|-------|-----------|-----|------|----------|-------|---------------|-----|------|--------------|-----------------------------|------|------|
| #                       | 50 Hz |           |     |      |          | 60 Hz |               |     |      | Version      | Weight<br>lbs               | inch |      |
|                         | hp    | V         | rpm | A    | hp       | V     | rpm           | A   |      |              |                             |      |      |
| 01                      | 3.0   | Δ230/Y400 | IE3 | 1440 | 8.2/4.8  | 3.5   | Δ265/Y460     | IE3 | 1735 | 8.2/4.8      | IP55 • ISO F • bimetal      | 54.0 | 27.7 |
|                         |       |           |     |      |          |       | Δ230/Y400     |     | 1705 | 9.0/5.2      |                             |      |      |
| 02                      |       |           |     |      |          | 3.5   | YY230/Y460    | IE3 | 1763 | 9.3/4.6      | UL(E365362) • CSA<br>CC334B | 81.6 | 29.4 |
|                         |       |           |     |      |          |       | YY208         |     | 1754 | 9.7          | IP55 • ISO F • bimetal      |      |      |
| 03                      | 3.0   | Δ200/Y350 | IE3 | 1470 | 10.4/6.0 | 3.5   | Δ220/Y380-400 | IE3 | 1760 | 10.0/5.8–5.8 | UL(E365362) • CSA<br>CC334B | 81.6 | 29.4 |
|                         |       |           |     |      |          |       | Δ200/Y350     |     | 1755 | 10.2/5.9     | IP55 • ISO F • bimetal      |      |      |
| 04                      |       |           |     |      |          | 3.5   | Δ400/Y690     | IE3 | 1760 | 5.3/3.1      | UL(E365362) • CSA<br>CC334B | 81.6 | 29.4 |
| 05                      |       |           |     |      |          | 3.0   | YY230/Y460    | IE3 | 1800 | 8.0/4.0      | UL • CSA • NEMA<br>ISO F    | 95.0 | 28.5 |
|                         |       |           |     |      |          |       | YY208         |     | 1730 | 8.8          |                             |      |      |

• Current consumption and rotation speed may vary. Tolerance in each case -1.5/+2%



Reference data (atmosphere): 0 in. HgV, 68°F; Tolerance: ±5%

## + VARIANTS AND ACCESSORIES

### KVX 3.60

#### SERIES X: BECKER INNOVATION WITH TOP WARRANTY

Equipped with specially developed vanes, these oil-free rotary vane pumps distinguish themselves by high abrasion resistance, and with that extremely long service lives. Due to the low wear there is also minimal dust, so the series X pumps are perfectly suited for precision processes under clean room conditions.

This innovation branded by Becker is outstanding not only because of its 100 percent oil-free operation, excellent degree of efficiency and low power consumption.

In the area of sensitive vacuum, series X also guarantees precise low-pulsation air conduction.

Becker guarantees for these pumps a vane life-time of 20,000 operating hours or a maximum of 3 years. The enhanced longevity of X series pumps also extends service life intervals, and can cut out the need for frequent service visits with costly pump failures now no longer an issue.

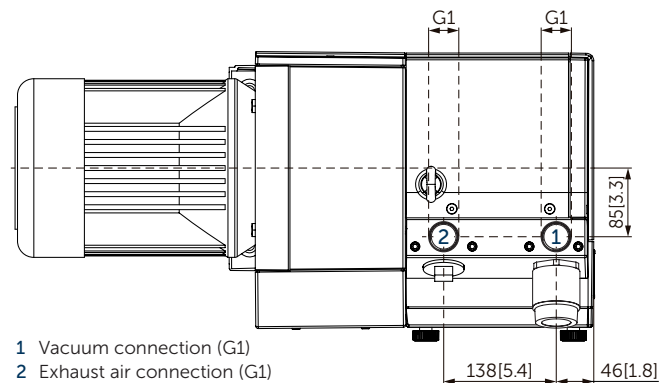


#### ADVANTAGES

- Quick, clean and quiet
- Oil-free
- Wear resistant
- Energy saving
- Long-life reliability

### OTHER VARIANTS AND ACCESSORIES

- **KVT 3.60/0-54** with exhaust connection
- Increased corrosion protection
- External suction filter<sup>1)</sup>
- Sound proof box SH 13<sup>1)</sup>



Example for an external suction filter



Sound proof box SH 13

<sup>1)</sup> See separate data sheet

- Possible combinations on request

**MAKE IT BECKER.**

