

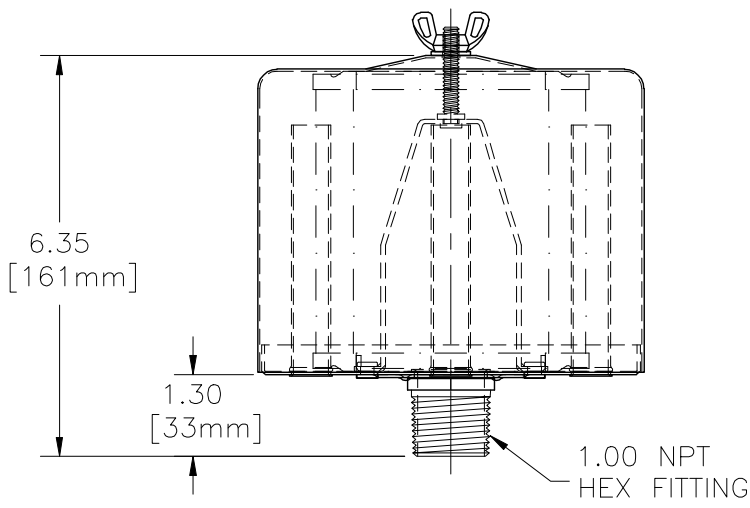
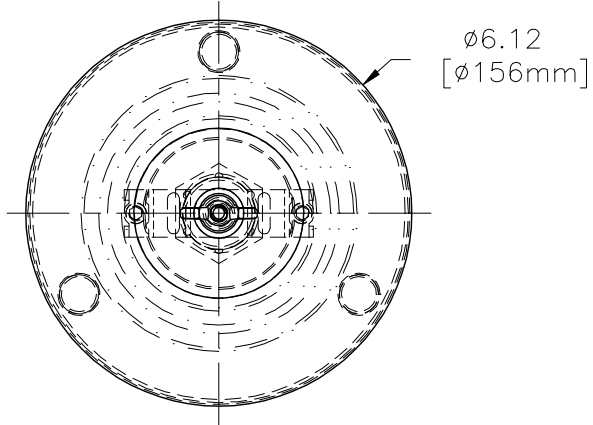
4

3

2

1

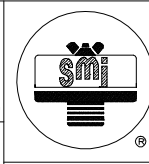
REVISIONS						
ZONE	REV	DESCRIPTION	CDR #	CHG BY	DATE	APP'D



REPLACEMENT ELEMENT# 19P	
MATERIAL	POLYESTER
CFM FLOW	100
SURFACE AREA	1.5 SQ. FT.
I.D.	3.00
O.D.	4.38
HEIGHT	4.75

MODEL#	HOUSING MATERIAL	FINISH
FS-19P-100	CARBON STEEL	BAKED ENAMEL BLACK

The information contained herein is confidential and the property of Solberg Manufacturing Inc. and it is furnished to you with the expressed understanding that it will not be reproduced, copied in any manner, loaned or otherwise transferred to others entirely or in part, nor used for any purpose other than for which it was furnished. It will be returned upon request to Solberg Manufacturing Inc. The above restriction is in addition to, and does not in any way alter, any other restrictions which may apply to the information contained herein. The Illinois Circuit Court, Cook County Division has exclusive jurisdiction over any prosecution that may be necessary to uphold these restrictions.



SOLBERG MANUFACTURING INC.  
1151 W. ARDMORE AVE.  
ITASCA, IL 60143  
630/773-1363

DESCRIPTION:  
FS-19P-100

UNLESS OTHERWISE SPECIFIED  
DIMENSIONS ARE IN INCHES  
TOLERANCES ARE:

FRACTIONS: ±1/4  
DECIMALS: .XX ±.125  
.XXX ±.063  
ANGLES: ±2

APPROVALS	DATE
DRAWN: CRW	10/09/02
ENGINEER:	
APPROVED:	

SHEET: 1 of 1  
WT. MAX.:  
SCALE: 1:1.5  
SIZE: C

CUSTOMER APPROVAL:  
DATE:

MATERIAL: SEE TABLE  
FINISH: SEE TABLE  
DRAWING NUMBER: SD10813

4

3

2

1