

DATA SHEET

DTLF 2.250

ROTARY VANE COMPRESSORS

oil-free

air-cooled

MAKE IT BECKER.

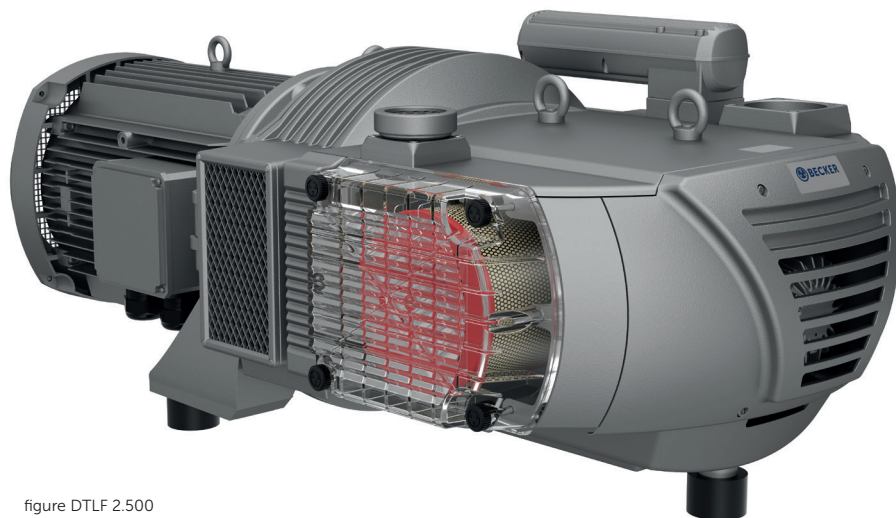
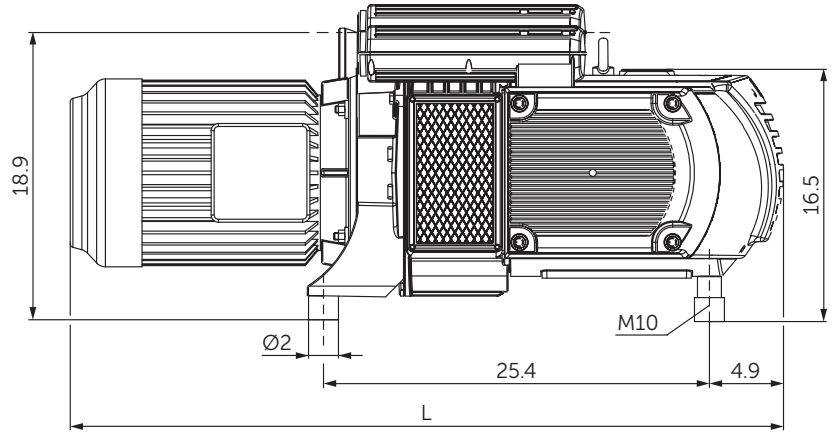
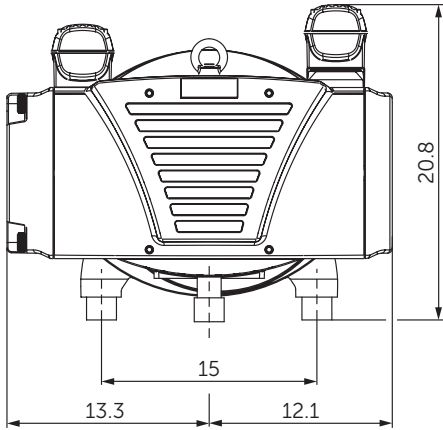
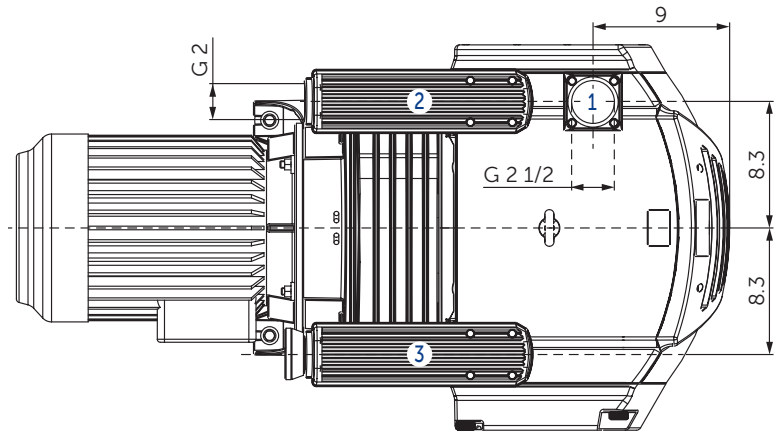


figure DTLF 2.500



- 1 Pressure connection (G2½)
- 2 Pressure safety valve with silencer
- 3 Air nozzle with silencer
- Including integrated suction air filter
- The motor illustration may vary
- Dimensions in inch



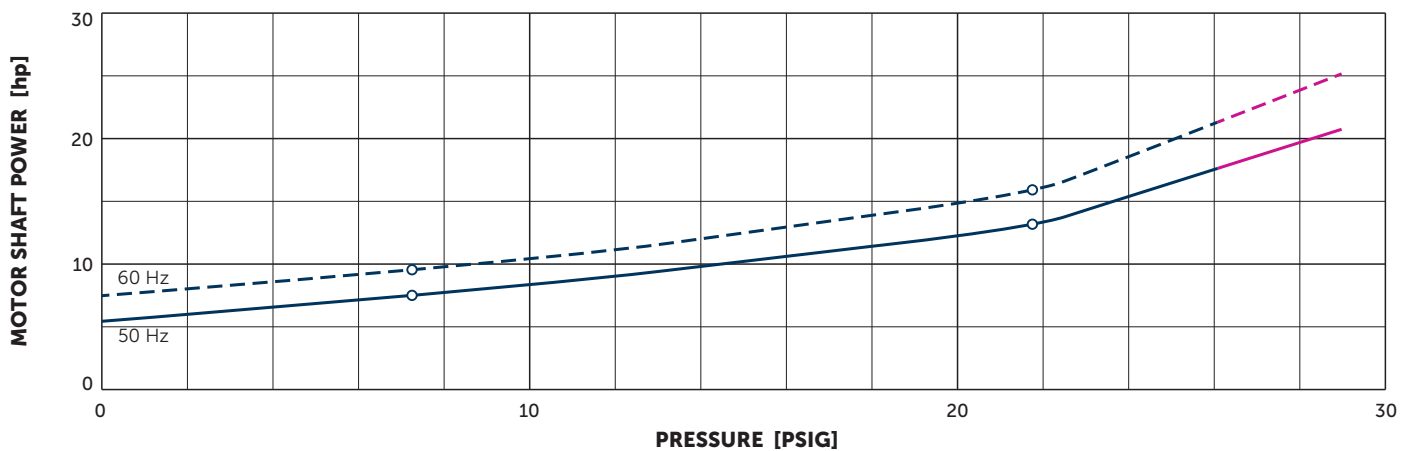
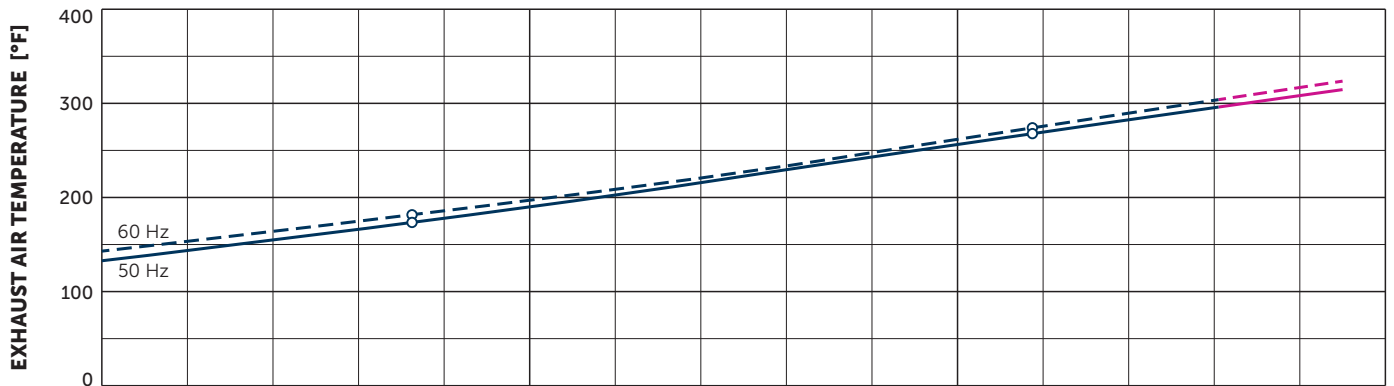
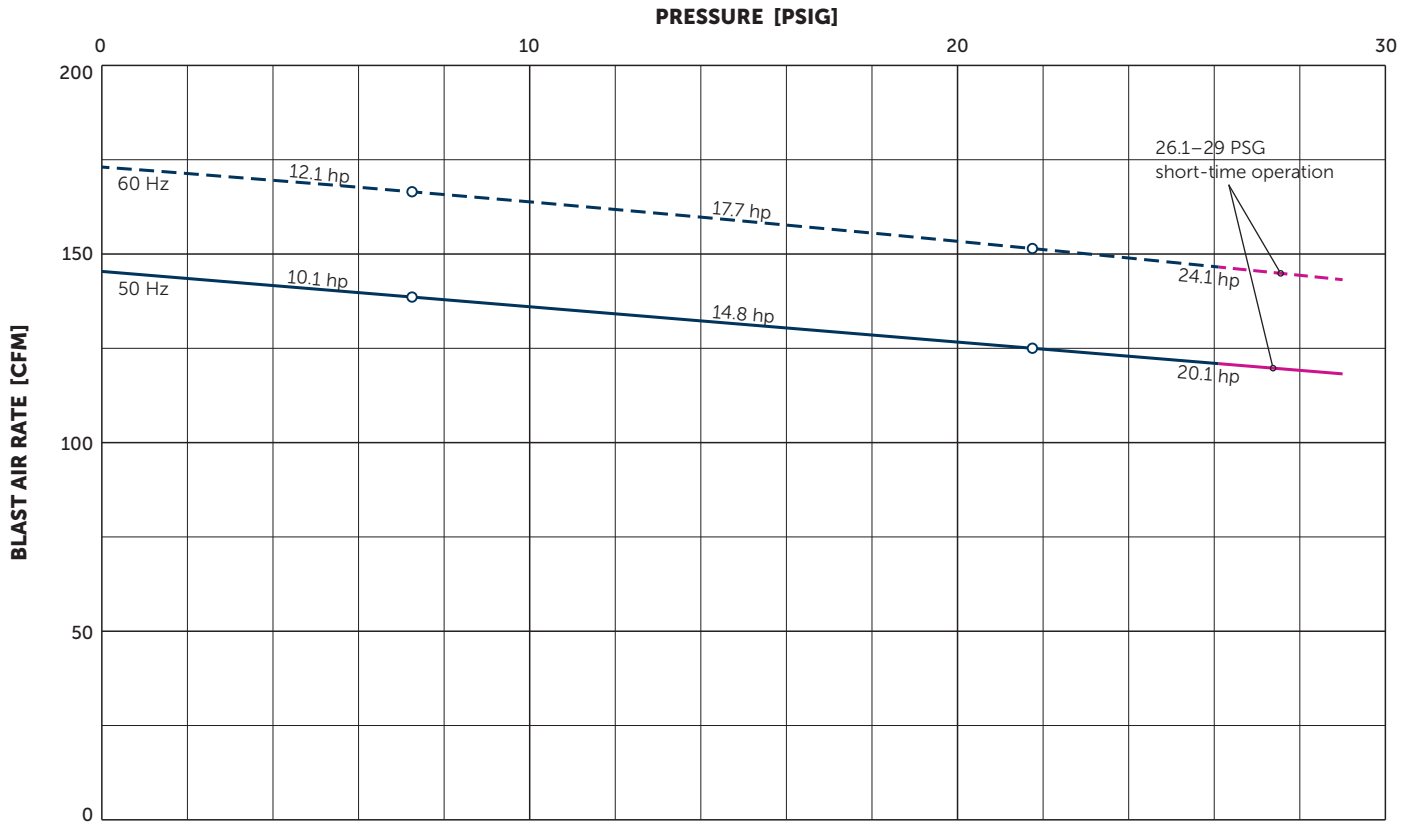
Blast air rate		Pressure		Motors		Emission sound pressure level ¹⁾		Weight w/o motor
CFM		PSIG		hp		dB(A)		lbs
50 Hz	60 Hz	50 Hz	60 Hz	50 Hz	60 Hz	50 Hz	60 Hz	
145	172	7.25	7.25	10.1	12.1	79	80	363.8
145	172	21.75	21.75	14.8	17.7	83	84	363.8
145	172	26.1/29 ²⁾	26.1/29 ²⁾	20.1	24.1	84	85	363.8

¹⁾ According to DIN EN ISO 11203, accuracy class of measurement: class 2, extended measurement uncertainty: 3 dB
39.4 inch distance, at medium load, both connection sides piped

²⁾ 26.1 PSIG continuous operation and 29 PSIG bar short-time operation → max. 2 min (max. 5x / h)

3~ Motors												L	
#	50 Hz				60 Hz				Weight lbs	Version	inch		
	hp	V	rpm	A	hp	V	rpm	A					
01	10.1	Δ400/Y690	IE3	967	16.8/9.7	12.1	Δ460/Y795 Δ400/Y690	IE3	1163	16.8/9.7 1151 18.4/10.6	236.0	IP55 • ISO F • bimetal	46.3
02						12.1	YY230/Y460 YY208	IE3 –	1163 1156	33.4/16.7 35.4	236.0	UL(E235514) • CSA CC329B IP55 • ISO F • bimetal	46.3
03	10.1	Δ200/Y350		965	37.1/21.4	12.1	Δ220/Y380–400 Δ200/Y350	IE3	1165	35.3/20.4–20.1 1162 36.4/21.0	224.9	IP55 • ISO F • bimetal	46.5
04						12.1	Δ400/Y690	IE3	1165	19.3/11.1	224.9	UL(E235514) • CSA CC329B IP55 • ISO F • bimetal	46.3
05	14.8	Δ400	IE3	987	24.9	17.7	Δ460 Δ400	IE3	1185	25.0 1180 27.3	359.4	IP55 • ISO F • bimetal	51.2
06						17.7	YY230/Y460 YY208	IE3	1185	50.6/25.3 1180 52.9	358.3	UL(E235514) • CSA CC329B IP55 • ISO F • bimetal	51.2
07	14.8	Δ200/Y350	IE3	985	45.9/26.5	17.7	Δ220/Y380–400 Δ200/Y350	IE3	1185	49.0/28.3–27.2 1177 52.8/30.5	359.4	UL(E235514) • CSA CC329B IP55 • ISO F • bimetal	50.9
08						17.7	Δ400/Y690	IE3	1185	27.8/15.9	366.0	UL(E235514) • CSA CC329B IP55 • ISO F • bimetal	51.2
09	20.1	Δ400	IE3	985	33.4	24.1	Δ460 Δ400	IE3	1183	33.7 1175 37.2	432.2	UL(E235514) • CSA CC329B IP55 • ISO F • bimetal	51.2
10						24.1	YY230/Y460 YY208	IE3	1183	69.1/34.6 1180 72.3	358.3	UL(E235514) • CSA CC329B IP55 • ISO F • bimetal	51.2
11	20.1	Δ200/Y350	IE3	987	68.6/39.6	24.1	Δ220/Y380–400 Δ200/Y350	IE3	1185	69.7/40.2–39.6 1180 73.1/42.2	359.4	UL(E235514) • CSA CC329B IP55 • ISO F • bimetal	51.2
12						24.1	Δ400/Y690	IE3	1185	38.9/22.4	434.4	UL(E235514) • CSA CC329B IP55 • ISO F • bimetal	51.2

▪ Current consumption and rotation speed may vary. Tolerance in each case -1.5/+2%



Reference data (atmosphere): 0 PSIG, 68°F; Tolerance: ±5%
 26.1–29 PSIG short-time operation → max. 2 min (max. 5x / h)

+ VARIAIR AND ACCESSORIES

- VARIAIR DTLF 2.250/0-400 with frequency inverter¹⁾
- DTLF 2.250 K with cooler at pressure side
- Increased corrosion protection
- Integrated non return valve
- Internal dust separator
- External suction filter¹⁾
- Sound proof box SH 10¹⁾



VARIAIR DTLF 2.250/0-400



Sound proof box SH 10

¹⁾ See separate data sheet

- Possible combinations on request



MAKE IT BECKER.