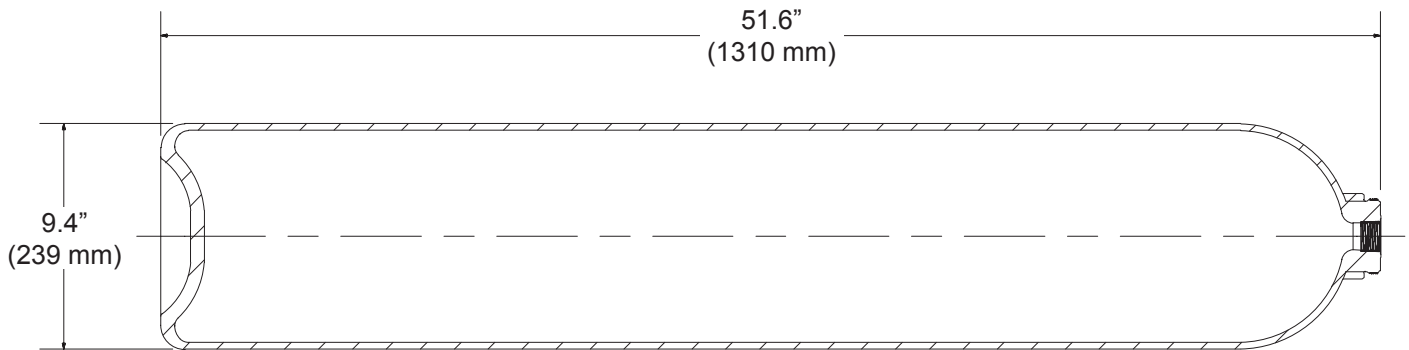


UN/ISO-DOT Approved 6000 PSI (414 BAR) Steel Cylinder (AC40060)

Refillable Seamless Steel Cylinder for Gases Except CNG, Hydrogen, and Methane



Specifications:	ISO 9809-2:2000 (DOT-UN)	
Neck Thread:	3.125"-11UN	
Inlet Thread:	25E EN 629-1 1996	
Cylinder Valve:	Brass CGA 702 Valve	
Cylinder Valve Pressure Relief (PRD):	9,000 PSI (620 BAR)	
Working Pressure:	6,000 PSI (414 BAR)	
Test Pressure:	9,007 PSI (621 BAR)	
Hydraulic Burst Pressure:	14,417 PSI (994 BAR)	
Approximate Water Capacity:	Min	2,642 in ³ (43.3 lt)
	Max	2,722 in ³ (44.6 lt)
Approximate Air Volume:	510.6 ft ³ (14.46 m ³)	
Approximate Nitrogen Volume	493 ft ³ (13.96 m ³)	
Approximate Weight: (Includes Cap and Valve)	200 lbs (90.7 kg)	
Allowable Temperature:	Min	-58°F (-50°C)
	Max	149°F (65°C)
Cylindrical Shell Thickness:	Min	0.39 in (9.9 mm)
Base Thickness:	Min	0.78 in (19.8 mm)
Material:	Chromium Molybdenum Steel 34CRMO4	
Heat Treatment:	Liquid Quenched	1,652°F ±68°F (900°C ±20°C)
	Tempered	1,040°F ±86°F (560°C ±30°C)
Yield Strength:	Min	950 MPa
Tensile Strength:	Min	1,060 MPa
	Max	1,180 MPa
Elongation Percentage (%):	Min	12.0
Impact Test at -50°C	Direction	Transverse
	Mean (J/cm ²)	60
	Individual (J/cm ²)	42

PO Box 1000 | Sophia, WV 25921-1000
304-683-4595 | 304-683-3257 | 800-523-7222
sales@americanairworks.com | www.americanairworks.com



DOC. 0117-02 08/17