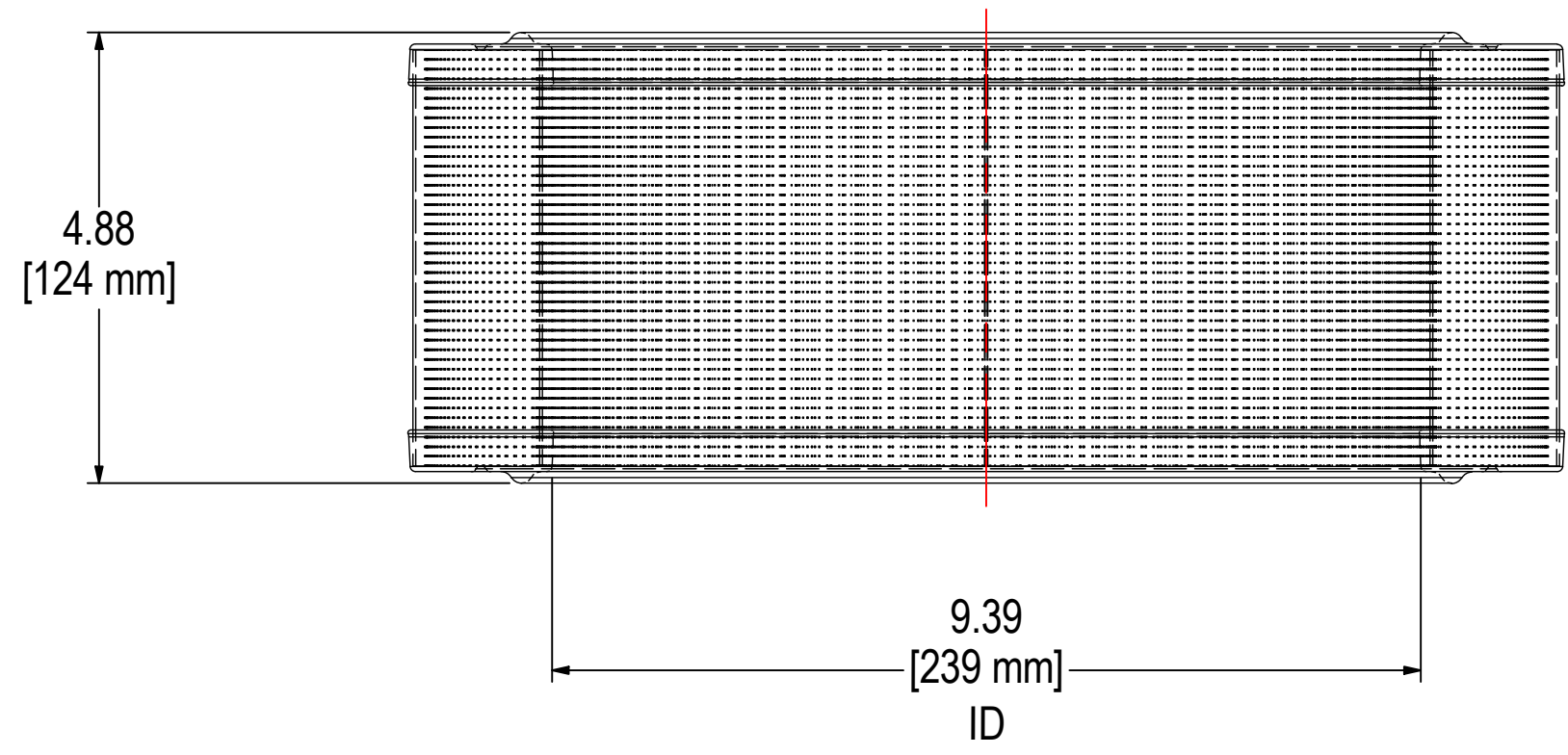
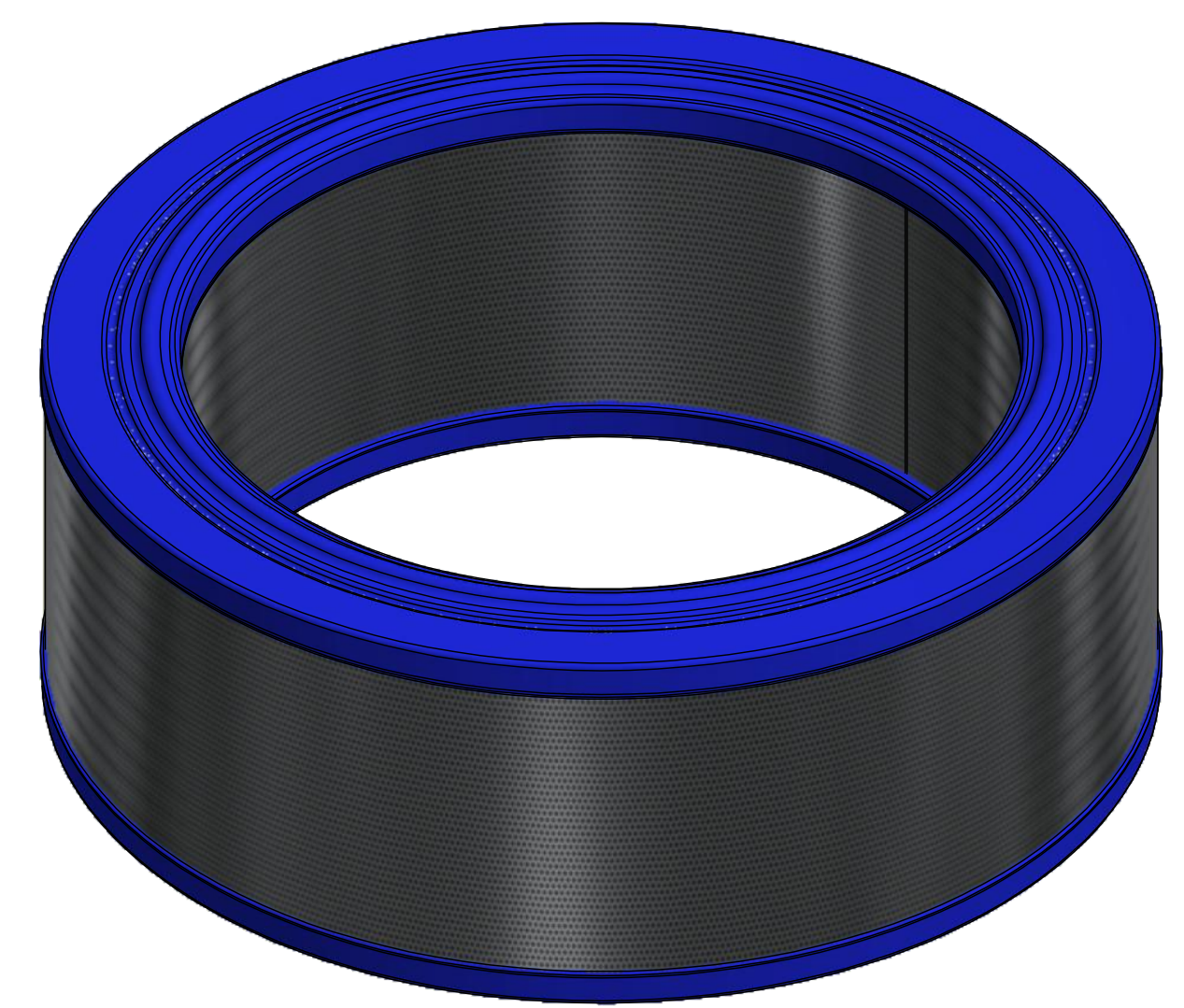
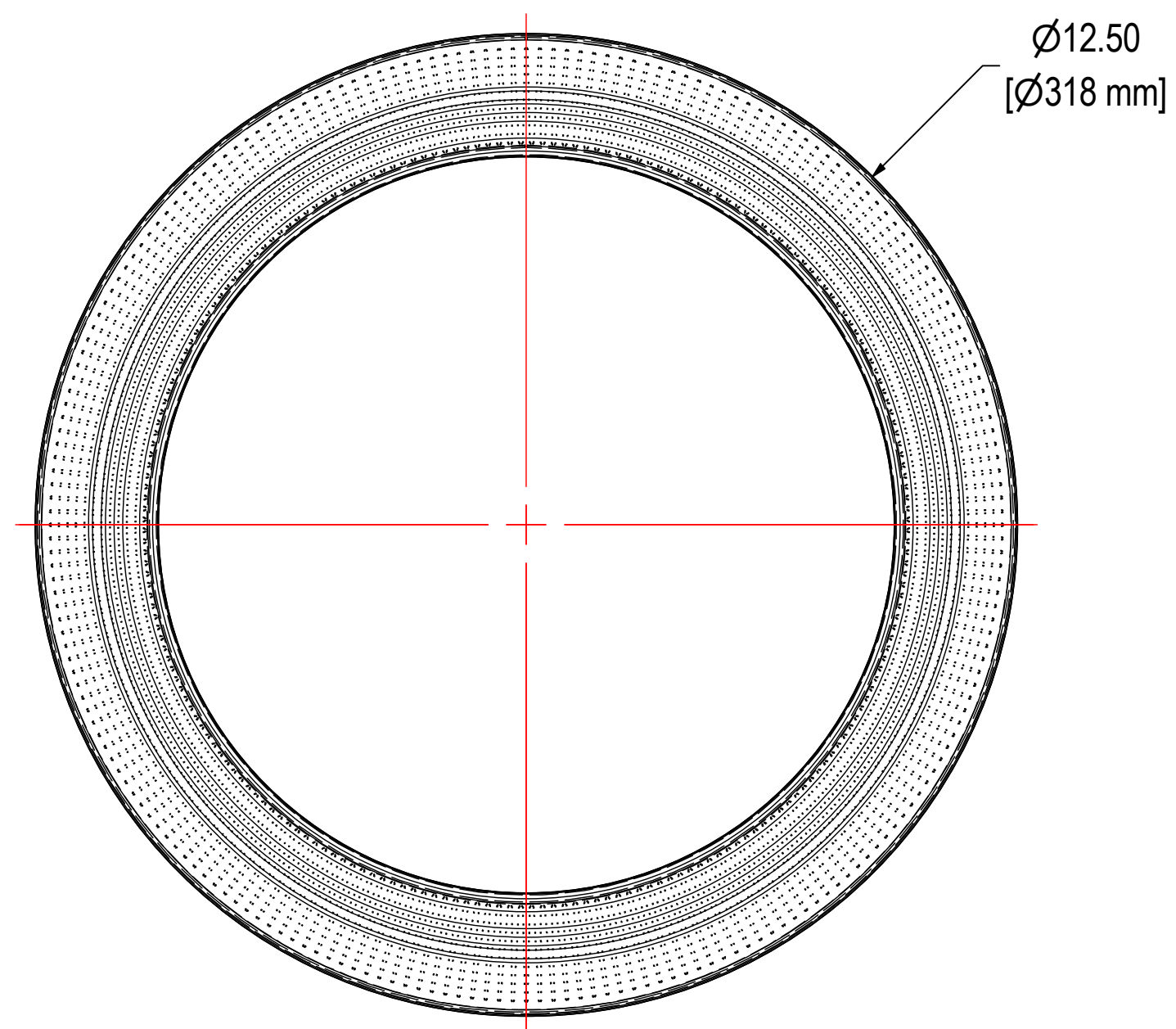


REV	DESCRIPTION	ECN #	CHG BY	DATE	APP'D
A	UPDATED TO 3D		WEB	09/18/19	TAS



ELEMENT SPECS		
PART NUMBER	32-20	
MATERIAL	PAPER	
FLOW RATE	N/A	N/A
SURFACE AREA	14.1 ft ²	1.3 m ²
I.D.	9.39"	239mm
O.D.	12.50"	318mm
HEIGHT	4.88"	124mm



SOLBERG[®]
Filtration • Separation • Silencing
 630.773.1363 • www.solbergmfg.com

THE INFORMATION CONTAINED HEREIN IS CONFIDENTIAL AND THE PROPERTY OF SOLBERG MANUFACTURING INC. AND IT IS FURNISHED TO YOU WITH THE EXPRESS UNDERSTANDING THAT IT WILL NOT BE REPRODUCED, COPIED IN ANY MANNER, LOANED OR OTHERWISE TRANSFERRED TO OTHERS ENTIRELY OR IN PART, NOR USED FOR ANY PURPOSE OTHER THAN FOR WHICH IT WAS FURNISHED. IT WILL BE RETURNED UPON REQUEST TO SOLBERG MANUFACTURING INC. THE ABOVE RESTRICTION IS IN ADDITION TO, AND DOES NOT IN ANY WAY ALTER, ANY OTHER RESTRICTIONS WHICH MAY APPLY TO THE INFORMATION CONTAINED HEREIN.

TOLERANCES
 DIMENSIONS ARE FOR REFERENCE ONLY. ALL DIMENSIONS ARE SUBJECT TO CHANGE UPON PRODUCTION.
 UNLESS OTHERWISE SPECIFIED:
 -DIMENSIONS ARE IN INCHES
 -REF: APPROXIMATE DIMENSIONS, NO TOLERANCES APPLY
 -FINISH: BREAK EDGES TO .005-.020 RADIUS/CHAMFER

MODEL NUMBER: 32-20		SHEET: 1 OF 1	
DESCRIPTION: 32-20, PAPER			
PROJECT: SD14788	DRAWN BY: CMA DATE: 8/25/2009	APPROVED BY: C.W. DATE: 8/25/2009	REV: A