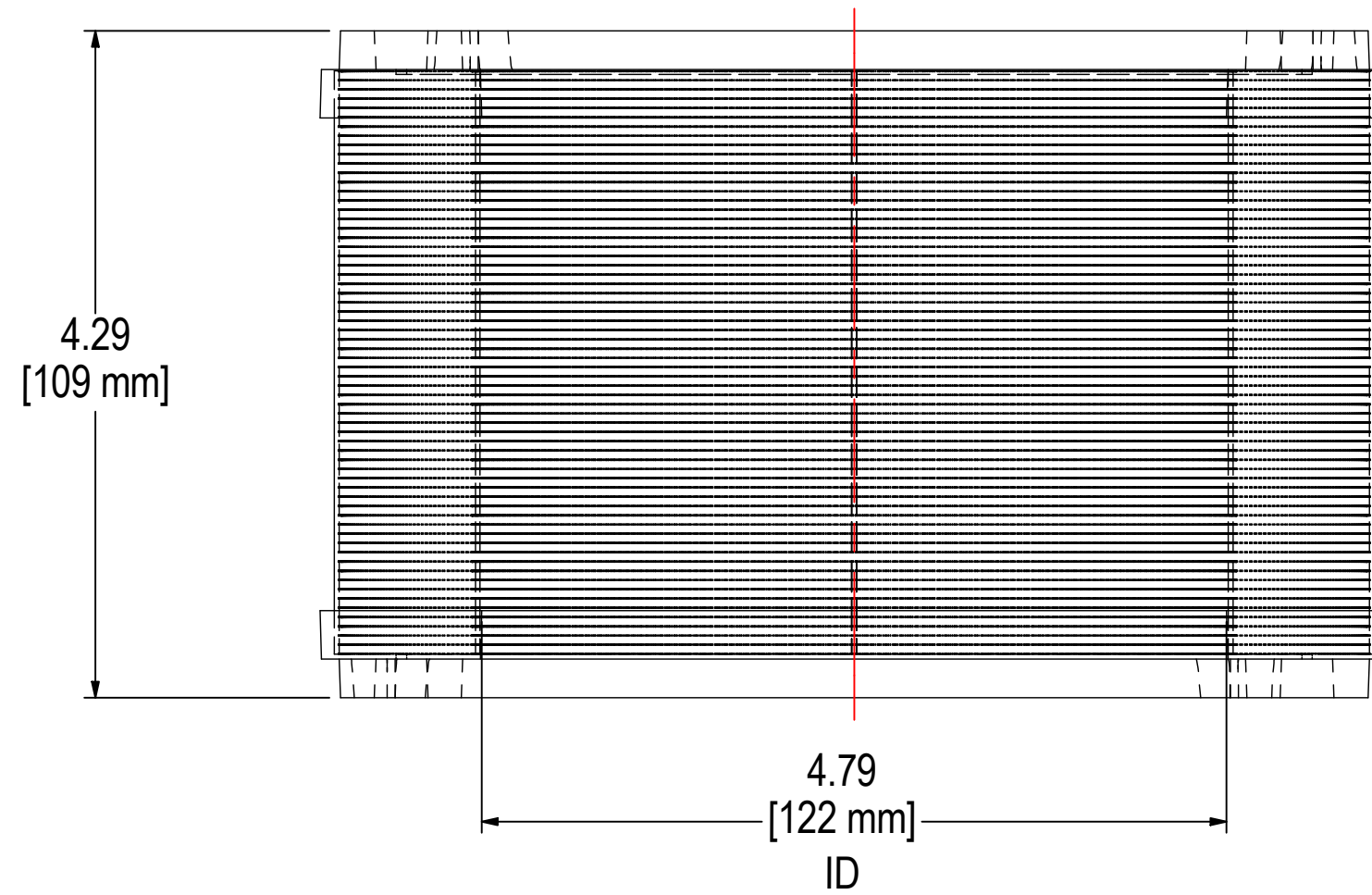
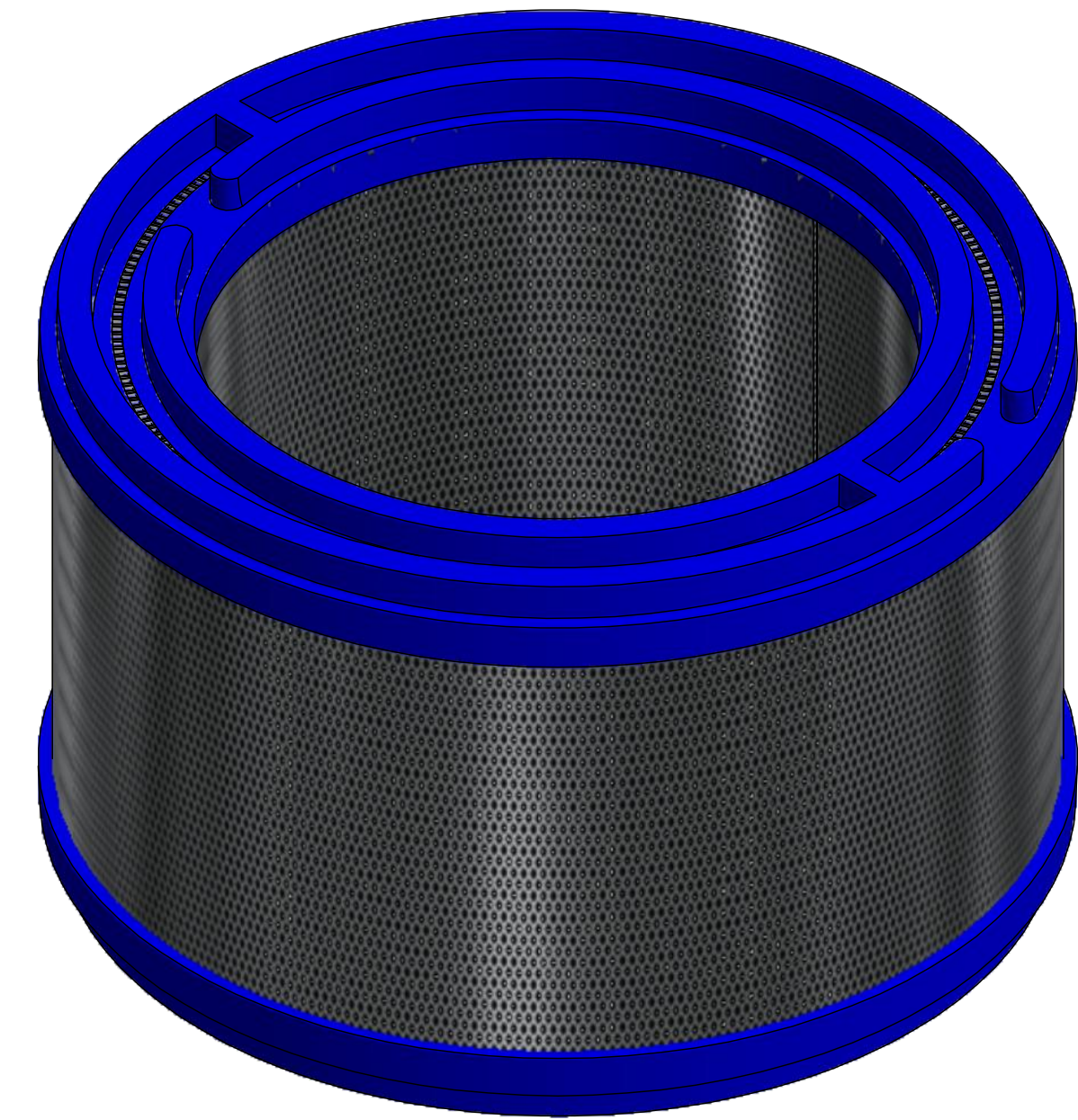
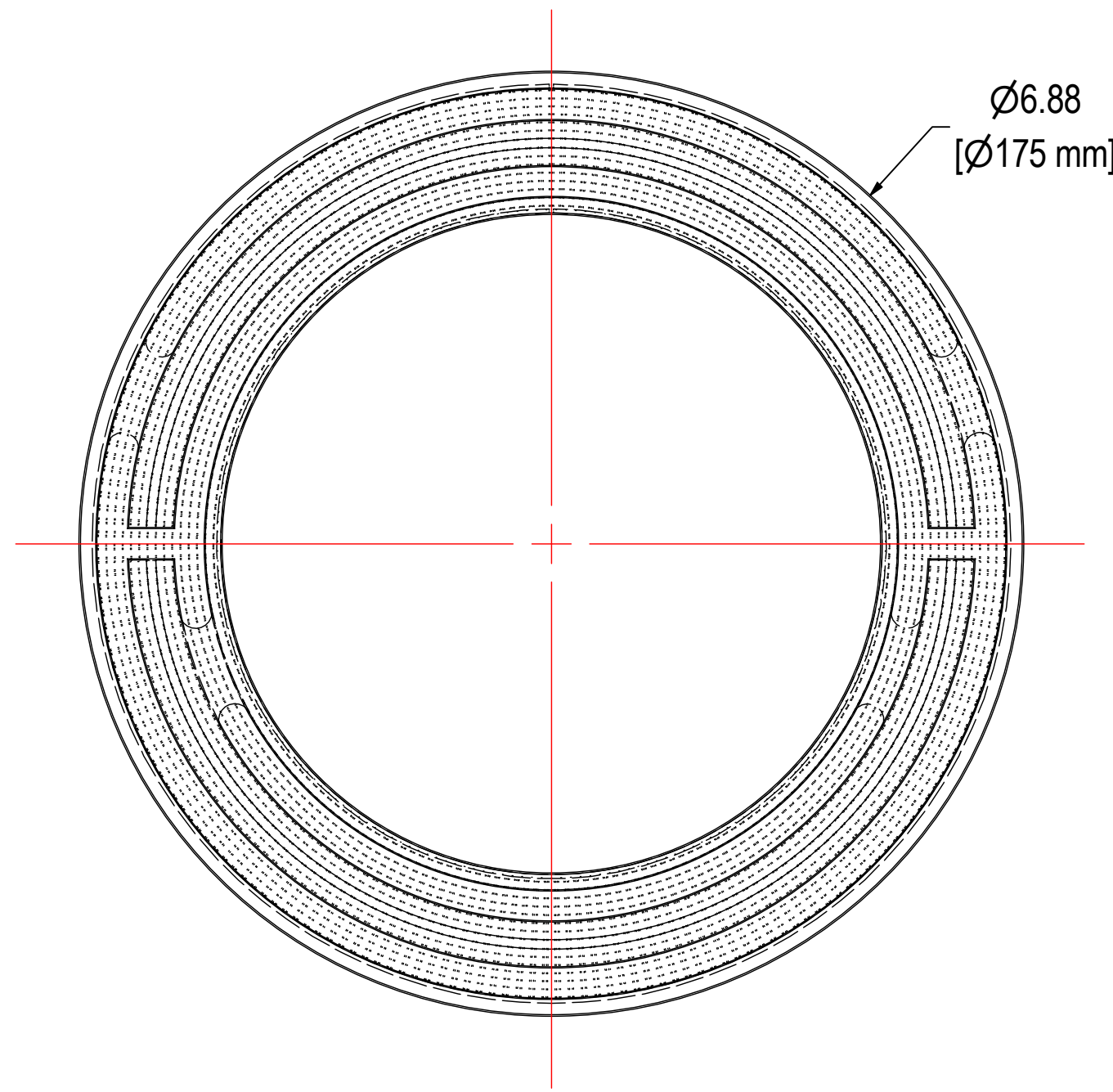


REV	DESCRIPTION	ECN #	CHG BY	DATE	APP'D
A	UPDATED HEIGHT	-	CMA	03/01/10	MJC
B	CONVERTED TO 3D	WEB	EZR	10/01/19	NAD



ELEMENT SPECS		
PART NUMBER	32-16	
MATERIAL	PAPER	
FLOW RATE	N/A	N/A
SURFACE AREA	8.4 ft <sup>2</sup>	0.8 m <sup>2</sup>
I.D.	4.79"	122mm
O.D.	6.88"	175mm
HEIGHT	4.31"	109mm