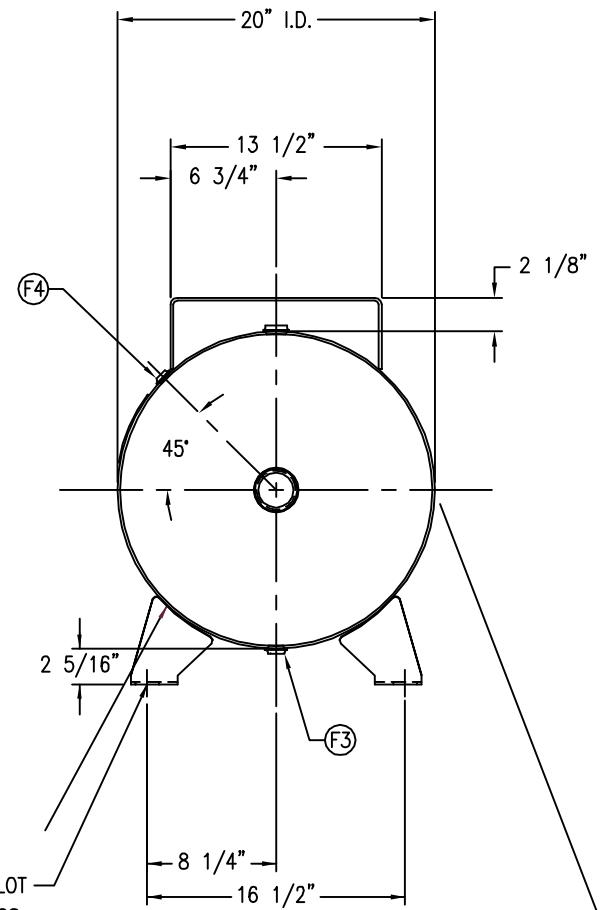
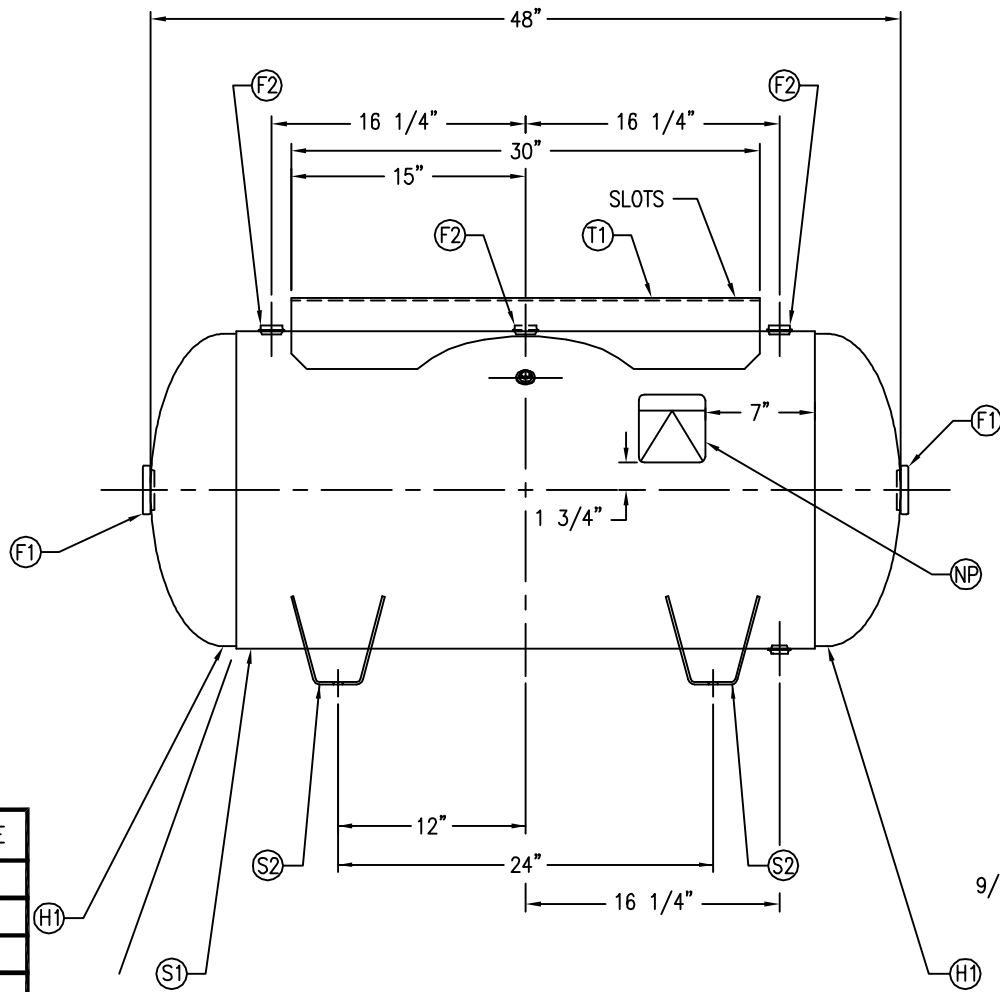


CODE/ADDENDA 2010/2011A APPROVED DP
 RELEASED FOR PRODUCTION Q.C. _____ DATE _____



FIND NO.	NPT SIZE
F1	2
F2	3/4
F3	1/2
F4	1/4

\\MTEFRATN.APPS\DWG\302

SYM	DATE	BY	REVISION	APP	XREF	REV.	NOTES	SPECIFICATIONS	
A		CM		DP	C819	C		I.D. 20	LGTH. 48
					C675	A		MAWP 200	PSI @ 650 °F
								RT-	MDMT -20 °F @ 200 PSI
								EXMT	TEST
								XRAY	W
								CRN	E7399.2C
								GAL 60	S.A. 22.6
								WT. 204#	CU.FT. 8.0
								CORR ALW	SH HD
								CODE: ASME SEC. VIII DIV. I,	LATEST EDITION & ADDENDA
								WELD DETAILS: M-1932	
								STD. TOLERANCES (UNLESS OTHERWISE NOTED): M-2461	
								DRAWN BY	DATE
								EGB	
								SCALE: NONE	
								DRAWING NO.	
								EGB	302474



HORIZONTAL AIR RECEIVER