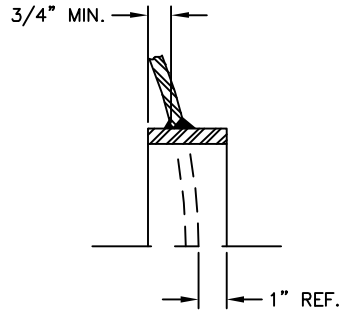
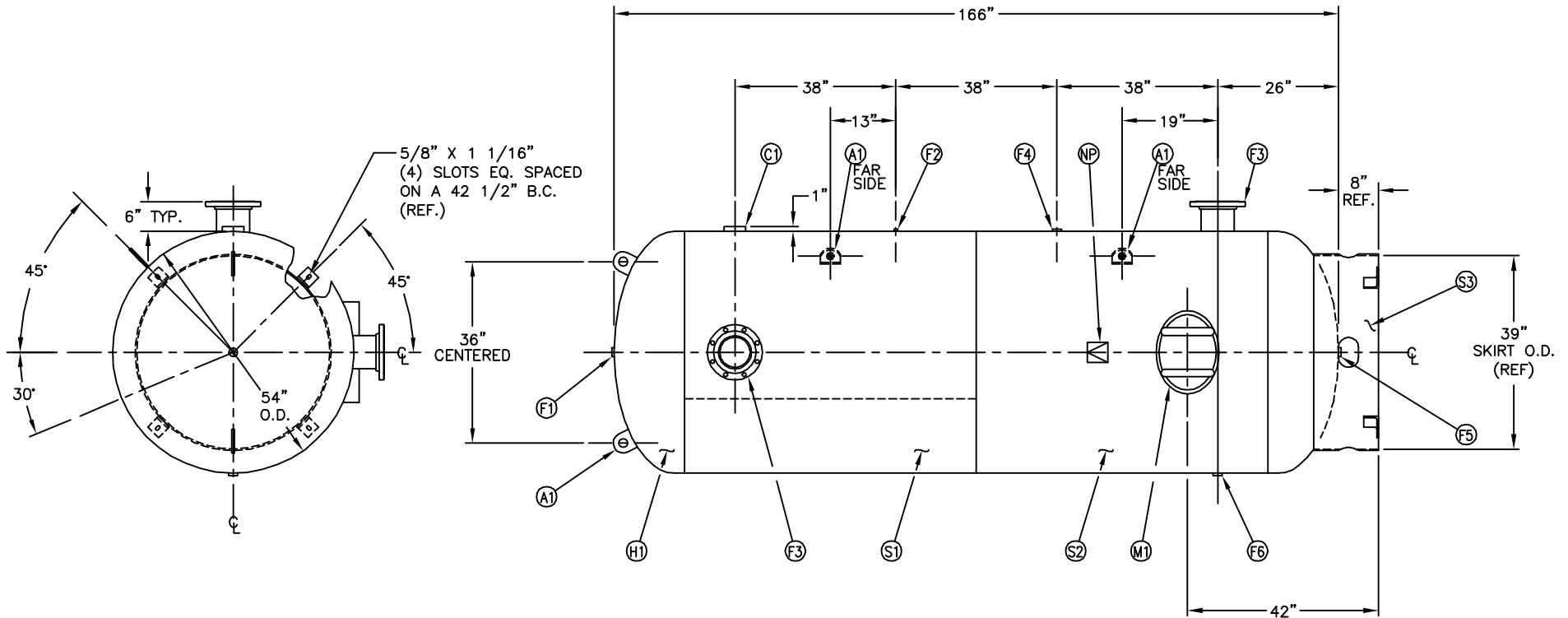


NOZZLE DETAIL



MANWAY DETAIL

NO.	QTY.	DESCRIPTION	SPEC	SUB-DWG.
S1	1			
S2	1			
H1	2			
C1	1	3"-NPT 3000# HALF COUPLING	SA-105	
F1	1	1"-NPT 1500# FLAT FLANGE	SA-181-70	
F2	1	1/4"-NPT 1500# FLAT FLANGE	SA-181-70	
F3	2	6" 150# ANSI RF.SO. FLANGE	SA-105	
F3	2	6" SCH.80 PIPE X 7 1/2" LONG	SA-106-C	
F3	2	.134 X 8 5/8" O.D. X 6 5/8" I.D. BACKING RING	C1008/SA-36	
F4	1	1"-NPT 1500# RADIAL FLANGE	SA-181-70	
F5	1	1 1/4"-NPT 1500# FLAT FLANGE	SA-181-70	
F6	1	1 1/4"-NPT 1500# RADIAL FLANGE	SA-181-70	
M1	1	12" X 16" X 1" X 4" 300# MANWAY	SA-106-C	
A1	4	3/4" X 5" X 5" STANDARD LIFT LUG		A84524
S3	1	STANDARD 8" SKIRT & CLIP ASSY. FOR 54" DIA. TANK		A85008
NP	1	ASME DATA PLATE	C1010	



SYM	DATE	BY	REVISION	APP	NOTES	SPECIFICATIONS	MANCHESTER TANK		
△		6/30		JR		O.D. 54 LGTH. 166 SH. MAT'L. MAMP 165 PSI @ 400 °F HD. MAT'L. RT- MDMT -20 °F @ 165 PSI GAL 1550 S.A. 207.90 EXMT UC20(f) TEST WT. 2600# CU.FT. 204.74 XRAY CORR ALW SH HD CRN PENDING CODE ASME SECT.VIII, DIV.1	Q:\3000		
		7/6		JR		PER DATE OF DWG/LAST REV	54" X 166" VERT. STANDARD AIR RECEIVER		
		1/9		JR		WELD DETAILS: M-1932 STD. TOLERANCES (UNLESS OTHERWISE NOTED): M-2461	DRAWN BY S. Skinner	DATE	SCALE: NONE
				J.R.			APP. BY J. Reed	DATE	DRAWING NO. 302446