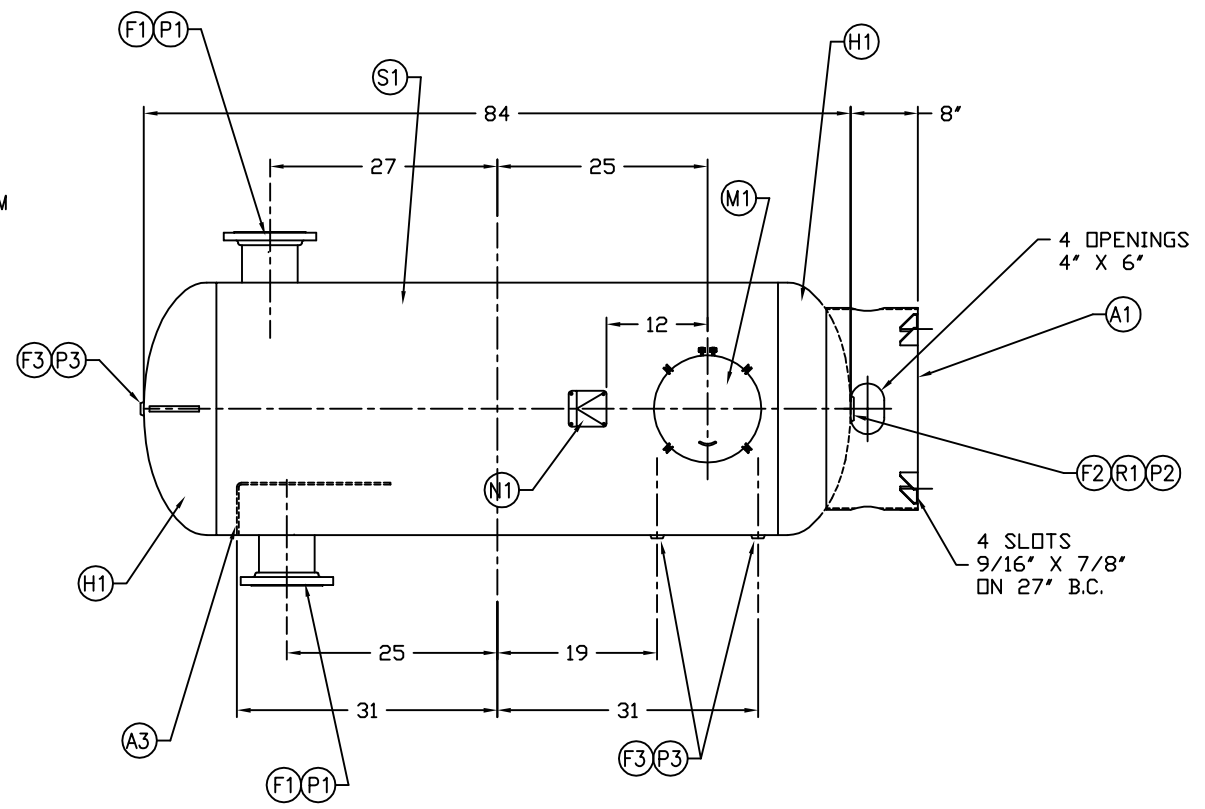
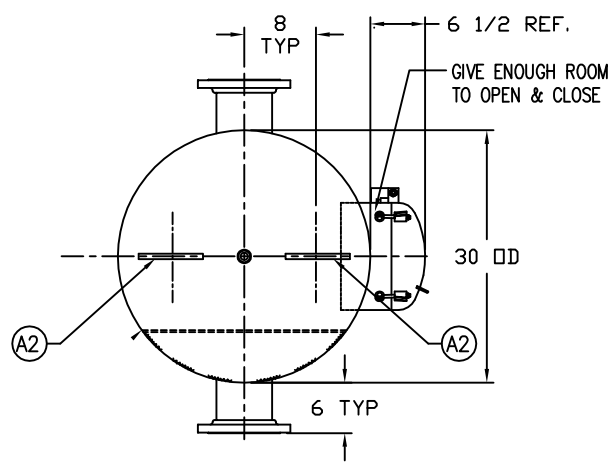


CODE/ADDENDA _____ APPROVED _____
 RELEASED FOR PRODUCTION
 Q.C. _____ DATE _____

NO.	QTY	SUB.DWG.	DESCRIPTION	
H1	2			
S1	1			
M1	1	A78363	HINGED CLOSURE 12.75 OD X .500	SA106-B
F1	2	A50206	RFSO ASSY 6" 150# SCH 40	SA106-C
F2	1		FLANGE: 2" NPT FLT	SA-181-70
F3	3		FLANGE: 1/2" NPT	SA-181-70
A1	2	A85002	BASERING ASSY FOR 30" TANK	AP.G
A2	1	A21300	LIFT LUG 1/2" X 9-1/2"	AP.G
A3	1	A78364	BAFFLE: .179 X 14 X 11 7/16	AP.G

NO.	QTY	SUB.SDWG.	DESCRIPTION	
N1	1		NAMEPLATE: ASME / NB	AP.G
P1	2		PLUG: 6" RFSO COVER	
P2	1		PLUG: 2" NPS HX HD (O-RING STYLE)	
P3	3		PLUG: 1/2" PLASTIC	
R1	1		O-RING FOR 2" FLANGE	



SYM	DATE	BY	REVISION	APP	NOTES	SPECIFICATIONS	MANCHESTER TANK		
					1 FULL VACUUM AT 566°F	O.D. 30 LGTH. 84 MAWP 150 PSI @ 566 °F CRN --- WELD DETAILS: M-1932 STD. TOLERANCES (UNLESS OTHERWISE NOTED): M-2461	VERTICAL VACUUM RECEIVER GAL. 240 S.A. WT. 750# CU.FT. FULL VACUUM AT 566°F CODE ASME SECT. VIII, DIV.1 PER DATE OF DWG/LAST REV		
							DRAWN BY	DATE	SCALE: NONE
							APP. BY	DATE	DRAWING NO. 300959