



**CLEMCO**  
The Performance  
System

## TECHNICAL DATA SHEET

*Note: For safe, efficient blasting, read and follow the owner's manual and seek training for everyone who will use this equipment.*

### Purpose

The Apollo 20 LP is designed for use with an ambient air pump. It meets OSHA standards for respiratory protection and noise limitations. The Apollo 20's full-helmet design and heavy-duty cape protect the blast operator's head, neck, shoulders, and chest from rebounding abrasive.

### Requirements for Operation

The following items are required or recommended for operation, but are not included with this respirator:

- An ambient air pump approved for use with respirators, capable of delivering 7 to 15 cfm of air at 8 to 12 psi
- 1/2-inch x 50-foot respirator hose from the ambient air pump to the helmet connection, stock no. 22510
- Protective clothing, gloves, and shoes suitable for a heavy construction site
- Primary hearing and eye protection
- Output from the ambient air pump must meet the standard for Grade D breathing air, as defined by the Compressed Gas Association, Commodity Specification: G-7.1 ([www.cganet.com](http://www.cganet.com))

### Description of Operation

The Apollo 20 is a single-shell construction helmet supported by an adjustable suspension. The DLX comfort-fit suspension (2 sizes) surrounds the operator's head with comfortable padding. A chin strap holds the helmet firmly in place. The rectangular window provides a clear field of view. An inner fixed lens and one middle lens seal out dust and abrasive.

Up to three lightweight, disposable outer lenses, held in place by a hinged frame, protect the middle lens from pitting. As the outermost disposable lens becomes pitted, it can be torn off to expose the next lens.

### Description

The Apollo 20 LP is a Type CE, continuous flow, supplied-air respirator with Constant-Flow Connector for abrasive blasting, to be used with an ambient air pump. The bright green helmet has a box-front window, and a protective cape. The Apollo 20 comes standard with DLX comfort-fit suspension.



The Apollo 20 LP comes with a Constant-Flow Connector that provides a fixed flow of air. It is engineered for flow settings as specified by NIOSH.

A flexible breathing tube between the Constant-Flow Connector and the helmet allows free movement of the operator's head. This tube contains specially formulated sound-deadening materials that help the respirator comply with 80 dBA maximum noise level while allowing free air flow. For maximum protection while blasting, the operator must wear ear plugs or other suitable hearing protection and safety glasses or goggles.

The air enters the helmet at the rear, travels through a sound-attenuating distribution system at the top, and circulates about the operator's face. The incoming air maintains slightly positive pressure inside the helmet, so exhaled air exits via the knit collar. Maintaining positive pressure inside the helmet helps keep out the potentially harmful dust and abrasive.

## Apollo 20 LP Supplied-Air Respirator

For use with  
ambient-air pump

### Advantages

- Requires no compressor, breathing air filter, or CO monitor
- DLX comfort-fit suspension
- Box-front window features economical replacement lenses
- Sound-attenuating, air-distribution channel
- Lightweight construction
- Molded-in carrying handle
- Allows operator to wear supplementary hearing and primary eye protection

### Approvals and Certifications

The Apollo 20 LP helmet is a NIOSH-approved type CE respirator (approval number TC-19C-339) and is recognized by OSHA as having an assigned protection factor (APF) against lead dust of 1000 times the permissible exposure limit (PEL).

**NOTE: Prior to use, ensure that the Apollo, type CE, supplied-air respirator is appropriate for your specific blasting conditions and requirements.**

## Respirator Systems and Accessories

Item	Description	Stock No.
(-)	Apollo 20 LP DLX w/Constant-Flow Connector, without respirator hose .....	21299
(-)	Apollo 20 L, DLX w/Constant-Flow Connector and 1/2" x 50' respirator hose .....	21423
(-)	High pressure conversion kit. Converts LP helmet to HP helmet .....	22690
(-)	Comfort Vest with Clem-Cool .....	25266
(-)	DLX Suspension Kit (for replacement or conversion to DLX style) .....	25215

## Options and Accessories

Heavy-duty blast suit (leather front, cotton back)

S	M	L	XL	XXL	XXXL
08920	08921	08922	08923	24201	24202

Light-weight seasonal blast suit (nylon front, cotton back)

S	M	L	XL	XXL	XXXL
22913	22914	22915	22916	22917	25022

Leather gloves .....

## Packaging

### Respirator

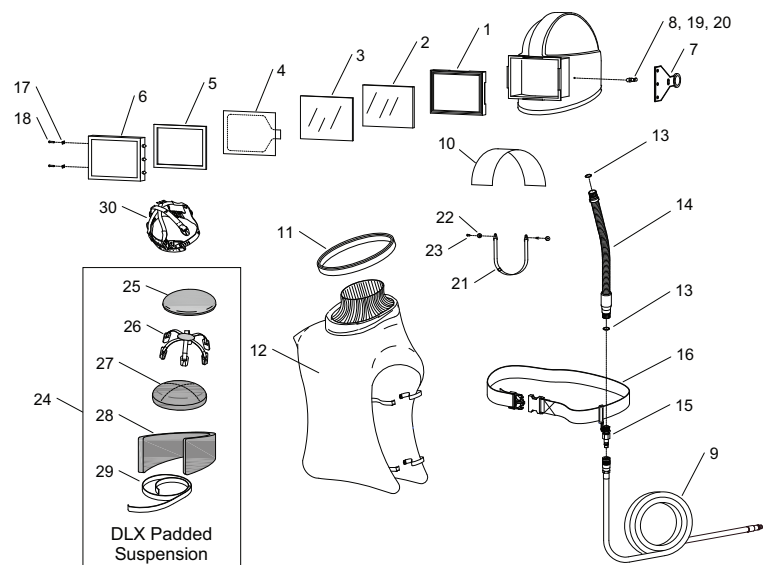
Stock No.	Dimensions	Weight
21299	14-1/2" x 13" x 15"	8 lb

### Respirator Hose (Bagged)

Stock No.	Dimensions	Weight
22510	Respirator hose 1/2" x 50ft Approximate 17-1/2" x 17-1/2" x 4"	11 lb
21413	Respirator hose 1/2" x 100ft Approximate 17-1/2" x 17-1/2" x 6"	22 lb

## Replacement Parts

Item	Description	Stock No.
1.	Gasket, molded window .....	99996
2.	Inner lens, 4-5/8" x 6-5/8" nom., .125" package of 5 .....	21409
3.	Middle lens, 5" x 7" nom., .094" package of 5 .....	21410
4.	Cover lens, perforated, .0075" package of 25 .....	21411
5.	Gasket, lens frame .....	21041
6.	Lens frame .....	20976
7.	Latch, lens frame, rubber .....	21298
8.	Button, latch .....	21040
9.	Respirator hose, 1/2" x 50 ft. (alternate) .....	22510
	1/2" x 100 ft. (alternate) .....	21413
10.	Partition, air baffle .....	21118
11.	Cape attachment strap .....	10534
12.	Cape with inner collar .....	21301
13.	O-Ring, 7/8" OD, 2 required .....	22815
14.	Breathing tube assembly includes two of item 13 .....	22811
15.	Constant-flow connector, LP w/o belt .....	21429
16.	Belt, 2" web with buckle .....	04430
17.	Nut, lens frame, 2 required .....	90041
18.	Screw, lens frame, 2 required .....	90295
19.	Screw, 8-32 x 1/2" for latch, 2 required .....	21402
20.	Screw, 8-32 x 1" for latch, 2 required .....	21403
21.	Chin Strap .....	04460
22.	Chin strap holder, 2 required .....	21696
23.	Screw, 8-32 x 1/2" Ph Hd, 2 required .....	21119
24.	DLX padded suspension kit includes items 25 thru 29 .....	25215
25.	Pad, top .....	25216
26.	Suspension web .....	25219
27.	Pad, middle .....	25182
28.	Pad, side .....	25218
29.	Hook-fastener tape, 1" adhesive backed, 2-ft. used, specify feet required .....	25185
30.	Web suspension w/sweatband (alternate) .....	10532
	Apollo 20 LP Owner's Manual .....	21991



**Apollo 20 LP**

Authorized Distributor:

ISO 9001:2000 certified. Clemco is committed to continuous product improvement. Specifications are subject to change without notice.

© 2009 Clemco Industries Corp. • One Cable Car Drive • Washington, MO 63090 • Phone (636) 239-4300 • Fax (800) 726-7559

Stock No. 21960

www.clemcoindustries.com

Job No. 1195-1295 • Rev. E; 04/09