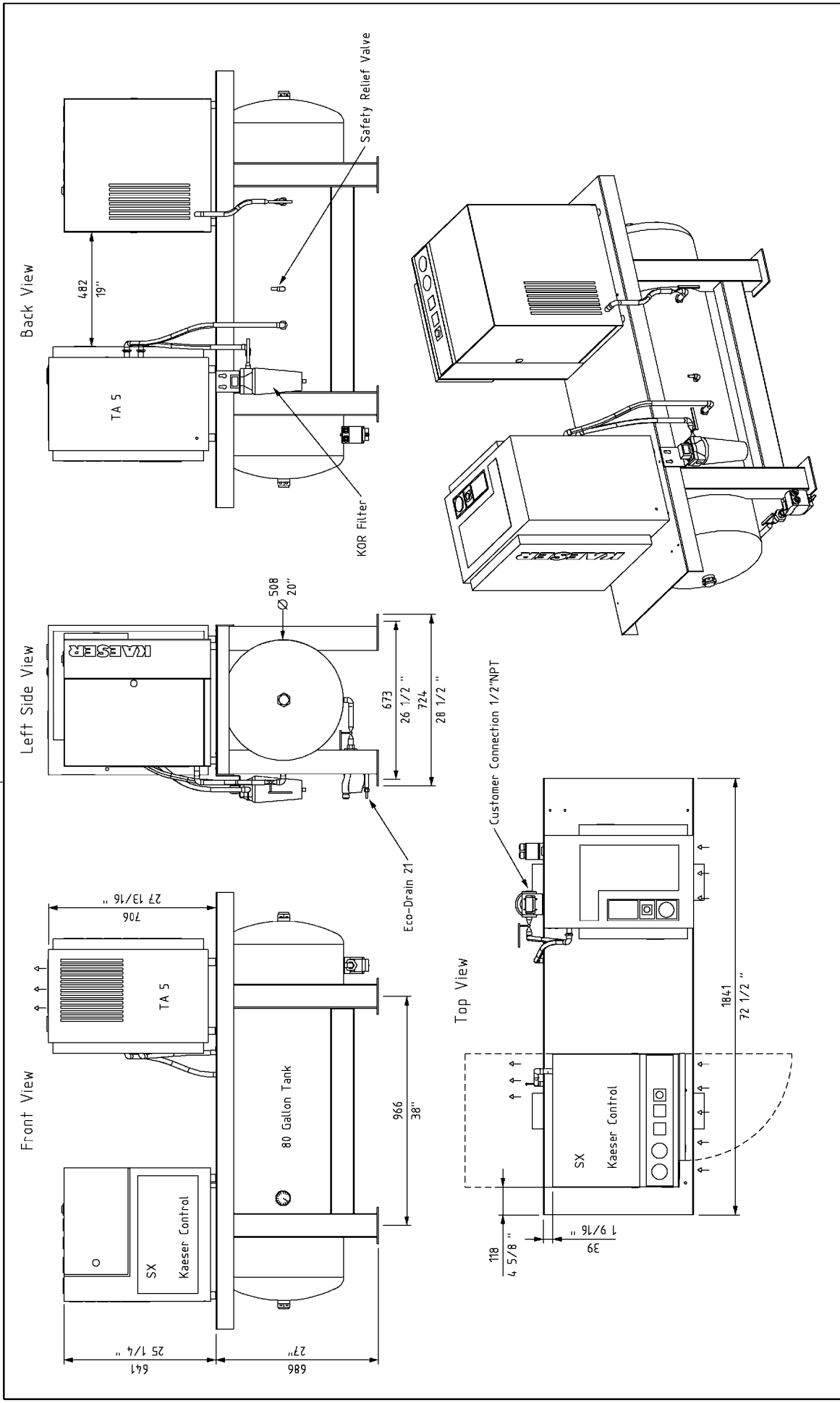


This drawing is our property and may not be copied in any way or passed to third parties without our prior written permission.



KAESER
COMPRESSORS

SX Simplex
 TA Dryer, Optional KØR Filter and Eco-Drain Z1
 Drawing #: TD 858
 Revision: A

Ref no.: Part no.:	Date: March 5, 2002 Drawn by: KEMPH Approved by: ANDERSON
-----------------------	---

All Dimensions are $\frac{\text{mm}}{\text{In}}$	Page 1
--	--------

We reserve the right to make changes in the course of development. This drawing can only be modified with CAD.