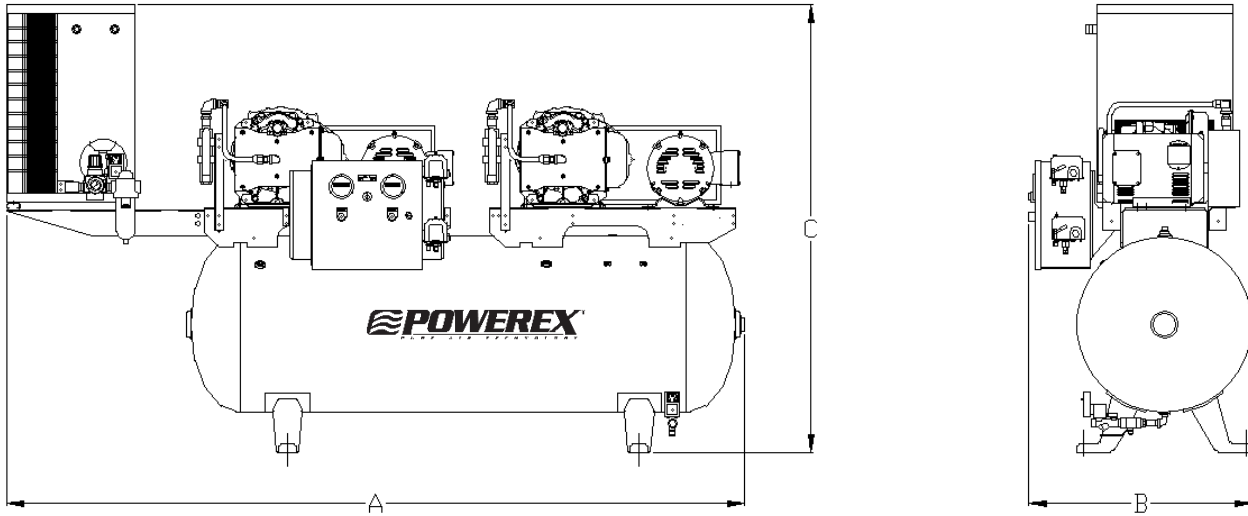
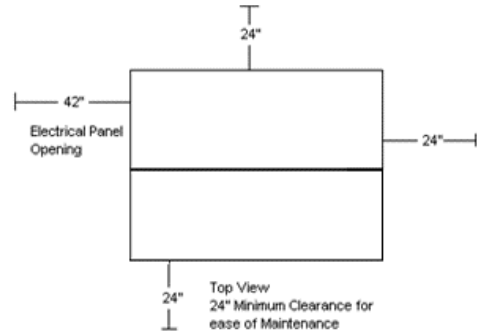




Dimensions				
Model	Dim. A	Dim. B	Dim. C	Outlet
STD0303	84"	26"	51"	1/2"
STD1303	84"	26"	51"	1/2"
STD0503	84"	26"	51"	1/2"
STD1513	84"	26"	51"	1/2"
STD0504	87"	28"	55"	1/2"
STD1514	87"	28"	55"	1/2"



Tankmount Scroll Air Compressors											
Model	Total System HP	Pump HP <sup>1</sup>	SCFM @ 100 PSIG <sup>3</sup>	Maximum Pressure (PSIG) <sup>3</sup>	Tank Size (gal)	BTU/Hr	dB(A) Level	System F.L.A.			System Weight (lbs)
								208V	230V	460V	
STD0303	6	3 (2)	17.6 (14.2)	116 (145)	80	15,270	75	17.5	15.8	7.9	660
STD1303	6	3 (2)	17.6 (14.2)	116 (145)	80	15,270	75	34.1*	32.4	-	660
STD0503	10	5 (2)	30.4 (25.0)	116 (145)	80	25,450	75	28.4	25.9	12.9	680
STD1513	10	5 (2)	30.4 (25.0)	116 (145)	80	25,450	75	48.4	46.4	-	680
STD0504	10	5 (2)	30.4 (25.0)	116 (145)	120	25,450	75	28.4	25.9	12.9	760
STD1514	10	5 (2)	30.4 (25.0)	116 (145)	120	25,450	75	48.4	46.4	-	760

Notes:

- 1 – Actual BHP is less than rated name plate. Contact Powerex for BHP rating.
- 2 – 3 Year Limited Warranty
- 3 – Systems are available with high pressure option. Values for system with high pressure option added are indicated in parentheses.
- \*System is usable at 208 volts, but should not be used at any value below that voltage.