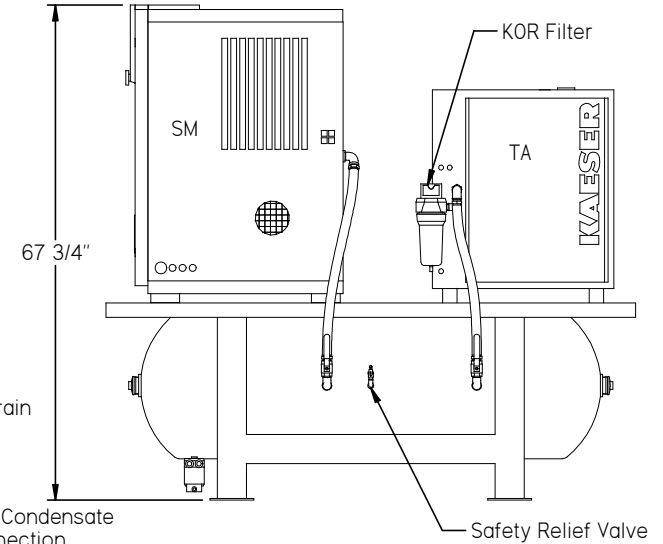
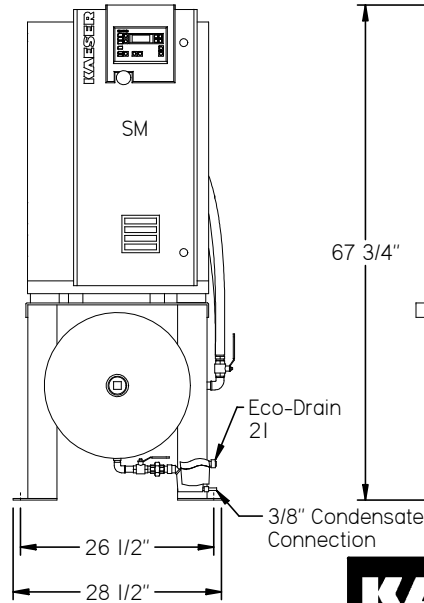
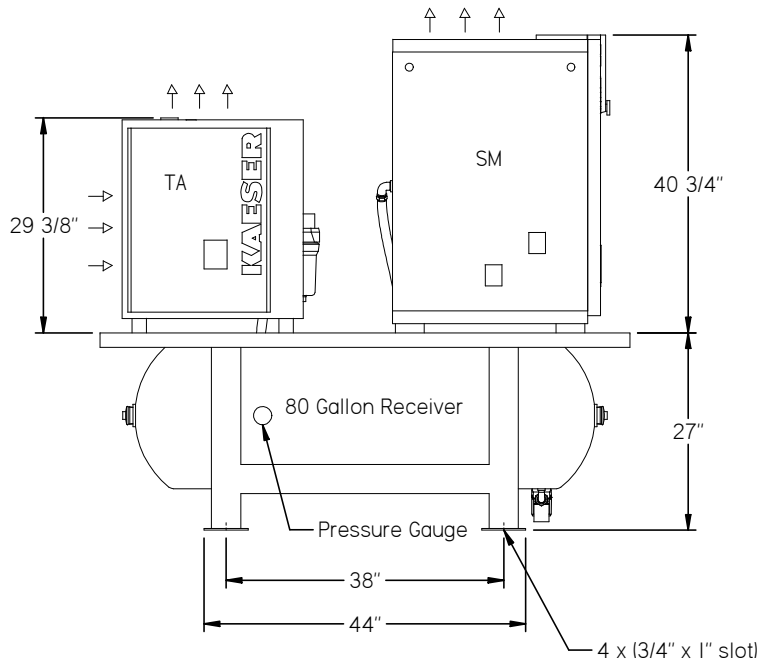
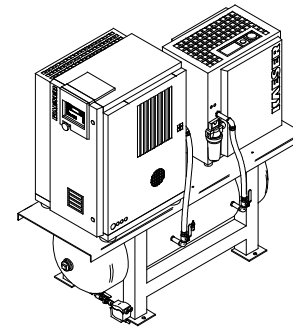
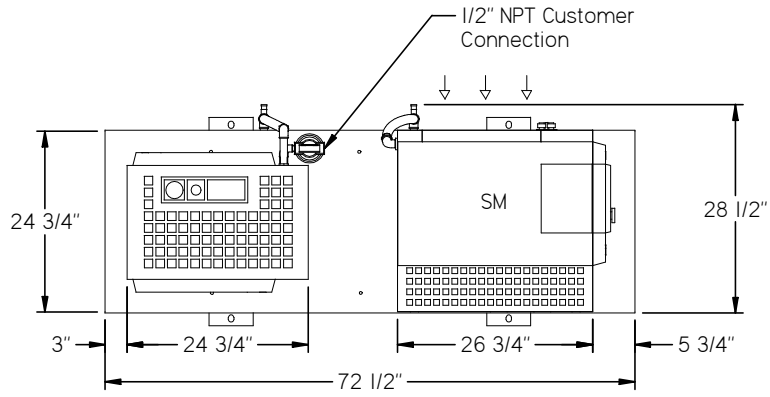


Drawings remain our exclusive property. They are entrusted only for the agreed purpose. Copies or any other reproduction, including storage, treatment and dissemination by use of electronic systems must not be made for any other than the agreed purpose. Neither originals nor reproductions may be given to or made available to third parties.



\*Package shown with optional features

All Dimensions are in inches

Ambient Temperature  
 min: 40°F  
 max: 115°F

**KAESER**  
**COMPRESSORS**

P + I  
 Inst.  
 X

Scale  
 1:20

	Date	Name
Drawn	11/17/2006	kemph
Checked	11/17/2006	chaudhry

Name **SM Simplex**  
 TA Refrigerated Dryer, 80 Gallon Receiver  
 Optional Filter, and Condensate Drain

Plan No.  
**LYUS0006200**  
 Page 1 of 1

We reserve the right to make changes in the course of development. This drawing can only be modified with CAD