

## Effortless Hopper Gate Opening

The POGO Electric is designed to be suspended from an I or H beam. A telescoping shaft equipped with a special heat treated bit is inserted into the capstan. Once inserted the drive motor will open or close the hopper gate quickly and smoothly. Heavy duty jack screws allow the operator to accurately raise and lower the shaft to align with the capstan. The whole machine rolls effortlessly along the I or H beam to allow easy alignment. A double swivel plate at the top of the machine allows the operator to rotate the telescoping shaft out of the way of the locomotive when spotting cars.

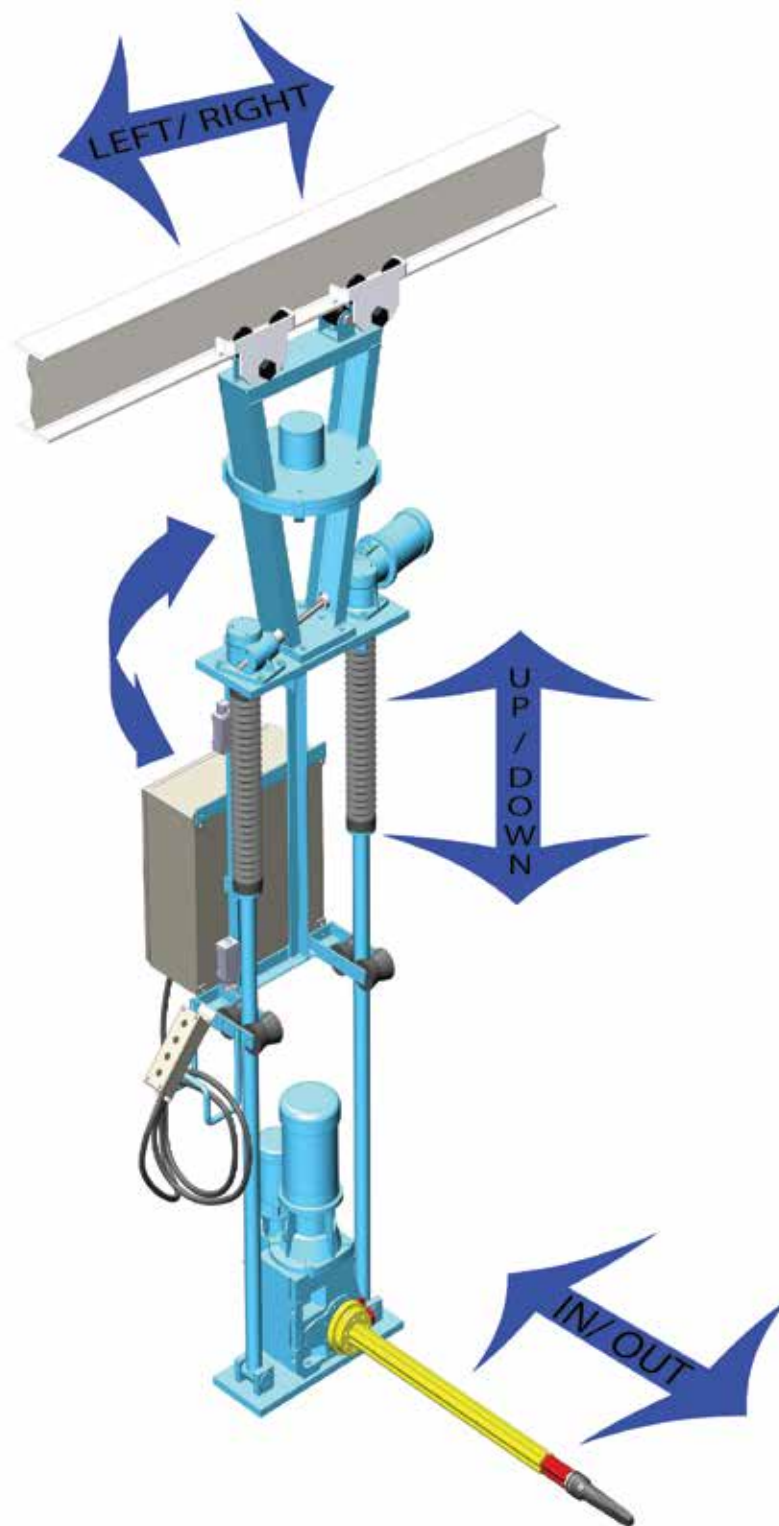
## Operator Flexibility

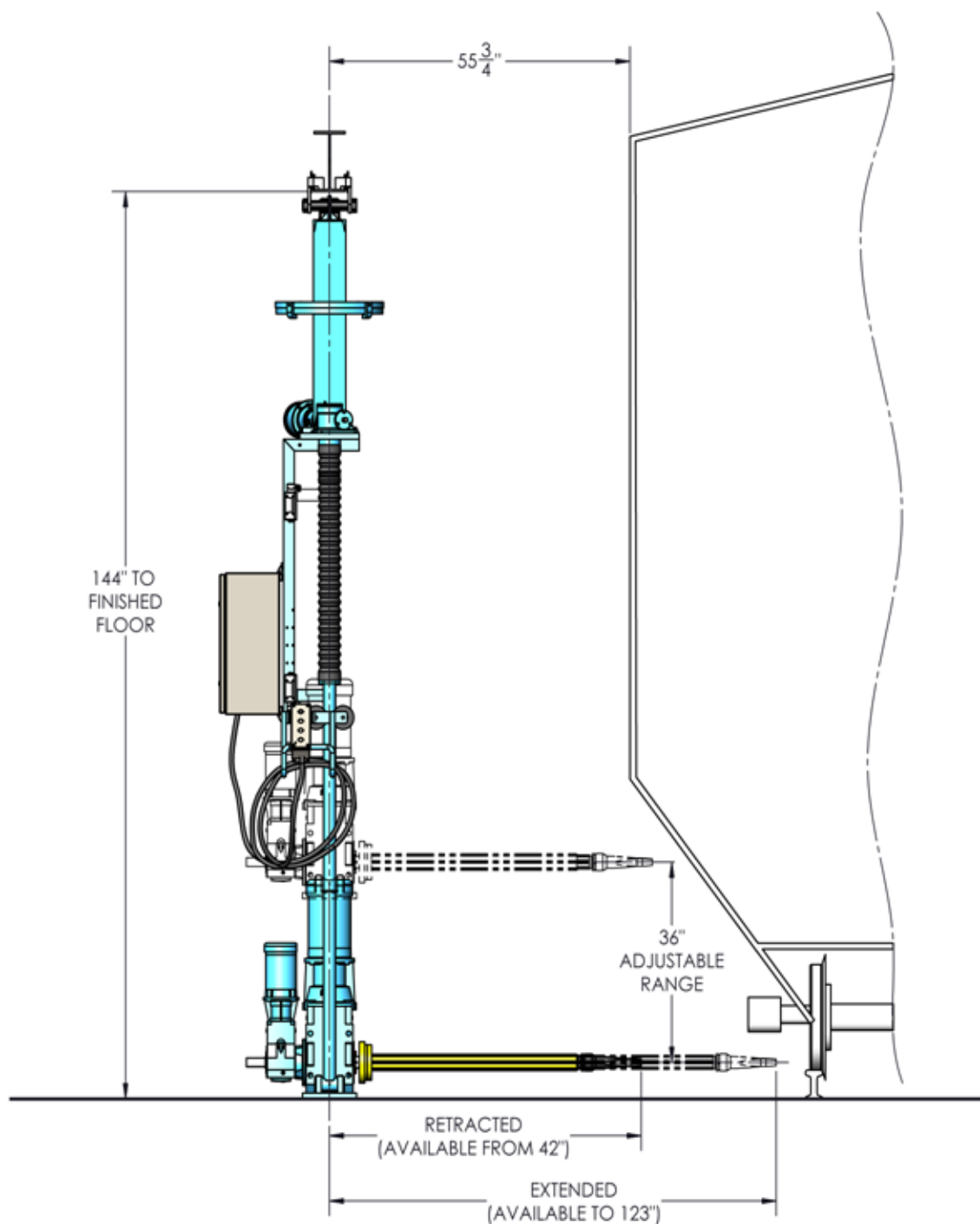
The POGO Electric has been designed so that the operator can perform all functions from a standing position saving them from the backbreaking task of manually opening hopper gates. A pendant control with a 10ft cord is provided to allow the operator to move freely about the machine.

## Powerful and Dependable

Power is delivered from a 5HP TEFC electric motor through a helical-bevel reducer providing a massive amount of torque. Separate TEFC motors drive the telescoping shaft and jack screws. The telescoping shaft is designed to be easily removable for service. All wear areas are protected with bellows or covers for harsh environments. An explosion proof option is also available.

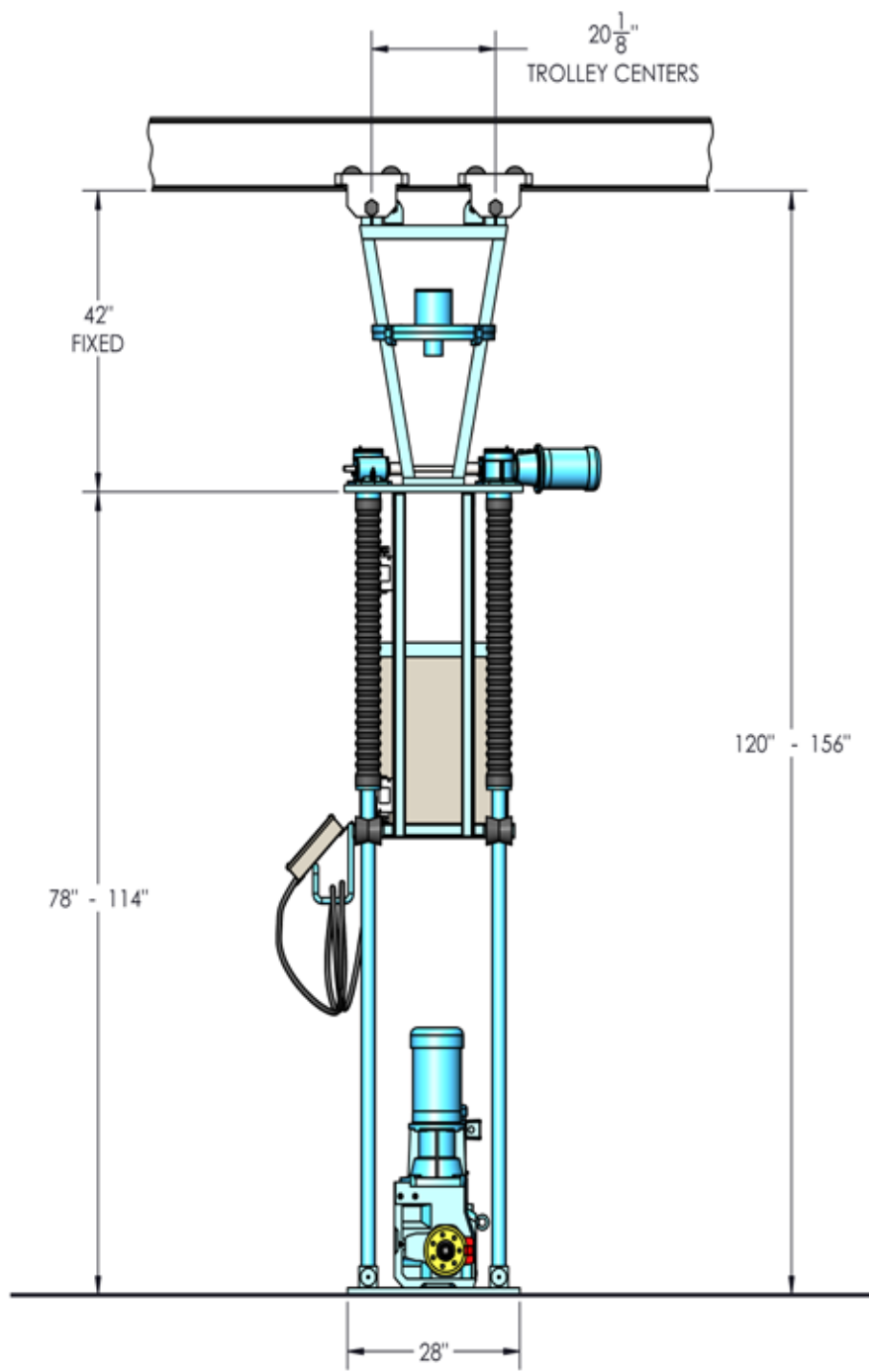


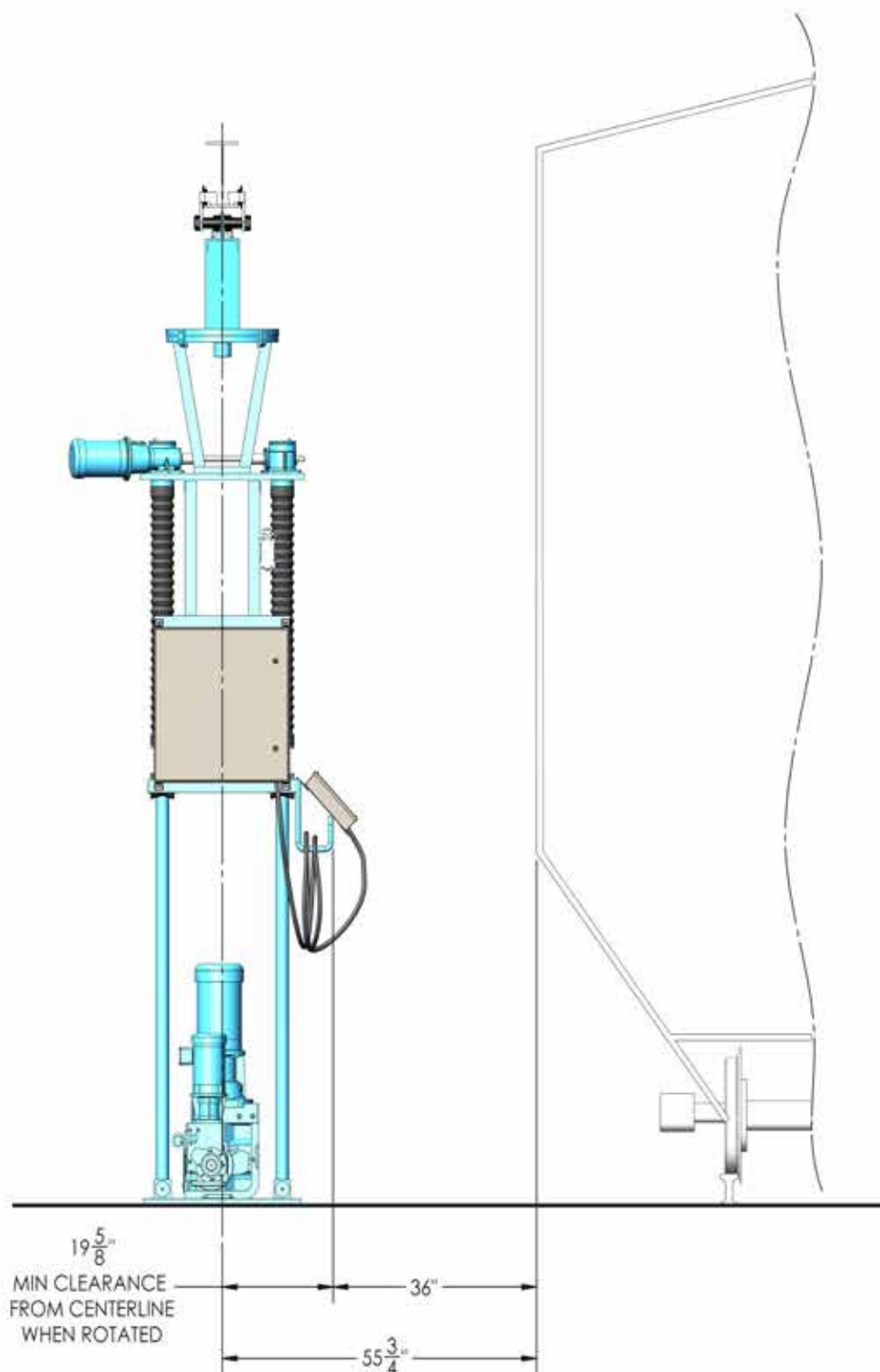




**Compressed Air Systems, Inc.**  
9303 Stannum Street  
Tampa, FL 33619-2658

[www.compressedairsystems.com](http://www.compressedairsystems.com)  
P: 800.881.1942 | F: 813.628.0187  
Email: [info@compressedairsystems.com](mailto:info@compressedairsystems.com)





**Compressed Air Systems, Inc.**  
9303 Stannum Street  
Tampa, FL 33619-2658

[www.compressedairsystems.com](http://www.compressedairsystems.com)  
P: 800.881.1942 | F: 813.628.0187  
Email: [info@compressedairsystems.com](mailto:info@compressedairsystems.com)

## Performance

Torque	Adjustable up to 2,000 ft-lbs
Rotation Speed	18 rpm
Weight	1530 lbs
Operator Range	10 ft.

## Travel Ranges

Up / Down	36 in. adjustable
Telescoping Shaft In / Out	Configurable up to 44 in. Range
Rotation	360 degrees
Left / Right	Full length of beam

## Beam Size

Beam Flange Width *	3 <sup>1</sup> / <sub>4</sub> in. to 8 in.
Minimum Beam Height *	4 in.
Machine Weight	1530 lbs

## Beam Placement

Height	144 in. above finished floor
Centerline Offset	45 to 115 in. from capstan

## Electrical

Voltage	460
Phase	3
Hz	60
Recommended Breaker	20 amp minimum



Compressed Air Systems, Inc.  
9303 Stannum Street  
Tampa, FL 33619-2658

www.compressedairsystems.com  
P: 800.881.1942 | F: 813.628.0187  
Email: info@compressedairsystems.com